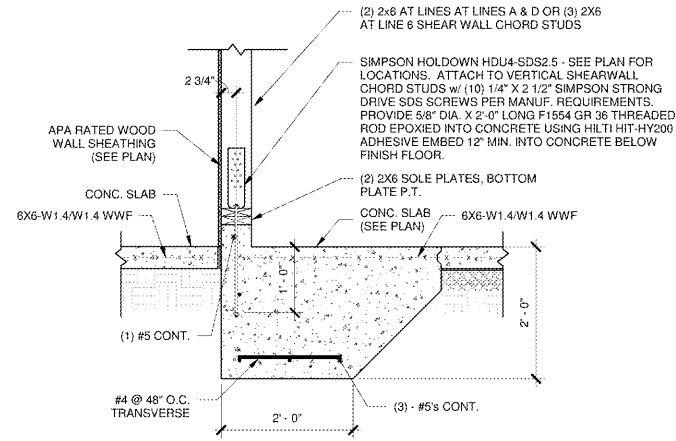
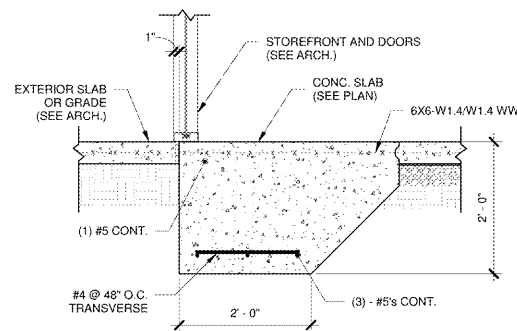


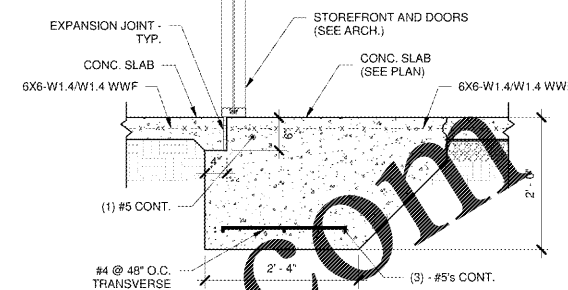
1 EXTERIOR WALL FOOTING
S2.1 3/4" = 1'-0"



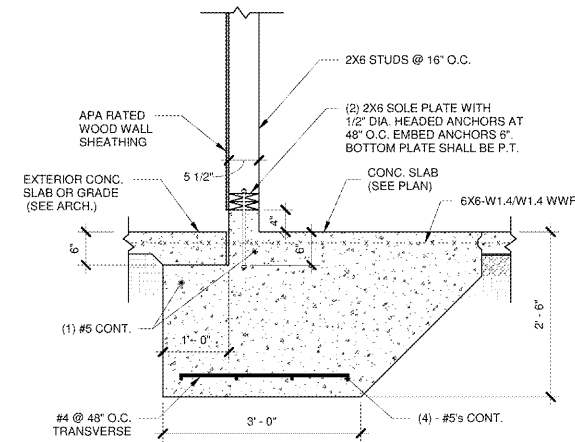
2 SHEAR WALL HOLDOWN DETAIL
S2.1 3/4" = 1'-0"



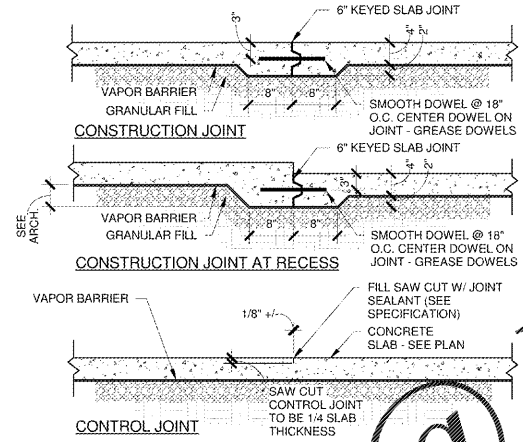
3 TURN DOWN AT STOREFRONT
S2.1 3/4" = 1'-0"



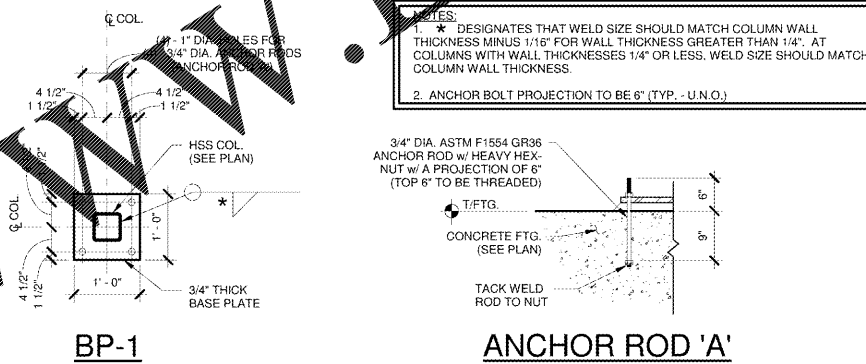
4 TURN DOWN AT DOOR
S2.1 3/4" = 1'-0"



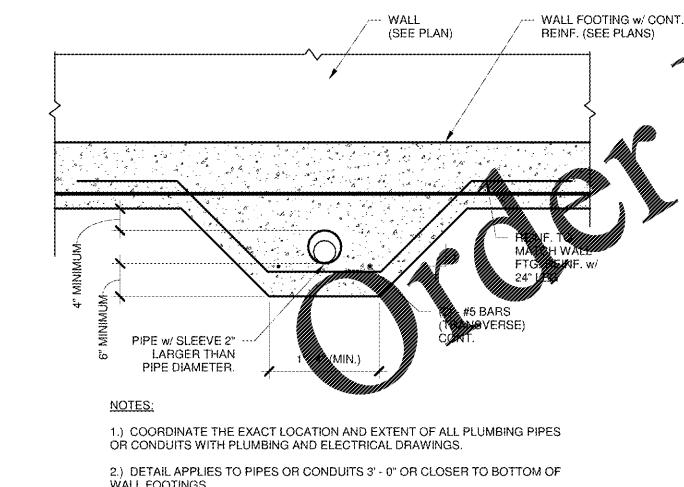
5 EXTERIOR WALL FOOTING 3
S2.1 3/4" = 1'-0"



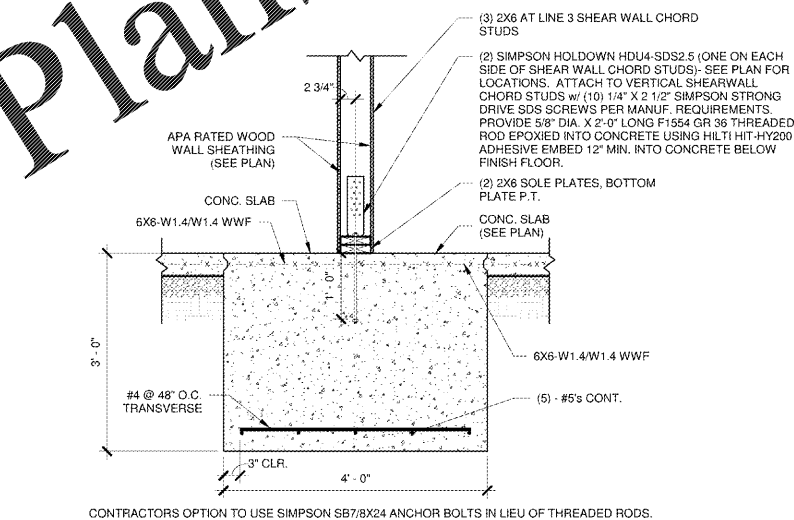
6 SLAB JOINT DETAILS
S2.1 3/4" = 1'-0"



7 TYPICAL BASE PLATE AND ANCHOR ROD DETAILS
S2.1 3/4" = 1'-0"



8 PIPE UNDER WALL FOOTING
S2.1 3/4" = 1'-0"



9 SHEAR WALL HOLDOWN DETAIL 2
S2.1 3/4" = 1'-0"

NOTES:
1. * DESIGNATES THAT WELD SIZE SHOULD MATCH COLUMN WALL THICKNESS MINUS 1/16\"/>

Order Plans @ WWW.I.DILine.com



CHIPOTLE AT CARTERSVILLE
E. MAIN STREET
CARTERSVILLE, GA 30121

REVISIONS

FOUNDATION SECTIONS & DETAILS

DATE: 09/16/20
PROJECT NUMBER: 19303

SHEET NUMBER: S2.1