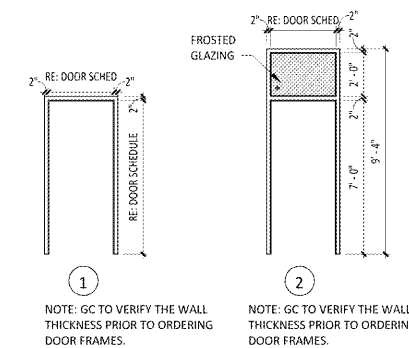


SET 1 - MAIN ENTRY - PAIR - WOOD PULL/PUSH	
(2)	HINGE HAGER, MODEL 780-224HD-83"-CLR
(2)	MORTISE CYLINDER SCHLAGE, MODEL 80-103, BRUSHED CHROME; C.O. CYLINDER AT 34" MIN. FROM BOTTOM OF DOOR
(2)	TEMP CORE SCHLAGE, MODEL 80-035 INTERCHANGEABLE CORE, (BRUSHED CHROME)
(2)	PUSH HARDWARE 1 1/2" DIAMETER WOOD PUSH, VARIES HIGH - PROVIDED BY MILLWORK SUPPLIER. MOUNT TOP OF PULLS FLUSH WITH TOP OF GLAZING STOP IN DOOR, RE: SHOP DRAWINGS
(2)	PULL HARDWARE 1 1/2" DIAMETER WOOD PULL, VARIES HIGH - PROVIDED BY MILLWORK SUPPLIER. MOUNT TOP OF PULLS FLUSH WITH TOP OF GLAZING STOP IN DOOR, RE: SHOP DRAWINGS
(1)	DEADBOLT ADAMS RITE, MODEL MS18505-310-628
(1)	EXIT INDICATOR ADAMS RITE, MODEL 4089-00-130
(1)	HEADER BOLT ADAMS RITE, MODEL 4016-30-01
(1)	THRESHOLD BOLT ADAMS RITE, MODEL 4015-18-1B
(2)	CLOSER DORMA, MODEL 8916-AF89P-689 (TOP JAMB), (ALUMINUM)
(2)	DOOR STOP IVES, MODEL FS18S (ALUMINUM)
(2)	OVERHEAD STOP GLYNN-JOHNSON, MODEL 4545-SP28 (ALUMINUM)
(2)	CLOSER BACK PLATE DORMA, MODEL BP89, ALUMINUM
(1)	THRESHOLD REESE, MODEL S239A-72 (SIZE 72")
(2)	SMOKE SEAL REESE, MODEL 7978-21
(2)	DOOR SWEEP PEMKO, MODEL SFSC-200-36 (36" DOOR), OWNER FURNISHED

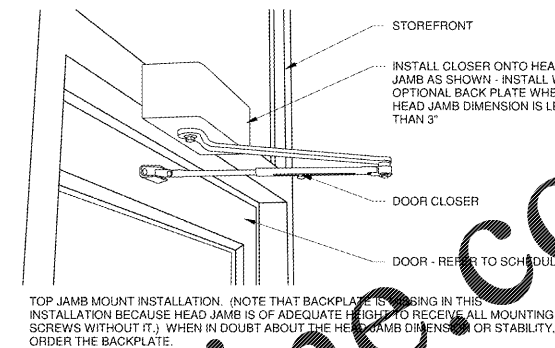
SET 2 - ENTRY - SINGLE - NON-OFFSET - PANIC HARDWARE	
(1)	HINGE HAGER, MODEL 780-224HD-83"-CLR
(1)	PUSH HARDWARE ADAMS RITE, MODEL 8801-36-628 (ALUMINUM FINISH, 36" DOOR); C.O. EXIT DEVICE AT 38" FROM BOTTOM OF DOOR
(1)	PULL HARDWARE HIAWATHA, MODEL 5358-32D (8" OVERALL)
(1)	CLOSER DORMA, MODEL 8916-AF89P-689 (TOP JAMB), (ALUMINUM)
(1)	CLOSER BACK PLATE DORMA, MODEL BP89, ALUMINUM
(1)	OVERHEAD STOP GLYNN-JOHNSON, MODEL 4545-US32D (ALUMINUM)
(1)	THRESHOLD REESE, MODEL S424A-36 (SIZE 36")
(1)	SMOKE SEAL REESE, MODEL 7978-21
(1)	DOOR SWEEP PEMKO, MODEL SFSC-200-36 (36" DOOR), OWNER FURNISHED
(1)	DOOR STOP IVES, MODEL FS18S (ALUMINUM)

SET 3 - REAR EXIT - SINGLE	
(1)	HINGE HAGER, MODEL 780-224HD-83"-CLR
(1)	PUSH HARDWARE FALCON, MODEL 25-R-EO-4"-US28 (SIZE 42")
(1)	PULL HARDWARE FALCON, MODEL 510L-DANE-LHR-US26D, ALUMINUM (EXTERIOR SIDE)
(1)	RIM CYLINDER GLS, MODEL RCIC-7-LZ-626
(1)	TEMP CORE SCHLAGE, MODEL 80-035 INTERCHANGEABLE CORE (FINISH: BRUSHED CHROME)
(1)	CLOSER DORMA, MODEL 8916-AF89P-689 (TOP JAMB), ALUMINUM
(1)	CLOSER BACK PLATE DORMA, MODEL BP89, ALUMINUM
(1)	THRESHOLD REESE, MODEL S239A-42, (SIZE 42")
(1)	WEATHERSTRIP REESE, MODEL D575C-4070
(1)	DOOR SWEEP PEMKO, MODEL SFSC-200-42 (42" DOOR) (BLACK) OWNER FURNISHED
(1)	DOOR VIEWER IVES, MODEL U698B26D, C.G. VIEWER AT 60" FROM BOTTOM OF DOOR
(1)	EXIT ALARM TRINE, MODEL 206-3
(1)	DOOR SILENCERS IVES, MODEL SR64
(1)	DOOR BUZZER TRINE, MODEL 240
(1)	KICKPLATE HIAWATHA, MODEL KP834-US32D

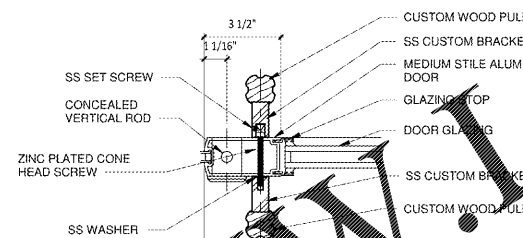
TAG	ROOM	DOOR			DOOR			FRAME			HARDWARE SET	REMARKS
		WIDTH	HEIGHT	THICKNESS	DOOR TYPE	DOOR FINISH	FRAME TYPE	MATERIAL	STYLE			
1	MAIN ENTRY	6'-0"	7'-0"	0'-1 3/4"	A						1	
2	SIDE ENTRY	3'-0"	7'-0"	0'-1 3/4"	A						2	
3	KITCHEN	3'-6"	7'-0"	0'-1 3/4"	D						3	



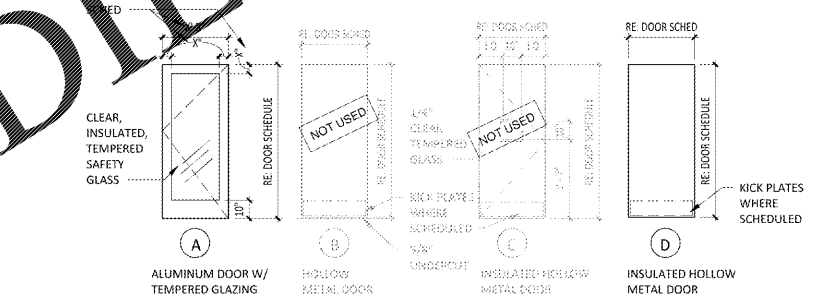
9 DOOR FRAME TYPES
A6.1 1/4" = 1'-0"



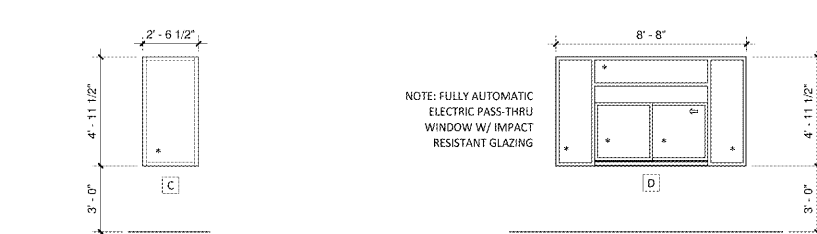
8 DOOR CLOSER
A6.1 1/4" = 1'-0"



7 CUSTOM WOOD PULL
A6.1 1/4" = 1'-0"



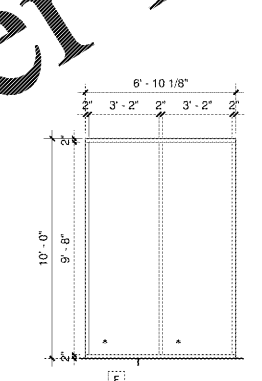
6 DOOR TYPES
A6.1 1/4" = 1'-0"



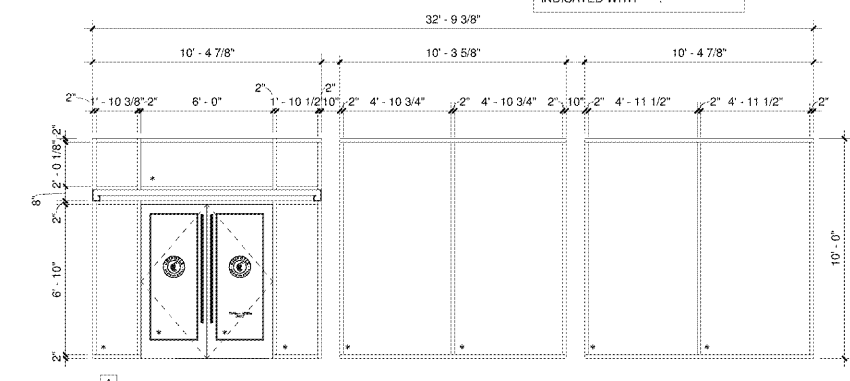
5 STRFRNT ELEV
A6.1 1/4" = 1'-0"

4 STRFRNT ELEV
A6.1 1/4" = 1'-0"

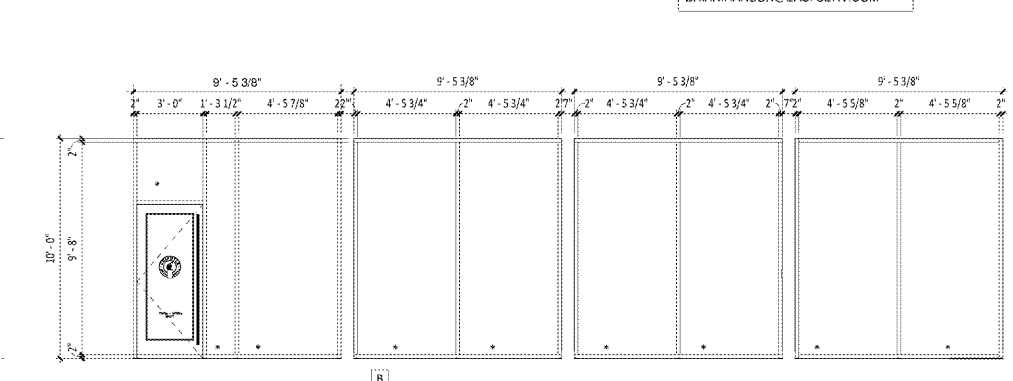
GENERAL NOTE:
WINDOW AND DOOR GLAZING TO BE TEMPERED AT LOCATIONS INDICATED WITH " * ".



3 STRFRNT ELEV
A6.1 1/4" = 1'-0"



2 STRFRNT ELEV
A6.1 1/4" = 1'-0"



1 STRFRNT ELEV
A6.1 1/4" = 1'-0"

Order Plans @ WWW.IDIline.com

ROBERTSON LOIA ROOF ARCHITECTS & ENGINEERS
3460 Preston Ridge Road, Suite 275, Alpharetta, GA, 30005
770.674.2600 / www.rlric.com



CHIPOTLE AT CARTERSVILLE
405 E. MAIN STREET
CARTERSVILLE, GA 30121

REVISIONS

DOOR SCHEDULES & DETAILS

DATE: 12/30/20

PROJECT NUMBER: 19303

SHEET NUMBER: A6.1