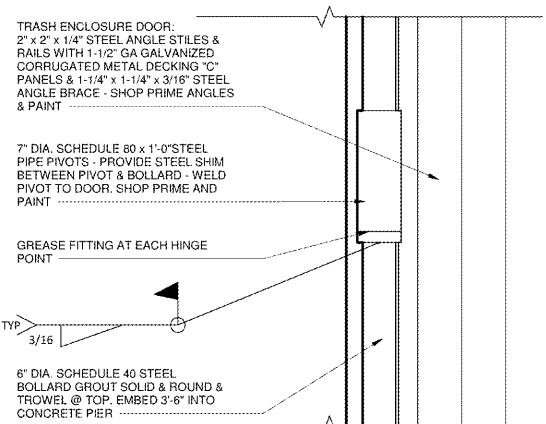
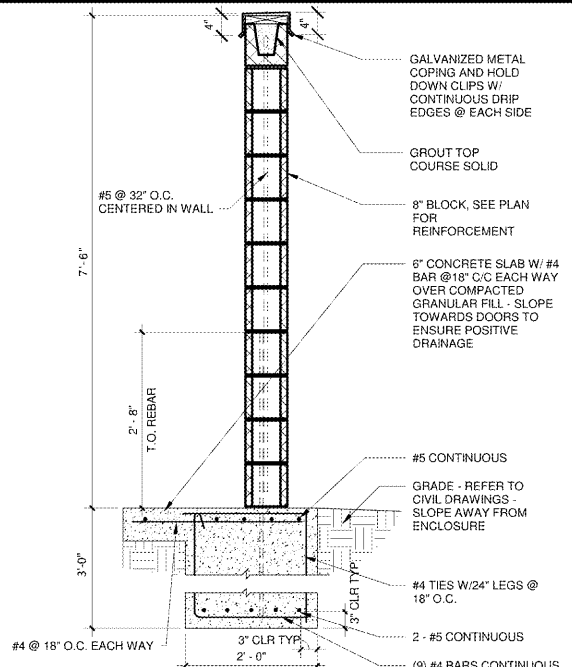


DUMPSTER ENCLOSURE FINISH SCHEDULE

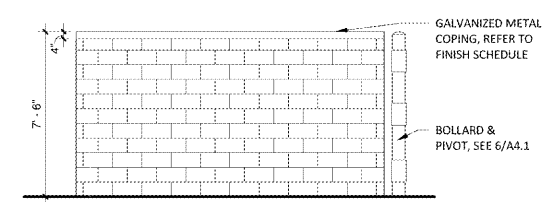
MATERIAL	COLOR/FINISH
CMU - PRIMER	REFER TO PAINT SPECIFICATIONS, COLOR WHITE
CMU	REFER TO PAINT SPECIFICATIONS, COLOR TO MATCH PPG 1001-6 "KNIGHTS ARMOR"
METAL COPING	PREFINISHED TO MATCH PAINTED CMU
CORRUGATED METAL & DOOR FRAMES	PAINTED "KNIGHTS ARMOR" PPG 519-6



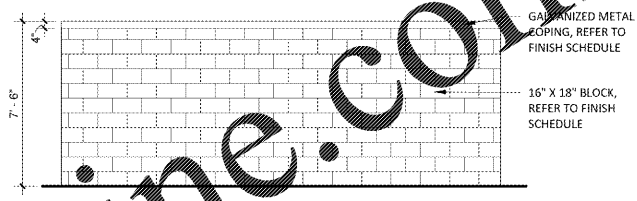
11 MAN DOOR PIVOT
1 1/2" = 1'-0"



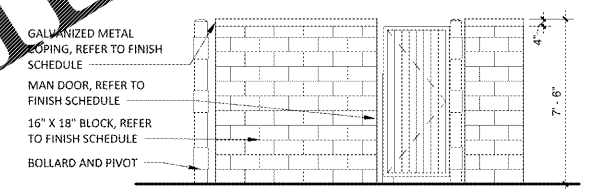
8 DUMPSTER WALL SECTION
3/4" = 1'-0"



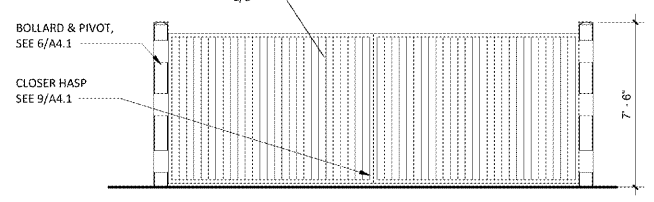
5 DUMPSTER ELEVATION
1/4" = 1'-0"



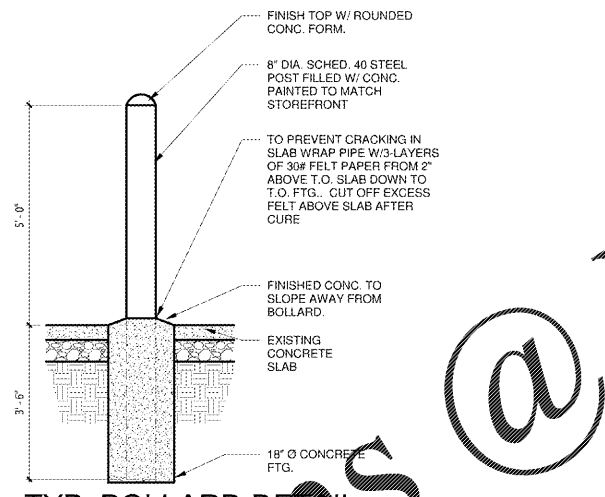
4 DUMPSTER ELEVATION
1/4" = 1'-0"



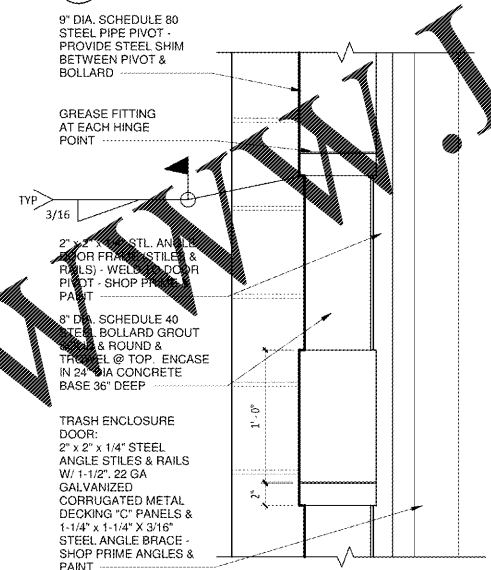
3 DUMPSTER ELEVATION
1/4" = 1'-0"



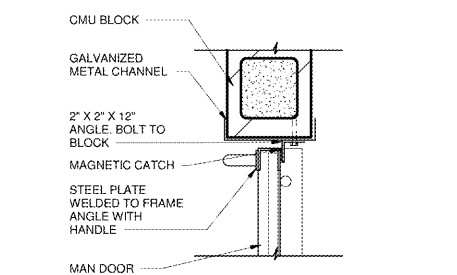
2 DUMPSTER ELEVATION
1/4" = 1'-0"



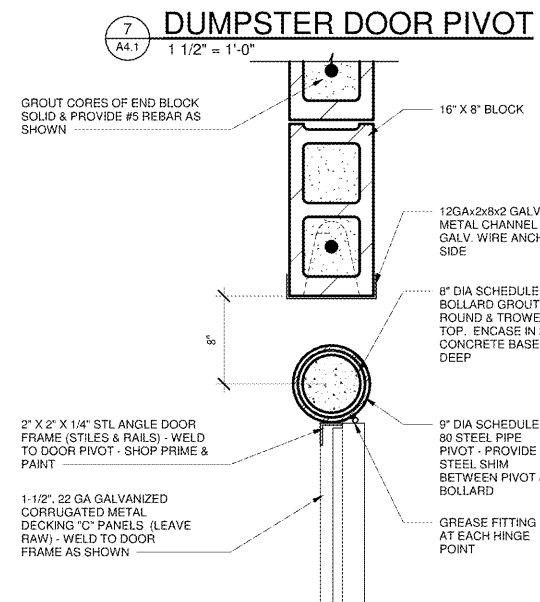
10 TYP. BOLLARD DETAIL
1/2" = 1'-0"



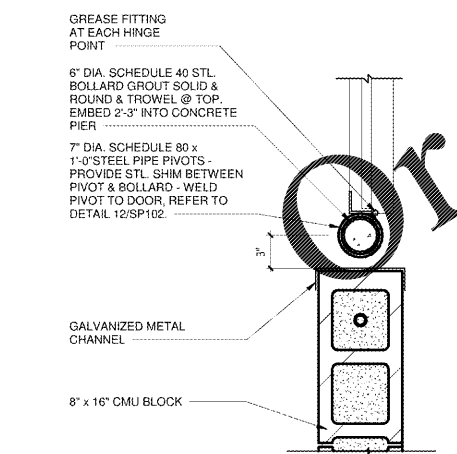
7 DUMPSTER DOOR PIVOT
1 1/2" = 1'-0"



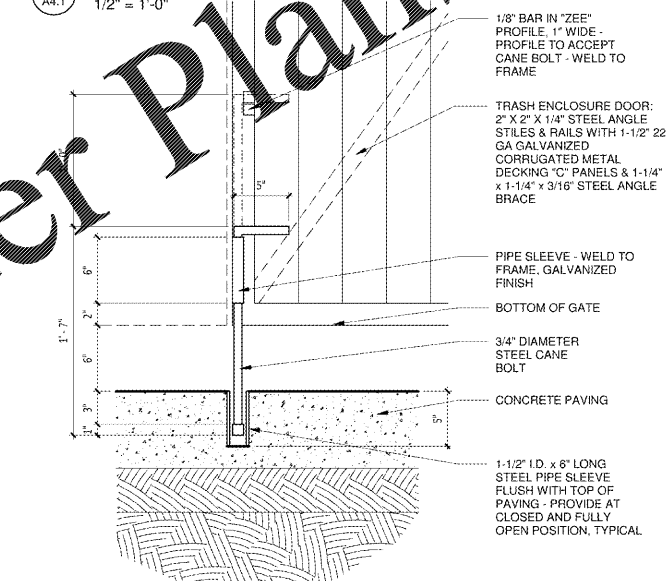
13 MAN DOOR LATCH DETAIL
1 1/2" = 1'-0"



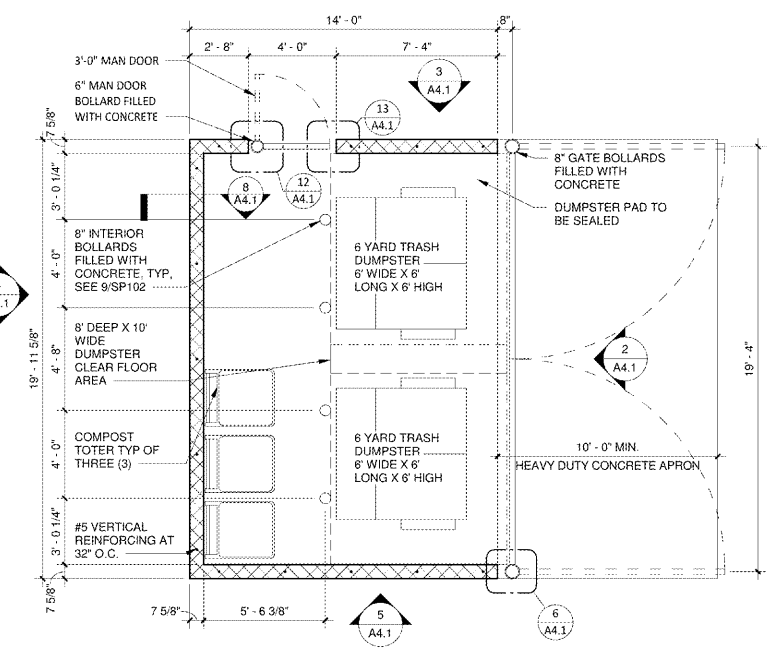
6 DUMPSTER WALL DETAIL
1 1/2" = 1'-0"



12 MAN DOOR PIVOT DETAIL
1 1/2" = 1'-0"



9 TYPICAL CANE BOLT DETAIL
1 1/2" = 1'-0"



1 DUMPSTER FLOOR PLAN
1/4" = 1'-0"

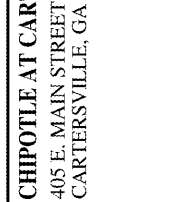
Order Plans @

WWW.LDILINE.COM

ROBERTSON LOIA ROOF ARCHITECTS & ENGINEERS
3460 Preston Ridge Road, Suite 275 - Alpharetta, GA. 30005
770.674.2600 / www.rlric.com



CHIPOTLE AT CARTERSVILLE
405 E. MAIN STREET
CARTERSVILLE, GA 30121



REVISIONS

DUMPSTER ENCLOSURE DETAILS

DATE: 12/30/20
PROJECT NUMBER: 19303

SHEET NUMBER: A4.1