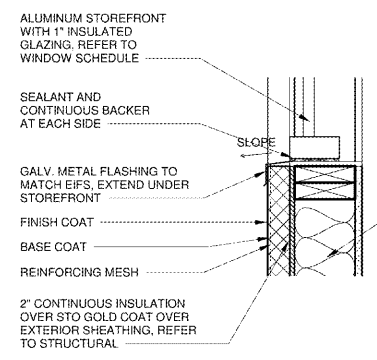
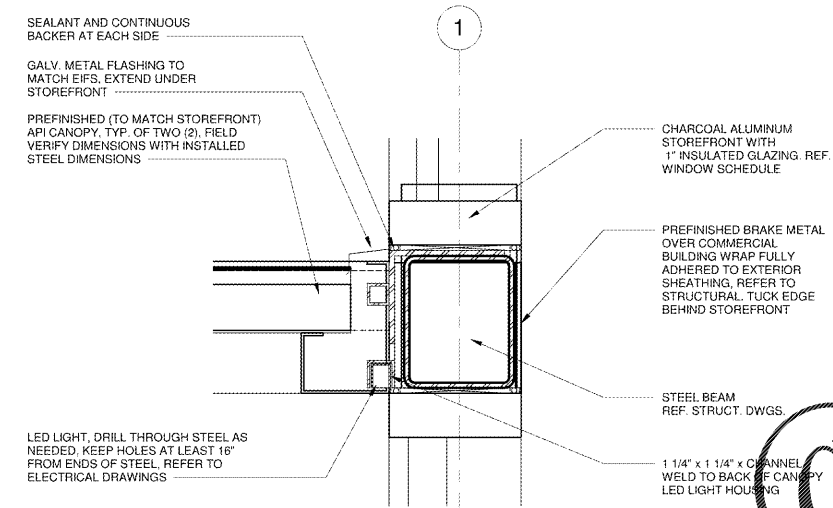


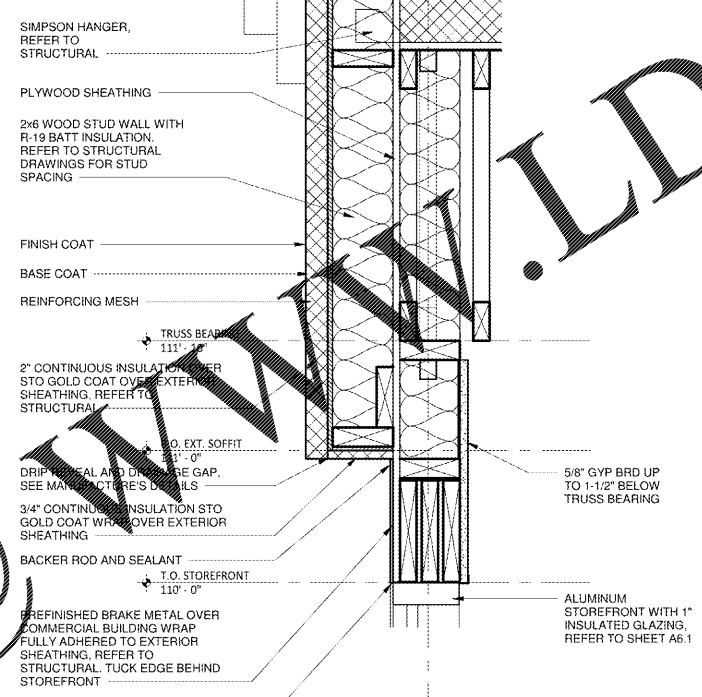
9 HEAD DETAIL
A3.5 1 1/2" = 1'-0"



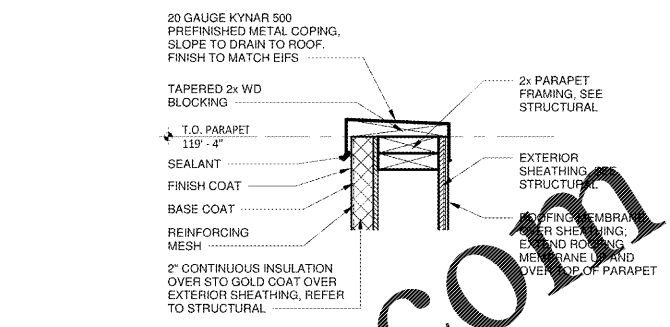
8 SILL DETAIL
A3.5 1 1/2" = 1'-0"



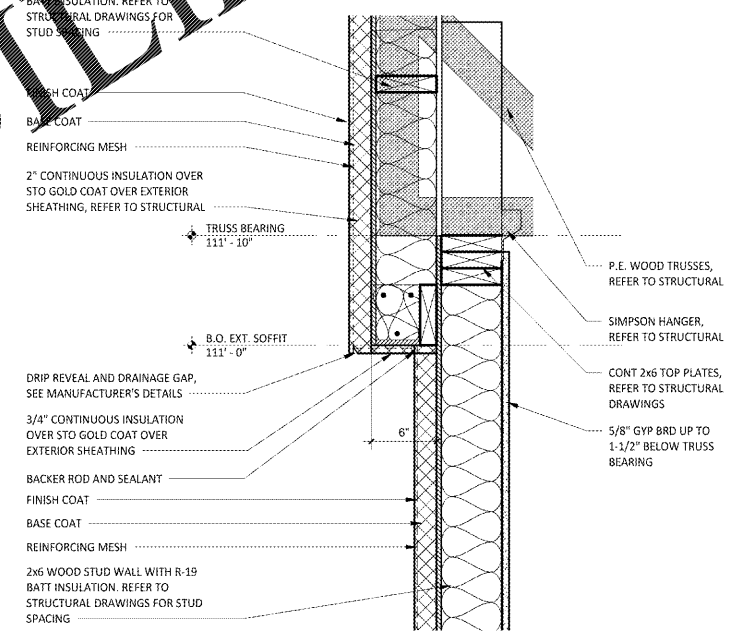
7 CANOPY DETAIL
A3.5 3" = 1'-0"



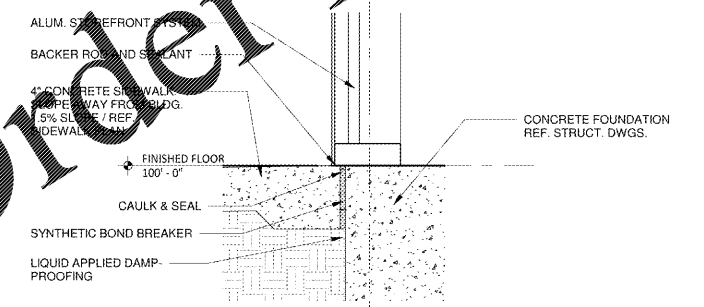
5 SOFFIT DETAIL
A3.5 1 1/2" = 1'-0"



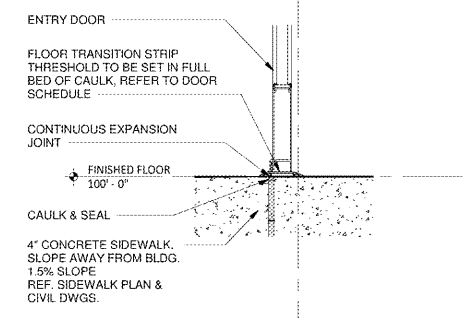
3 COPING DETAIL
A3.5 1 1/2" = 1'-0"



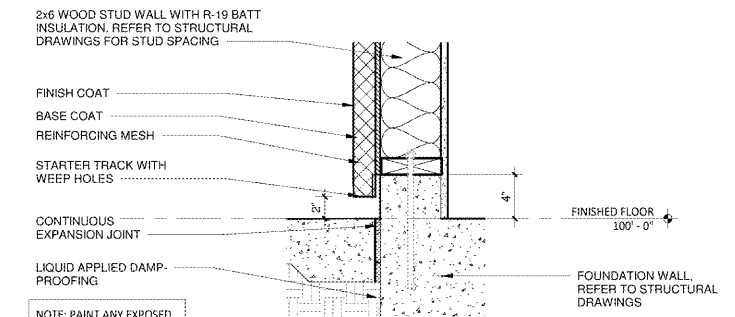
2 SOFFIT DETAIL
A3.5 1 1/2" = 1'-0"



6 BASE DETAIL
A3.5 1 1/2" = 1'-0"



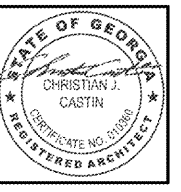
4 BASE DETAIL
A3.5 1 1/2" = 1'-0"



1 BASE DETAIL
A3.5 1 1/2" = 1'-0"

Order Plans @

WWW.LDOnline.com



CHIPOTLE AT CARTERSVILLE
405 E. MAIN STREET
CARTERSVILLE, GA. 30121

REVISIONS

SECTION DETAILS

DATE: **12/30/20**
PROJECT NUMBER: **19303**
SHEET NUMBER: **A3.5**