

**ELECTRICAL SYMBOLS LEGEND**

SYMBOL	DESCRIPTION
	LIGHT FIXTURE (WALL MOUNTED/CEILING MOUNTED)
	LIGHT FIXTURE
	LIGHT FIXTURE, NIGHT LIGHT
	VOLUMETRIC LIGHT FIXTURE
	TRACK LIGHTING
	EXIT FIXTURE (WALL MOUNTED/CEILING MOUNTED)
	EMERGENCY LIGHT (WALL MOUNTED/CEILING MOUNTED)
	EMERGENCY LIGHT REMOTE HEADS (WALL MOUNTED/CEILING MOUNTED)
	SINGLE POLE SWITCH
	3-WAY SWITCH
	4-WAY SWITCH
	KEYED SWITCH
	DIMMER SWITCH
	VARIABLE SPEED SWITCH
	MANUAL MOTOR SWITCH
	SINGLE POLE OCCUPANCY SENSOR SWITCH
	DOUBLE POLE OCCUPANCY SENSOR SWITCH
	CEILING MOUNTED OCCUPANCY SENSOR SWITCH, FOUR-DIRECTION SENSING
	WALL MOUNTED OCCUPANCY SENSOR SWITCH, ONE-DIRECTION SENSING
	RECEPTACLE, DUPLEX
	RECEPTACLE, DUPLEX, MOUNTED HORIZONTALLY
	RECEPTACLE, GFI
	RECEPTACLE, DUPLEX FLUSH FLOOR
	RECEPTACLE, DUPLEX ISOLATED GROUND FLUSH FLOOR
	RECEPTACLE, DOUBLE DUPLEX
	RECEPTACLE, DUPLEX ISOLATED GROUND
	RECEPTACLE, DOUBLE DUPLEX, ISOLATED GROUND
	RECEPTACLE, SIMPLEX TWIST LOCK, LS-1SR, UNO
	RECEPTACLE, SIMPLEX TWIST LOCK, ISOLATED GROUND, LS-1SR, UNO
	RECEPTACLE, DUPLEX TWIST LOCK, LS-1SR, UNO
	RECEPTACLE, DUPLEX TWIST LOCK, ISOLATED GROUND, LS-1SR, UNO
	RECEPTACLE, SPECIAL
	RECEPTACLE, SIMPLEX
	RECEPTACLE, PLUG-MOLD
	JUNCTION BOX (WALL MOUNTED/CEILING MOUNTED)
	THERMOSTAT (WALL MOUNTED/CEILING MOUNTED)
	ALARM JUNCTION BOX (WALL MOUNTED/CEILING MOUNTED)
	ALARM JUNCTION BOX FOR REMOTE TEST/RESET (WALL MOUNTED/CEILING MOUNTED)
	SMOKE DETECTOR
	NON-FUSED DISCONNECT
	FUSED DISCONNECT
	EQUIPMENT CONNECTION POINT (PROVIDED WITH EQUIPMENT)
	CIRCUIT, CONCEALED IN WALLS OR CEILING, E INDICATES EXISTING WIRING
	CIRCUIT, CONCEALED IN SLAB FLOOR, E INDICATES EXISTING WIRING
	CIRCUIT, EXPOSED, E INDICATES EXISTING WIRING
	LOW VOLTAGE WIRING
	CONDUIT SLEEVE
	FLUSH MOUNTED PANELBOARD
	SURFACE MOUNTED PANELBOARD
	TELEPHONE / DATA BOX FOR ISD
	LOW VOLTAGE CABLE BOX FOR OTHER
	TELEPHONE, FLUSH FLOOR
	MOTOR
	TELEPOWER POLE
	PUSH BUTTON
	BUZZER
	SAIL SWITCH JUNCTION BOX
	HORN / STROBE
	DOOR HOLD OPEN
	TIME CLOCK

**ABBREVIATIONS**

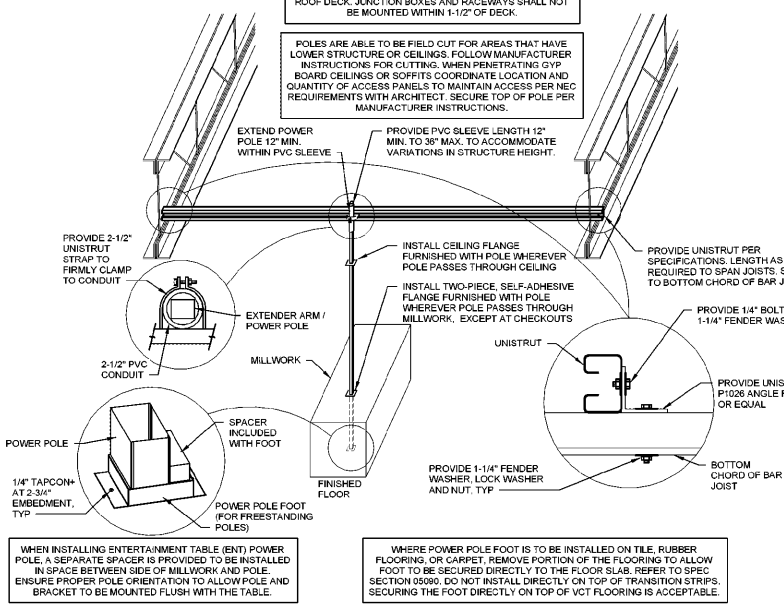
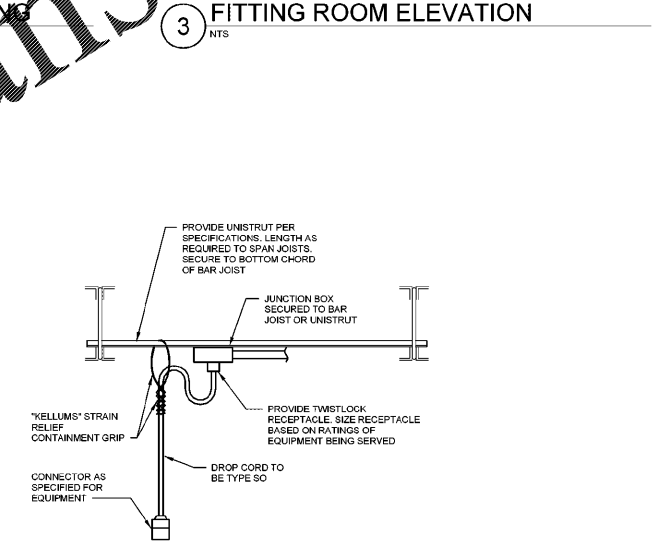
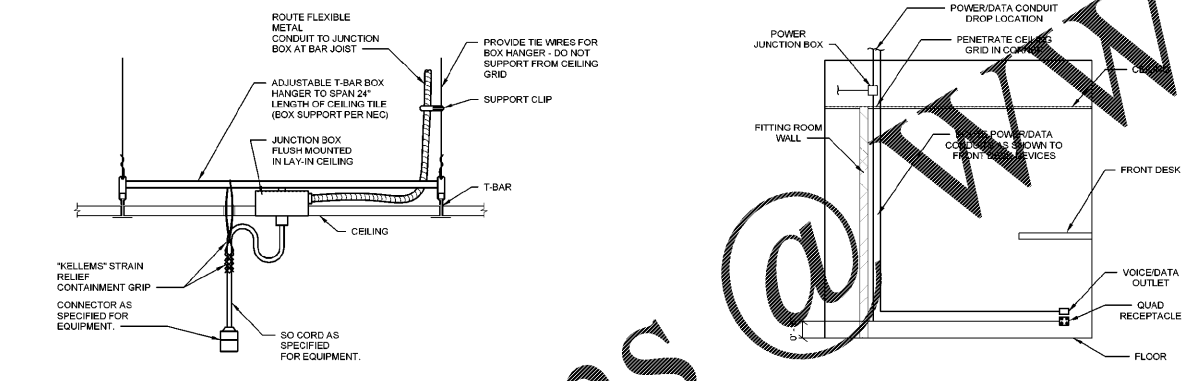
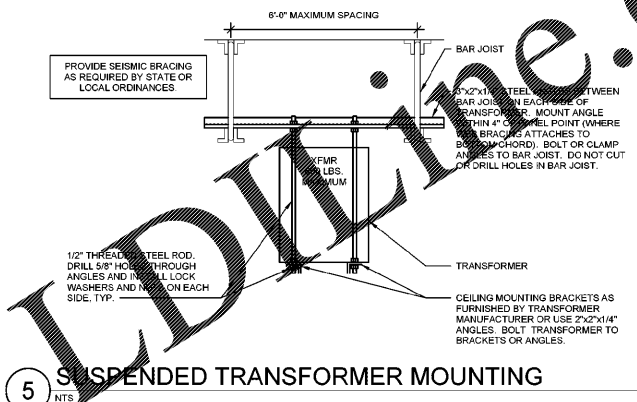
a, b, c, d	LOWER CASE LETTERS INDICATE SWITCHING CONFIGURATION
AF	ABOVE FINISHED FLOOR
AFG	ABOVE FINISHED GRADE
CD	CONDUIT
CF	CEILING FAN
CH	CASH DRAWER
EC	ELECTRICAL CONTRACTOR
EF	EXHAUST FAN
ER	EXISTING TO REMAIN
EMC	ELECTRIC WATER COOLER
GC	GROUND
GC	GENERAL CONTRACTOR
GFP	GROUND FAULT EQUIPMENT PROTECTION
GFI	GROUND FAULT CIRCUIT INTERRUPTER
HD	HAND DRYER
ID	ISOLATED GROUND
LC	LIGHTING CONTROL UNIT
NL	NIGHT LIGHT
NTS	NOT TO SCALE
REC	REFRIGERATION ELECTRICAL CONTRACTOR
RC	REFRIGERATION CONTRACTOR
RH	RADIANT HEATER
SC	SECURITY CAMERA
TR	TAMPER RESISTANT
TY	TYPICAL
UH	UNIT HEATER
UNO	UNLESS NOTED OTHERWISE
WH	WATER HEATER
WP	WEATHER PROOF
WR	WEATHER RESISTANT

**VOICE/DATA ROUGH-IN SCHEDULE**

DROP	ROUGH-IN NOTES:
▼ a	FLUSH MOUNT JUNCTION BOX AT +20" (UNO) WITH (1) 3/4" CONDUIT STUBBED 12" ABOVE LAY-IN CEILING.
▼ b	FLUSH MOUNT JUNCTION BOX AT +20" (UNO) WITH (1) 3/4" CONDUIT ROUTED TO NEAREST ACCESSIBLE CEILING SPACE.
▼ c	SURFACE MOUNT JUNCTION BOX AT +6" (UNO) WITH (1) 3/4" CONDUIT STUBBED TO ACCESSIBLE CEILING SPACE.

**SCHEDULE GENERAL NOTES:**

- ALL JUNCTION BOXES SHALL BE DOUBLE GANG WITH SINGLE GANG PLASTER RING UNLESS NOTED OTHERWISE ON SCHEDULE.
- ALL JUNCTION BOXES TO BE ROUGHED IN AT SCHEDULED HEIGHT UNLESS NOTED OTHERWISE ON DRAWINGS.
- ALL CONDUITS SHALL BE TERMINATED WITH BUSHINGS.
- PROVIDE PULL WIRE WITH EACH EMPTY RACEWAY (JUNCTION BOX/CONDUIT) INSTALLED.
- CONDUIT RUNS SHALL HAVE NO MORE THAN 90 DEGREES OF TRANSITION BETWEEN PULL BOXES.
- WHERE CONDUIT(S) TRAVERSE AREAS WITH CEILINGS OPEN TO STRUCTURE, CONDUIT(S) SHALL BE CONCEALED AS WELL AS POSSIBLE FROM VIEW FROM CUSTOMER AREA.
- FOR CONDUIT RUNS SCHEDULED WITH 1-1/2" OR LARGER CONDUIT UTILIZE LARGE RADIUS SWEEPS AT POINTS OF TRANSITION.
- ACCESSIBLE CEILING SPACE SHALL BE CONSIDERED 12 INCHES ABOVE A LAY-IN CEILING OR ABOVE BAR JOIST ACCESSIBLE BY A SCISSOR LIFT FOR AREAS OPEN TO STRUCTURE.



**GENERAL NOTES**

- FURNISH AND INSTALL ALL MATERIALS, EQUIPMENT, AND LABOR FOR A COMPLETE INSTALLATION IN ALL RESPECTS, READY FOR INTENDED USE AND IN STRICT ACCORDANCE WITH NEC, NESC, STATE, AND LOCAL CODES, AND MANUFACTURER'S RECOMMENDATIONS. PAY ALL NECESSARY FEES AND PERMITS.
  - NO CIRCUITRY SHALL BE ALLOWED TO BE ROUTED ACROSS THE ROOF OR THE EXTERIOR SIDE OF THE EXTERIOR WALLS.
  - ALL EQUIPMENT SHALL BE UL LISTED WHERE APPLICABLE.
  - ARRANGE ALL WORK TO MINIMIZE DISRUPTIONS TO STORE OPERATIONS. COORDINATE ALL DISRUPTIONS WITH WALMART CONSTRUCTION MANAGER AND STORE MANAGER.
  - CONTRACTOR SHALL VERIFY ALL WALL FINISH THICKNESS BEFORE INSTALLING BOXES. FURNISH AND INSTALL EXTENDED BOXES OR BOX EXTENDERS WHERE REQUIRED.
  - CONTRACTOR SHALL VERIFY THAT ALL AFFECTED PANELBOARDS HAVE CIRCUIT BREAKER KNOCKOUTS PROPERLY COVERED AND THAT ALL TRIM IS IN GOOD CONDITION, ALLOWING NO ACCESS TO LIVE PARTS.
- PROVIDE SEALS AT RACEWAY PENETRATIONS AS FOLLOWS:
  - FIRE RATED WALLS: SEAL PER SPECIFICATIONS FOR FIRE STOPPING.
  - NEUTRALIZATION AREA: SEAL PER MECHANICAL DETAIL.
  - REFRIGERATOR/COOLER BOARDS: SEAL WITH EXPANDING FOAM SEALANT.
  - EXTERIOR: REFER TO ARCHITECTURAL DOCUMENTS FOR SEALING REQUIREMENTS AT EXTERIOR MOUNTED DEVICES, FIXTURES, ENCLOSURES, AND RACEWAY PENETRATIONS.
- PROVIDE A SEPARATE ELEMENTARY GROUNDING CONDUCTOR (SIZE AS SHOWN ON PLANS) IN TYPE CONDUIT POWER AND LIGHTING CIRCUITS. ISOLATE GROUNDING CONDUCTOR AS SHOWN ON PLANS. CONDUIT SHALL BE RATED FOR USE WITH THIN WALL COPPER SINGLE CONDUIT SYSTEM PLUS THE EQUIPMENT GROUNDING CONDUCTOR.
- GROUNDING DEVICES: DEVICE MOUNTING HEIGHTS ARE FROM FINISHED FLOOR OR OUTLET BOX UNLESS NOTED OTHERWISE ON PLANS. COORDINATE THE STANDARD MOUNTING HEIGHTS WITH MASONRY:
  - SWITCHES +4"
  - RECEPTACLES +20"
  - VOICE/DATA +20"
- WIRING SHALL INCLUDE FINAL CONNECTION TO ALL EQUIPMENT IN CONFORMANCE WITH EQUIPMENT SUPPLIER WIRING DIAGRAMS.
- CONTRACTOR IS RESPONSIBLE FOR PROVIDING AN UPDATED AND COMPLETE TYPED CIRCUIT IDENTIFICATION SCHEDULE FOR EVERY PANELBOARD AFFECTED BY THIS PROJECT.
- NEW OVERCURRENT PROTECTIVE DEVICES INSTALLED IN EXISTING PANELBOARDS OR DISTRIBUTION BOARDS SHALL MATCH THE TYPE AND AIC RATINGS OF EXISTING OVERCURRENT PROTECTIVE DEVICES.
- BRANCH CIRCUIT CONDUCTORS SHALL BE MINIMUM #12 AWG UNLESS NOTED OTHERWISE IN SCHEDULES. WHERE 20A BRANCH CIRCUITS HAVE #8 AND LARGER WIRE SPECIFIED, #10 AWG WIRE SHALL BE USED FOR THE FINAL CONNECTION (15-FT MAXIMUM).
- WHERE BRANCH CIRCUITS ARE GROUPED, SIZE CONDUIT AND DERATE CURRENT CARRYING CAPACITY PER NEC.
- PROVIDE UL LISTED HANDLE TIES ON ALL MULTIWIRE BRANCH CIRCUITS PER NEC REQUIREMENTS.
- SUPPORTS FROM STRUCTURE: NO ATTACHMENT OF ANY TYPE SHALL BE MADE TO BRIDGING OR JOIST WEB MEMBERS. UTILIZE ONLY THE TOP AND BOTTOM CHORDS FOR SUPPORTING THE ELECTRICAL SYSTEM INSTALLATIONS.
- DEVICES SHOWN ON COOLER/FREEZER PANELS SHALL BE SURFACE MOUNTED UNLESS NOTED OTHERWISE. SEAL DEVICES TO COOLER/FREEZER PANELS WITH SILICONE SEALANT.
- SURFACE MOUNTED CONDUIT ON COOLER/FREEZER PANELS OR IN FOOD PREP AREAS SHALL BE INSTALLED WITH GALVANIZED 1/2" STANDOFF CONDUIT HANGERS TO ALLOW FOR CLEANING.
- ONLY FEEDER CIRCUITS NOTED ON THE ONE LINE DIAGRAM AND BRANCH CIRCUITS NOTED BY LEGEND SHALL BE INSTALLED UNDER SLAB. PROVIDE EXTERIOR COATED GRC BENDS ON ALL CONDUIT RUNS THAT HAVE 45 DEGREE BENDS OR GREATER. REFER TO SPECIFICATION SECTION 12.01 FOR UNDER SLAB.
- SEISMIC ZONE REQUIREMENTS: PROVIDE EXPANSION COUPLINGS AND BRACING FOR ELECTRICAL EQUIPMENT AS REQUIRED BY LOCAL CODES.
- EXISTING ELECTRICAL AND ALARM:
  - WHERE DEMOLITION OR NEW CONSTRUCTION INTERRUPTS EXISTING ELECTRICAL CIRCUITS FEEDING EXISTING EQUIPMENT, DEVICES, OR LIGHTING TO REMAIN, BUT NOT SHOWN ON DRAWINGS, PROVIDE LABOR AND MATERIALS TO REWORK CIRCUITRY, AS REQUIRED, TO MAINTAIN EXISTING OPERATION.
  - IF DEMOLITION OR NEW CONSTRUCTION WILL DISRUPT EXISTING UNDERGROUND SERVICES (ELECTRICAL, TELEPHONE, FIBER OPTIC, LIGHTING, ETC.) PROVIDE ALL MATERIALS AND LABOR AS REQUIRED TO REMOVE, SLEEVE, OR OTHERWISE REWORK THESE SERVICES TO MAINTAIN THEIR EXISTING OPERATION.
  - EXERCISE CAUTION AROUND ALARM AND SECURITY CABLES DURING DEMOLITION AND CONSTRUCTION. PROTECT ALARM AND SECURITY CABLES FROM ACCIDENTAL DAMAGE SO THAT SYSTEMS REMAIN OPERATIONAL AT ALL TIMES.
  - DISPOSE OF ALL REMOVE MATERIALS, UNLESS OTHERWISE NOTED.
- EXISTING ELECTRICAL DEMOLITION:
  - GENERAL: REMOVE OR RELOCATE EXISTING ELECTRICAL EQUIPMENT, CONDUIT AND CONDUCTORS AS INDICATED ON THE DRAWINGS, OR ONLY AS REQUIRED BY DEMOLITION. REMOVE ALL PANELBOARDS, DISCONNECT SWITCHES, BOXES, RELAYS, TIME SWITCHES, LIGHTS, DEVICES, ETC., WHICH WILL NOT BE REUSED.
  - SALES FLOOR: REMOVE UNUSED POWER DROP CONDUIT, CONDUCTORS AND RELATED DEVICES SERVING SALES AREA (CONDOS) BEING RELOCATED OR REMOVED. EXISTING CONDUIT AND CONDUCTORS MAY BE REUSED FOR NEW POWER DROPS WHERE SIZE, RATING, AND CONDITION MEET REQUIREMENTS INDICATED ON PLANS AND ALL U.L. RATINGS. REMOVE ALL UNUSED CONDUIT AND CONDUCTORS BACK TO POINT OF ORIGIN WHENEVER FEASIBLE. IF CIRCUIT IS NOT REUSED, REMOVE CIRCUIT BREAKER AND REPLACE WITH FILLER PLATE. EXCEPTION: DISTRIBUTION AND POWER SWITCH BREAKERS SHALL BE ETR AS "SPARE". PROVIDE HANDLE LOCK OFF DEVICE TO LOCK "SPARE" CIRCUIT BREAKER IN THE "OFF" POSITION. UPDATE TYPED CIRCUIT IDENTIFICATION SCHEDULE AS "SPACE" OR "SPARE".
  - CONDUIT AND WIRING TO BE ABANDONED IN CEILING SPACES AND OTHER NON-PUBLIC AREAS (I.E., THROUGH STOCKROOM AREA): CUT WIRING LOOSE AND REMOVE FROM RACEWAYS), LEAVING RACEWAY(S) IN PLACE. CONDUIT TO BE ABANDONED IN WALLS OR FLOORS SHALL BE REMOVED BACK TO FINISHED SURFACE AND CAPPED INSIDE. REPAIR SURFACE(S) TO MATCH ADJACENT.
  - ALL CIRCUIT BREAKERS SERVING BRANCH CIRCUITS TO BE REMOVED SHALL ALSO BE REMOVED. REMOVE CIRCUIT BREAKER AND REPLACE WITH FILLER PLATE. EXCEPTION: DISTRIBUTION AND POWER SWITCH BREAKERS SHALL BE ETR AS "SPARE". PROVIDE HANDLE LOCK OFF DEVICE TO LOCK "SPARE" CIRCUIT BREAKER IN THE "OFF" POSITION. UPDATE TYPED CIRCUIT IDENTIFICATION SCHEDULE AS "SPACE" OR "SPARE".
  - DEMOLISHED FLUORESCENT LIGHT FIXTURES: REFER TO SELECTIVE SITE DEMOLITION SPECIFICATION FOR DISPOSAL OF LIGHT FIXTURE.
  - BUILDING COMPONENTS ABANDONED BY THE SCOPE OF WORK SHALL BE SECURED TO PREVENT FALLING, LOOSENING, OR CREATING DAMAGE OF ANY KIND IN THE FUTURE.
- DATA AND PHONE CONDUIT INSTALLATION MILESTONE DATE: ALL RACEWAY AND CONDUIT SLEEVES FOR DATA AND PHONE CABLES TO BE INSTALLED 3 WEEKS PRIOR TO CONTRACT SUBSTANTIAL COMPLETION DATE.
- ETHERNET CABLE: FURNISH AND INSTALL JUNCTION BOXES AS SHOWN ON PLANS. PROVIDE CONDUIT AS REQUIRED BY LOCAL CODES AND/OR ORDINANCES.
  - ETHERNET CABLE IS FURNISHED BY OTHERS.
  - ELECTRICAL CONTRACTOR SHALL INSTALL CABLE IN POWER POLES.
  - ELECTRICAL CONTRACTOR SHALL INSTALL OTHER CABLE AS DIRECTED BY WALMART CONSTRUCTION MANAGER.

EXISTING CONDITIONS WERE TAKEN FROM ORIGINAL DRAWINGS AND MAY NOT REFLECT EXACT "AS-BUILT" CONDITIONS. CONTRACTOR SHALL VERIFY ALL EXISTING CONDITIONS PRIOR TO SUBMITTING FINAL BIDS. CONTRACTOR SHALL CAREFULLY COORDINATE NEW WORK AND DEMOLITION WITH ALL OTHER DISCIPLINES AND EXISTING CONDITIONS.

EACH SUBCONTRACTOR IS RESPONSIBLE FOR HAVING A THOROUGH KNOWLEDGE OF ALL DRAWINGS AND SPECIFICATIONS IN THEIR RELATED FIELD. THE FAILURE TO ACQUAINT THEMSELVES WITH THIS KNOWLEDGE DOES NOT RELIEVE THE RESPONSIBILITY OF PERFORMING THE WORK PROPERLY. NO ADDITIONAL COMPENSATION SHALL BE ALLOWED BECAUSE OF CONDITIONS THAT OCCUR DUE TO FAILURE TO FAMILIARIZE WORKERS WITH THIS KNOWLEDGE.



ARCHITECT OF RECORD:  
DOHN P. FRANK  
8111 MEDICAL AVENUE  
OVERLAND PARK, KS 66204  
www.brr.com  
TEL: 913-342-9000  
FAX: 913-342-9001

STIPULATION FOR REUSE:  
THIS DRAWING WAS PREPARED BY BRR FOR THE PROJECT IDENTIFIED HEREIN. IT IS THE PROPERTY OF BRR AND IS NOT TO BE REPRODUCED, COPIED, OR TRANSMITTED IN ANY FORM OR BY ANY MEANS, ELECTRONIC OR MECHANICAL, INCLUDING PHOTOCOPYING, RECORDING, OR BY ANY INFORMATION STORAGE AND RETRIEVAL SYSTEM, WITHOUT THE WRITTEN PERMISSION OF BRR.

CONSULTANTS:  
**HENDERSON ENGINEERS**  
886 LEBLANC DRIVE, SUITE 300  
ATLANTA, GA 30328  
TEL: 404-525-1100 FAX: 404-525-1101  
WWW.HENDERSONENGINEERS.COM  
GA. LICENSE NO. 1101-RE-0027014  
EXPIRES 03/31/2021

**Walmart**  
ATLANTA (GRESHAM)  
2427 GRESHAM RD SE 30316  
STONE NO. 103709-2253  
JOB NUMBER: 216660706 | PHOTO: 216660706

**ISSUE BLOCK**

NO.	DESCRIPTION	DATE

CHECKED BY: BCB/W  
DRAWN BY: JFF  
PROTO CYCLE: 09/25/20  
DOCUMENT DATE: 11/20/20

NOT FOR CONSTRUCTION

**ELECTRICAL DETAILS**

SHEET: **E3**

Order Plans @ [www.dwdline.com](mailto:www.dwdline.com)

www.dwdline.com