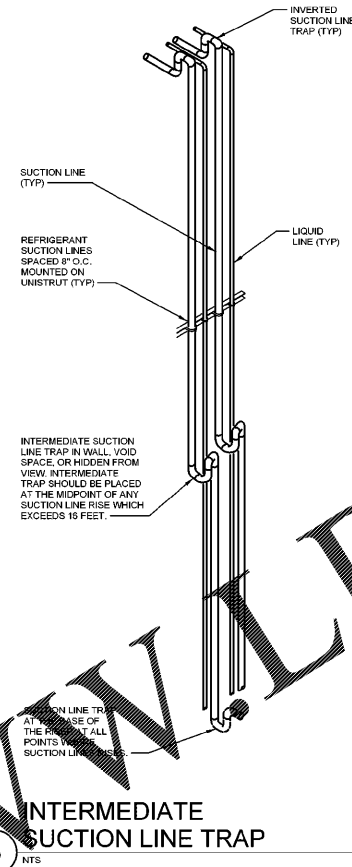
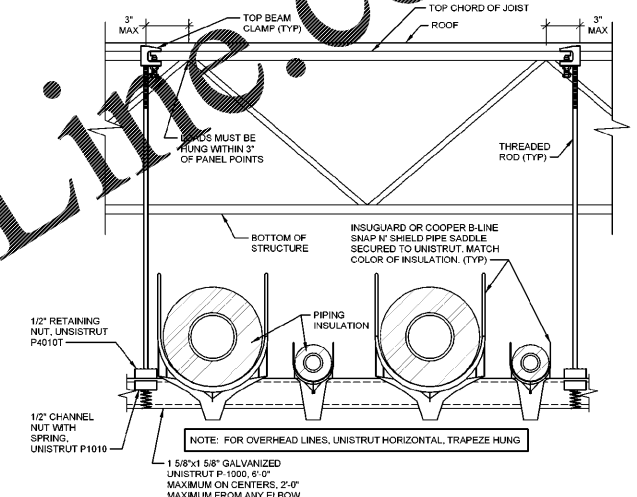


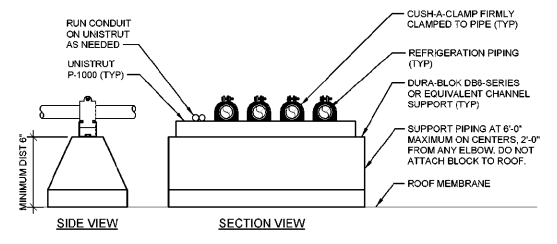
Order Plans @ www.WLDIline.com



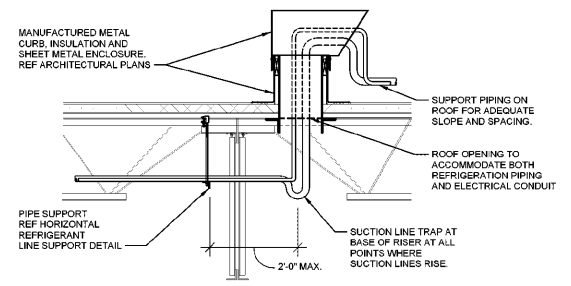
**5** INTERMEDIATE SUCTION LINE TRAP  
NTS



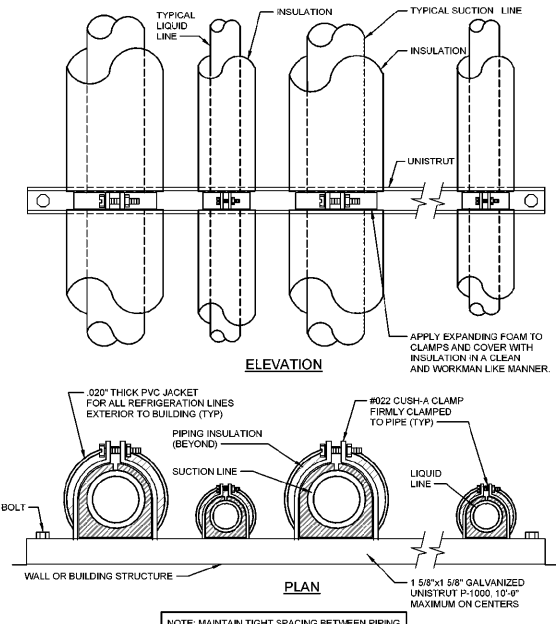
**4** HORIZONTAL REFRIGERANT LINE SUPPORT  
NTS



**3** REFRIGERATION PIPING SUPPORT (ON ROOF)  
NTS



**2** ROOF PENETRATION  
NTS



**1** VERTICAL REFRIGERANT LINE SUPPORT  
NTS

EXISTING CONDITIONS WERE TAKEN FROM ORIGINAL DRAWINGS AND MAY NOT REFLECT EXACT \"AS-BUILT\" CONDITIONS. CONTRACTOR SHALL FIELD VERIFY ALL EXISTING CONDITIONS PRIOR TO SUBMITTING FINAL BIDS. CONTRACTOR SHALL CAREFULLY COORDINATE NEW WORK AND DEMOLITION WITH ALL OTHER DISCIPLINES AND EXISTING CONDITIONS.

EACH SUBCONTRACTOR IS RESPONSIBLE FOR HAVING A THOROUGH KNOWLEDGE OF ALL DRAWINGS AND SPECIFICATIONS IN THEIR RELATED FIELD. THE FAILURE TO ACQUAINT THEMSELVES WITH THIS KNOWLEDGE DOES NOT RELIEVE THE RESPONSIBILITY OF PERFORMING THE WORK PROPERLY. NO ADDITIONAL COMPENSATION SHALL BE ALLOWED BECAUSE OF CONDITIONS THAT OCCUR DUE TO FAILURE TO FAMILIARIZE WORKERS WITH THIS KNOWLEDGE.

**brr**

ARCHITECT OF RECORD:  
 JOHN P. FRANK  
 8211 MEDICAL AVENUE  
 OVERLAND PARK, KS 66204  
 www.brrinc.com  
 TEL: 913-342-9005  
 FAX: 913-342-9004

STIPULATION FOR REUSE  
 THIS DRAWING WAS PREPARED FOR CONTRACTOR USE ONLY. IT IS THE USER'S RESPONSIBILITY TO OBTAIN PERMISSION FROM THE ARCHITECT OF RECORD PRIOR TO REUSE OR MODIFICATION OF THIS DRAWING FOR ANY OTHER PROJECT OR PURPOSE. THE ARCHITECT OF RECORD ACCEPTS NO LIABILITY FOR REUSE OR MODIFICATION OF THIS DRAWING WITHOUT THE ARCHITECT'S WRITTEN CONSENT.

CONSULTANTS  
**W HENDERSON**  
 ENGINEERS  
 8865 LEBLANC DRIVE, SUITE 300  
 FORT WORTH, TX 76116  
 TEL: 817-423-0000 FAX: 817-423-0001  
 WWW.HENDERSONENGINEERS.COM  
 GA. LICENSE NO. 100770214  
 TX. LICENSE NO. 100770214  
 EXPRESS 00000021

**Walmart**  
**ATLANTA (GRESHAM)**  
 2427 GRESHAM RD SE 30316  
 STORE NO: 103709-233  
 JOB NUMBER: 2166605706 | PHOTO: SPRB

ISSUE BLOCK


CHECKED BY: TGJ  
 DRAWN BY: SAK  
 PHOTO CYCLE: 09/25/20  
 DOCUMENT DATE: 11/20/20

NOT FOR CONSTRUCTION

REFRIGERATION DETAILS

SHEET: **R2**