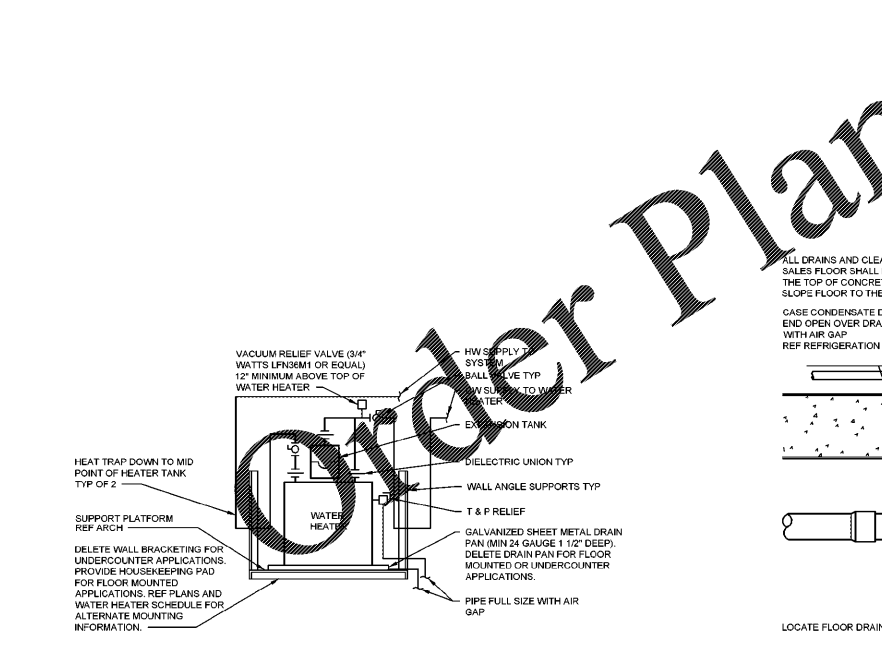


SPECIALTY PLUMBING FIXTURE SCHEDULE					
MARK	FIXTURE	MANUFACTURER	MODEL	FIXTURE DESCRIPTION	
WPG	WATER PRESSURE GAUGE	AMETEK TERCE WEISS INSTRUMENTS	856 D815SS LF252	2.5 INCH STAINLESS STEEL CASE, ALL WETTED PARTS STAINLESS STEEL, LIQUID FILLED, 1/4 INCH NPT CONNECTOR, 1.5% ACCURACY, 30" HG WAC TO 100 PSI RANGE.	
WHA	WATER HAMMER ARRESTOR	JOSAM PRECISION PLUMBING PRODUCTS	SERIES 75000 STAINLESS STEEL #316 SERIES SS SERIES	LEAD FREE CONFORM TO PDI WH-201, ANSI A112.26.1M, ASSE 1010.	
FCV30	FLOW CONTROL VALVE	BELLA & GOSSETT FLOW DESIGN	# CB LF "CIRCUIT SETTER PLUS" IG50050	LEAD FREE NAMEPLATE AND 1/2" VALVE BODY SIZE UNLESS SHOWN OTHERWISE ON PLANS. SET AND BALANCE TO 0.25 GPM OR PROVIDE 0.25 GPM CARTRIDGE UNLESS SHOWN OTHERWISE ON PLANS AND PER MANUFACTURER'S INSTALLATION INSTRUCTIONS.	
DCV	DOUBLE-CHECK VALVE BACKFLOW PREVENTER (STAINLESS STEEL)	WATTS	SS007Q-T-S	ASSE 1015, 3/16 STAINLESS STEEL BODY, QUARTER TURN TEST COCKS, QUARTER TURN, FULL PORT BALL VALVES AND STAINLESS STEEL STRAINER.	
---	CHECK VALVES	RED-WHITE APOLLO CRANE WATTS NBCCO	232 SERIES 61-100 118J 6 T-413	BRASS JACKET WITH PLASTIC VALVE ASSEMBLY.	
---	DOUBLE-CHECK VALVE BACKFLOW PREVENTER	WATTS BECCO FEBCO WILKINS	LF907Q-T OR LF709 FDC-LF LF580 350XL OR 950XL2	LEAD FREE, INCLUDE TWO INDEPENDENT-ACTING CHECK VALVES, TWO SHUT-OFF VALVES AND REQUIRED MEANS FOR TESTING FOR EACH ASSEMBLY. MINIMUM 175 PSI WORKING PRESSURE.	
---	LOCKABLE SHUT OFF VALVES	RED-WHITE APOLLO CRANE WATTS	5042 SERIES 70LF-100 LF-T-255 LFB-6000 OR LFB-6001	BRASS BALL VALVES WITH PLASTIC JACKETED LEVER TYPE HANDLE.	
---	REDUCED PRESSURE BACKFLOW PREVENTER	WATTS BECCO FEBCO WILKINS	LF909Q-T OR LF909 FRP-LF LF580 375XL OR 975XL	LEAD FREE, PROVIDE STRAINER, SHUT-OFF VALVES AND TEST COCKS. INSTALL DRAIN LINE WITH AIR GAP ASSEMBLY TO RECEPTOR APPROVED BY AUTHORITY HAVING JURISDICTION. MINIMUM 175 PSI WORKING PRESSURE.	
---	REDUCED PRESSURE BACKFLOW PREVENTER (STAINLESS STEEL)	WATTS	SS009M3Q-T-S	LEAD FREE, STAINLESS STEEL REDUCED PRESSURE ZONE ASSEMBLY, FURNISHED WITH STAINLESS STEEL STRAINER, WINDL RESISTANT TEST COCKS, AND FULL PORT QUARTER TURN BALL VALVE SHUT-OFFS. INSTALL DRAIN LINE WITH AIR GAP ASSEMBLY TO RECEPTOR APPROVED BY AUTHORITY HAVING JURISDICTION. MINIMUM 175 PSI WORKING PRESSURE.	
---	STRAINER	WATTS APOLLO	LF777S 5P-204-68	CAST BRONZE Y-STRAINER WITH BALL VALVE.	
---	TRAP PRIMER (MULTIPLE TRAPS)	PRECISION PLUMBING PRODUCTS WIFAB JOSAM SIOUX CHIEF	PRIME-RITE OR OREGON #1 M-500-NPB 83300 SERIES 685	LEAD FREE, PROVIDE ALL BRONZE PRIMER VALVE WITH REMOVABLE OPERATING PARTS, INTEGRAL VACUUM BREAKER, GASKETED ACCESS COVER, AND MULTIPLE TRAP CAPABILITY.	
---	TRAP PRIMER (SINGLE TRAP)	PRECISION PLUMBING PRODUCTS SIOUX CHIEF	PRIME-RITE OR OREGON #1 685	LEAD FREE, PROVIDE ALL BRONZE PRIMER VALVE WITH REMOVABLE OPERATING PARTS, INTEGRAL VACUUM BREAKER, AND GASKETED ACCESS COVER.	
---	VACUUM RELIEF VALVE	WATTS	LFN36-M1	LEAD FREE BRASS BODY, CSA/ANSI Z21.22	
---	VALVES	RED-WHITE APOLLO CRANE WATTS NBCCO	5044AB OR 5049AB SERIES 70 LF LF211 SERIES LFFB-3C OR LFFBVS-3C FP-600-A-LF	LEAD FREE FULL PORT BRASS BALL VALVE WITH PLASTIC JACKETED LEVER TYPE HANDLE.	

GROCERY PLUMBING EQUIPMENT CONNECTION SCHEDULE							
MARK	FIXTURE	BRANCH SIZES (MIN)				ROUGH-IN REQUIREMENTS	NOTES
		RO	CW	HW	WASTE		
SS00R	WALL MOUNTED HAND SINK WITH RH SPLASH	1/2"	1/2"	1 1/2"	1 1/4"	WATER: 18" AFF; WASTE: 18" AFF	B, C, F, J, N

- GENERAL INFORMATION (ALL EQUIPMENT):
 1. EQUIPMENT AND TRIM FURNISHED BY OWNER. ROUGH-IN AND FINAL CONNECTIONS BY PLUMBING CONTRACTOR, UNLESS NOTED OTHERWISE.
- NOTES:
 A. PROVIDE SHUT-OFF VALVES.
 B. PROVIDE P-TRAP WITH CLEANOUT PLUG AND ESCUTCHEON.
 C. PROVIDE CHROME PLATED ANGLE SUPPLY, FLEXIBLE RISER, AND WHEEL HANDLE WITH ESCUTCHEON.
 D. SINK FAUCETS PROVIDED WITH INTEGRAL CHECK VALVES.
 E. PROVIDE FULL-SIZE DRAIN LINE FROM EQUIPMENT, END OPEN OVER RECEPTOR WITH 2" AIR GAP.
 F. IF PLUMBING PLAN SHOWS THE SINK, INDIRECTLY CONNECTED TO FLOOR SINK, THEN WASTE ROUGH-IN HEIGHT AND VENT SIZE AND NOTE B DO NOT APPLY.
 G. PROVIDE DOUBLE CHECK BACKFLOW PREVENTER ON WATER SUPPLY. PROVIDE FEMALE NPT VALVE DOWNSTREAM OF BACKFLOW PREVENTER FOR CONNECTION BY OTHERS.
 H. PLUMBING CONTRACTOR SHALL FURNISH AND INSTALL FLEXIBLE WATER PIPING AND QUICK DISCONNECT TO EQUIPMENT.
 I. PROVIDE STAINLESS STEEL DOUBLE CHECK BACKFLOW PREVENTER EQUAL TO WATTS SS007Q-T-S ON RC WATER SUPPLY. PROVIDE PEX TUBING ON DOWNSTREAM SIDE OF BACKFLOW PREVENTER.
 J. INSTALL THERMOSTATIC MIXING VALVE FURNISHED WITH SINK WITH HARD PIPED CONNECTIONS TO ANGLE STOPS AND FLEXIBLE CONNECTIONS BETWEEN THERMOSTATIC MIXING VALVE, FOOT PEDAL (PEDESTAL HAND SINK) OR KNEE LEVER (WALL MOUNTED HAND SINK) OR WRIST BLADE LEVERS (ADA WALL MOUNTED HAND SINK) AND SINK. SET AT 105°F.
 K. IF NO WATER IS NOT AVAILABLE, PROVIDE INDIVIDUAL WATER FILTER PACKS AS REQUIRED BY WALMART CONSTRUCTION MANAGER.
 L. PLUMBING CONTRACTOR SHALL FURNISH AND INSTALL EXPOSED DOUBLE CHECK BACKFLOW PREVENTER (WATTS R07 OR EQUAL).
 M. PROVIDE COLD WATER INJECTOR OPTION IF ON PLAN OR REQUIRED BY AHJ. REQUIRES 1/2" CW LINE AT FLOOR DRAIN, MODEL #CWI-500.
 N. REFER TO ARCHITECTURAL DRAWINGS FOR HAND SINK LEFT (L) AND RIGHT (R) DESIGNATIONS WHICH INDICATE INTEGRAL SPLASHGUARD LOCATIONS OR HAND SINK (H) FOR ADA DESIGNATION.



5 WATER HEATER NTS

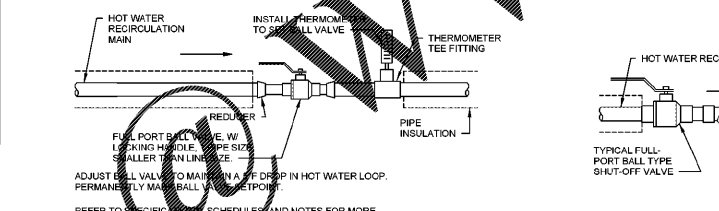
TOILET PLUMBING FIXTURE SCHEDULE								
MARK	FIXTURE	BRANCH SIZES (MIN)			MANUFACTURER	MODEL	TRIM AND ACCESSORIES	NOTES
		CW	HW	WASTE/VENT				
L16	LAVATORY DECK 3-STATION TEMPERED	1/2"	1 1/2"	1 1/2"	LEVANTINA STONE AND STEEL	DSCT-83000-90-SB	LEVANTINA WALL MOUNTED, ONE-PIECE QUARTZ DECK (SNOWFALL) STONE AND STEEL, WALL MOUNTED, ONE-PIECE QUARTZ DECK (SNOW BLIND) BOWL, CHINA SHELL CH-5360 UNDERMOUNT 15"X13" CHINA BOWL(S). BASE: ACORN STAINLESS STEEL APRON (AP-3, 3 BOWL) HINGED TRAP AND PIPING ENCLOSURE. FAUCET: TOTO TEL 445-DIE - 0.5 GPM SENSOR OPERATED SELF-GENERATING POWER SYSTEM. CHROME PLATED BRASS P-TRAP WITH CLEANOUT, GRID STRAINER WITH TAILPIECE CONNECTION ACCESSORIES: (1) STOP VALVE, (1) 3/8"X1/2" SS BRAIDED WATER SUPPLY PER FAUCET, TMV NOT REQUIRED.	F
L22	LAVATORY DECK TEMPERED	1/2"	1 1/2"	1 1/2"	LEVANTINA STONE AND STEEL	DSOT-81000-30-SB	LEVANTINA WALL MOUNTED, ONE-PIECE QUARTZ DECK (SNOWFALL) BOWL, CHINA SHELL CH-5360 UNDERMOUNT 15"X13" CHINA BOWL. BASE: ACORN STAINLESS STEEL APRON (AP-1, 1 BOWL) HINGED TRAP AND PIPING ENCLOSURE. FAUCET: TOTO TEL 445-DIE - 0.5 GPM SENSOR OPERATED SELF-GENERATING POWER SYSTEM. CHROME PLATED BRASS P-TRAP WITH CLEANOUT, GRID STRAINER WITH TAILPIECE CONNECTION ACCESSORIES: (1) STOP VALVE, (1) 3/8"X1/2" SS BRAIDED WATER SUPPLY PER FAUCET, TMV NOT REQUIRED.	F

WATER HEATERS / STORAGE TANKS							
MARK	AREA SERVED	MANUFACTURER	MODEL	TANK SIZE (GAL)	HEAT INPUT (MBH KW)	ELECTRICAL (V PH HZ)	NOTES
WH8	VISION CENTER	A.O. SMITH RHEEM BRADFORD WHITE	PREFERRED DEL-6 COMMERCIAL EG9R8 COMMERCIAL LE16US-1	6	2 120	1 60	A

- GENERAL INFORMATION (WATER HEATERS):
 1. PROVIDE IN-COIL HEATING ELEMENTS FOR ELECTRIC WATER HEATERS.
 2. PROVIDE ASME TEMPERATURE AND PRESSURE RELIEF VALVE FOR ALL WATER HEATERS AND STORAGE TANKS.
 3. PROVIDE VACUUM RELIEF VALVES FOR ALL WATER HEATERS AND STORAGE TANKS.
 4. 140°F OUTLET TEMPERATURE.
- NOTES:
 A. INSTALL WATER HEATER ON PLATFORM PROVIDED BY GENERAL CONTRACTOR. REF ARCH DRAWINGS FOR WATER HEATER SUPPORT DETAIL.
 B. PROVIDE 4" THICK CONCRETE HOUSEKEEPING PAD.
 C. PROVIDE EXPANSION TANK ETA.
 D. PROVIDE EXPANSION TANK ETB.
 E. PROVIDE EXPANSION TANK ETC.
 F. PROVIDE NON-SIMULTANEOUS, DUAL-ELEMENT OPERATION. SCHEDULED KW IS FOR INDIVIDUAL ELEMENT.
 G. PROVIDE SIMULTANEOUS, MULTIPLE ELEMENT OPERATION.
 H. RECOVERY RATE: 145 GPH AT 100°F RISE.
 I. RECOVERY RATE: 190 GPH AT 100°F RISE.
 J. RECOVERY RATE: 230 GPH AT 100°F RISE.
 K. PROVIDE CONDENSATE NEUTRALIZATION KIT (JIM BOILER WORKS OR EQUAL) PER MANUFACTURER'S RECOMMENDATIONS WHEN REQUIRED BY LOCAL CODE.
 L. CONTRACTOR PROVIDED DRAIN PAN.

EQUIVALENT NOMINAL PIPE SIZES			
PLAN SIZE (COPPER)	POLYPROPYLENE	PEX	PEX
1/2"	1/2"	1/2"	1/2"
3/4"	3/4"	3/4"	1"
1"	1"	1"	1 1/4"
1 1/4"	1 1/2"	1 1/4"	1 1/2"
1 1/2"	2"	1 1/2"	2"
2"	2 1/2"	2"	2"
2 1/2"	3"	2 1/2"	N/A
3"	3 1/2"	3"	N/A
4"	5"	4"	N/A

NOTE: REFER TO SPECIFICATIONS FOR APPROVED MANUFACTURERS.

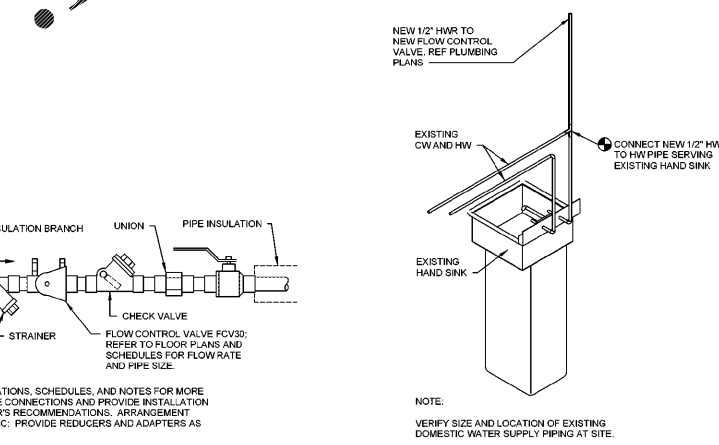


8 BALANCING VALVE ASSEMBLY NTS

CLEANOUT SCHEDULE			
MARK	MANUFACTURER	MODEL	DESCRIPTION
FC01	ZURN SIOUX CHIEF MIFAB JAY R. SMITH WATTS WATTS CATEY	Z-400 852 C1100 4231 52000 CO-200-RX-4 1-0000	CAST IRON OR PVC BODY. ROUND EXTRA HEAVY-DUTY CAST OR DRILLED TOP. POLYPROPYLENE OR ABS PLUG, ADJUSTABLE TO FINISH SURFACE.
WCO	ZURN SIOUX CHIEF MIFAB JAY R. SMITH WATTS WATTS WADE	21470 (21469) 873 C1430 44727 58540 (58500) CO-360-RD 8590 (846R)	THREADED COUNTERSINK BRONZE OR POLYETHYLENE CLEANOUT WHEEL. (PROVIDE DRILLED TAP FOR CENTER SCREW AND STAINLESS STEEL COVER FOR FINISHED AREAS.)

FLOOR DRAIN SCHEDULE			
MARK	MANUFACTURER	MODEL	DESCRIPTION
FD1	SIOUX CHIEF JOSAM MIFAB JAY R. SMITH WATTS WATTS	842 4403 44727 72200 730	LIGHT DUTY ADJUSTABLE WITH THREADED ADAPTER AND 6" DIAMETER NICHOL BRONZE RING AND ASTERITE GRATE
FD3	SIOUX CHIEF JOSAM MIFAB JAY R. SMITH WATTS WATTS	730 340 730	LIGHT DUTY PVC WITH 9" DIAMETER LOOSE SET PVC HALF GRATE
FD4SS	SIOUX CHIEF JOSAM MIFAB JAY R. SMITH WATTS WATTS	730 340 730	STAINLESS STEEL FLOOR DRAIN, 6" X 6" SQUARE TOP, SECURED GRATE
FS1	SIOUX CHIEF JOSAM MIFAB JAY R. SMITH WATTS WATTS	730 340 730	ADJUSTABLE, ACID RESISTANT, WHITE PVC FLOOR SINK WITH 12" SQUARE WHITE PVC GRATE AND STAINLESS STEEL DEBRIS BUCKET WITH LIFTING HANDLE. REF PLANS FOR LOCATIONS WHERE FULL GRATES ARE SPECIFIED.

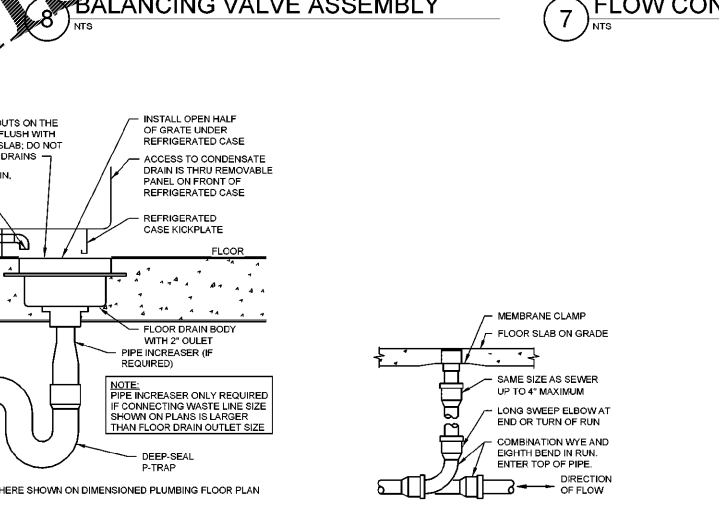
- GENERAL INFORMATION (AS APPLICABLE):
 1. REFER TO PLANS FOR DRAIN OUTLET SIZE.
 2. LOAD CLASSIFICATIONS: LIGHT DUTY <2000 LBS, MEDIUM DUTY 2000 TO 4999 LBS, HEAVY DUTY 5000 TO 7499 LBS, EXTRA HEAVY DUTY 7500 TO 9999 LBS.



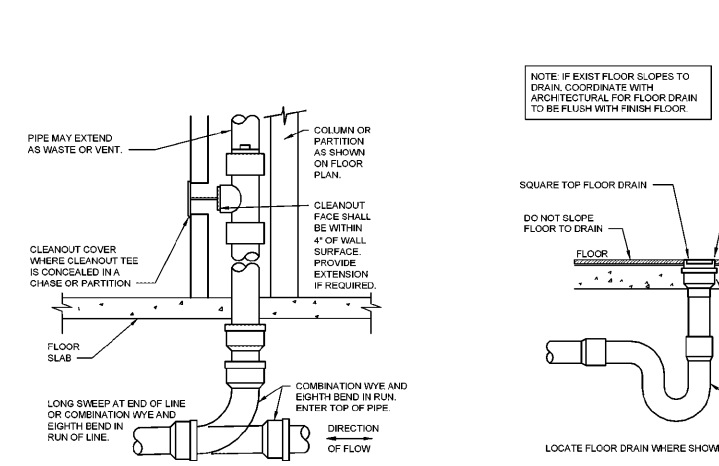
7 FLOW CONTROL VALVE TRAIN NTS

PLUMBING SYMBOLS	
SS	SANITARY SEWER
CW	GREASE WASTE
OW	OIL WASTE
ST	STORM SEWER
RD	ROOF DRAIN LINE
ORD	OVERFLOW ROOF DRAIN LINE
---	DOMESTIC COLD WATER
---	DOMESTIC HOT WATER
---	DOMESTIC HOT WATER RETURN
IRW	IRRIGATION WATER
T	TRAP OR TEMPERED WATER
F	FILTER WATER
G	NATURAL GAS
---	COMPRESSED AIR
---	CONDENSATE DRAIN
RO	REVERSE OSMOSIS WATER
V	PLUMBING VENT
VAC	PLUMBING VACUUM
U	UNION
R	GAS PRESSURE REGULATOR
GC	GAS COCK
C	ELBOW - TURNED DOWN
U	ELBOW - TURNED UP
T	TEE - TURNED DOWN
U	TEE - TURNED UP
B	BALL VALVE
F	FLOW CONTROL VALVE
P	PLUG VALVE
SH	SHUT-OFF VALVE IN VERTICAL LINE
BP	BACKFLOW PREVENTER
M	WATER METER
WA	WATER HAMMER ARRESTOR
T	THERMOMETER
T & P	T & P RELIEF VALVE
TMV	THERMOSTATIC MIXING VALVE
FD	FLOOR DRAIN
RF	ROOF DRAIN/OVERFLOW ROOF DRAIN
RS	FLOOR SINK
FCO	FLOOR CLEANOUT
YCO	YARD CLEANOUT
FPW	FREEZE PROOF WALL HYDRANT
HB	HOSE BIBB
WCO	WALL CLEANOUT
CE	CONNECT TO EXISTING
ETR	EXISTING TO REMAIN
DP	DEMO PIPE
AS	AREA OF SLAB CUT
VBF	VENT BELOW FLOOR

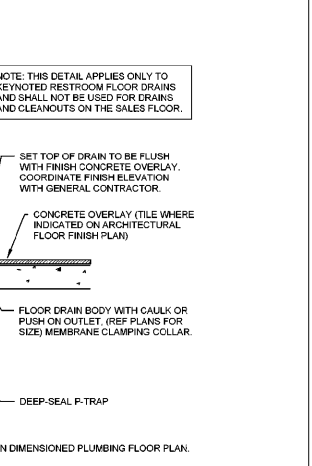
6 HAND SINK HWR CONNECTION NTS



4 REFRIGERATED CASE DRAIN NTS



2 WALL CLEANOUT NTS



1 OPEN FLOOR AREA DRAIN - RR NTS

EXISTING CONDITIONS WERE TAKEN FROM ORIGINAL DRAWINGS AND MAY NOT REFLECT EXACT "AS-BUILT" CONDITIONS. CONTRACTOR SHALL FIELD VERIFY ALL EXISTING CONDITIONS PRIOR TO SUBMITTING FINAL BIDS. CONTRACTOR SHALL CAREFULLY COORDINATE NEW WORK AND DEMOLITION WITH ALL OTHER DISCIPLINES AND EXISTING CONDITIONS.

EACH SUBCONTRACTOR IS RESPONSIBLE FOR HAVING A THOROUGH KNOWLEDGE OF ALL DRAWINGS AND SPECIFICATIONS IN THEIR RELATED FIELD. THE FAILURE TO ACQUAINT THEMSELVES WITH THIS KNOWLEDGE DOES NOT RELIEVE THE RESPONSIBILITY OF PERFORMING THE WORK PROPERLY. NO ADDITIONAL COMPENSATION SHALL BE ALLOWED BECAUSE OF CONDITIONS THAT OCCUR DUE TO FAILURE TO FAMILIARIZE WORKERS WITH THIS KNOWLEDGE.

brr
 ARCHITECT OF RECORD:
 DOWN P. FRANK
 811 W. HICKORY AVENUE
 OVERLAND PARK, KS 66204
 www.brr.com
 TEL: 913-342-9000
 FAX: 913-342-9004

STIPULATION FOR REUSE:
 THIS DRAWING WAS PREPARED FOR THE PROJECT IDENTIFIED HEREIN. IT IS THE PROPERTY OF THE ARCHITECT AND IS NOT TO BE REPRODUCED OR TRANSMITTED IN ANY FORM OR BY ANY MEANS, ELECTRONIC OR MECHANICAL, INCLUDING PHOTOCOPYING, RECORDING, OR BY ANY INFORMATION STORAGE AND RETRIEVAL SYSTEM, WITHOUT THE WRITTEN PERMISSION OF THE ARCHITECT.

CONSULTANTS:
HENDERSON
 ENGINEERS
 885 LEBLANCHE DRIVE, SUITE 300
 WEST PLAZA, WILMINGTON, DE 19801
 TEL: 303.425.2000 FAX: 303.425.2001
 WWW.HENDERSONENGINEERS.COM
 CA. LICENSE NO. 120116-00000214
 EXP. DATE 03/31/2024

Walmart
 ATLANTA (GRESHAM)
 2427 GRESHAM RD SE, 30316
 STORE NO. 103709-2233
 JOB NUMBER: 2186602706 | PHOTO: 2186602706

ISSUE LOG	
NO.	DESCRIPTION

CHECKED BY: JME
 DRAWN BY: HKM
 PHOTO CYCLE: 09/25/20
 DOCUMENT DATE: 11/20/20

NOT FOR CONSTRUCTION

PLUMBING DETAILS AND SCHEDULES

SHEET: P2