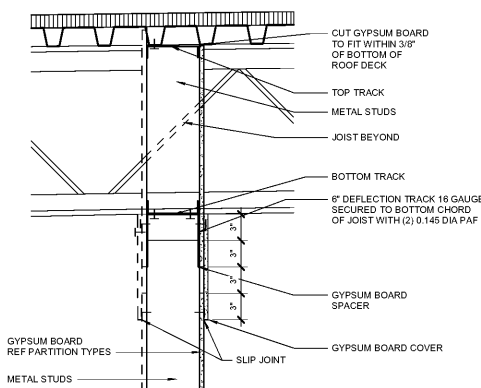
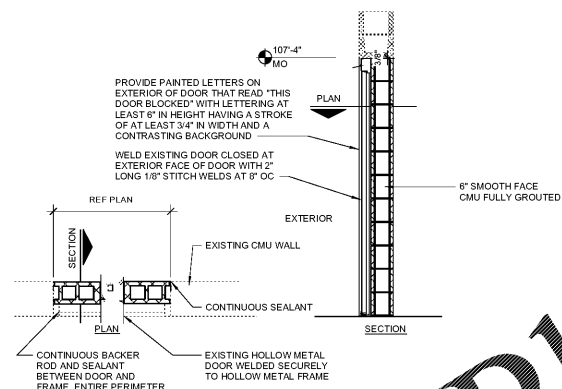


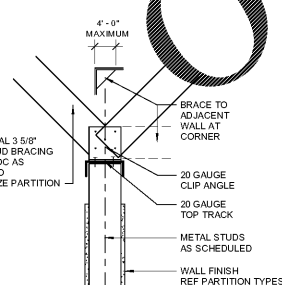
12 CEILING JOIST ATTACHMENT
1 1/2" = 1'-0" RM SC: A6 RM WMN: --



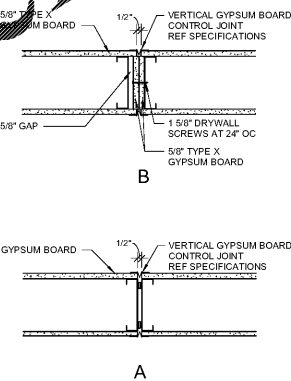
11 PARTITION ATTACHMENT AT PERPENDICULAR JOIST
1 1/2" = 1'-0" RM SC: A6 RM WMN: --



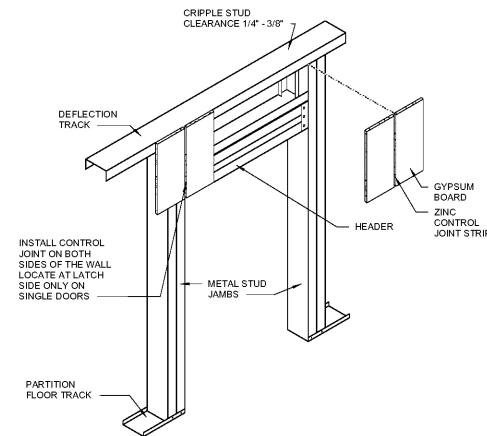
7 INFILL DETAIL AT CMU WALL
1 1/2" = 1'-0"



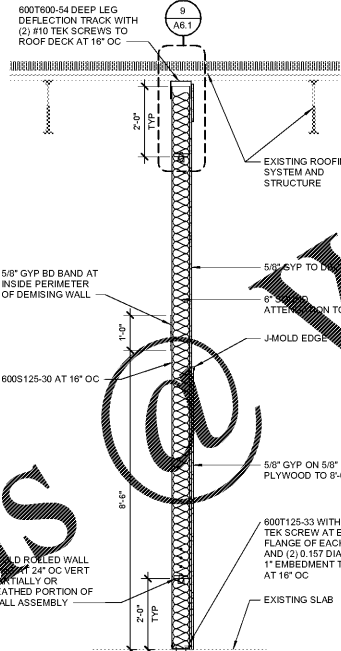
4 PARTITION BRACING
1 1/2" = 1'-0"



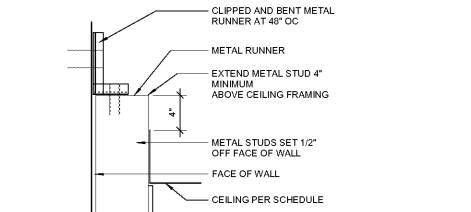
3 GYPSUM BOARD CONTROL JOINT
1 1/2" = 1'-0"



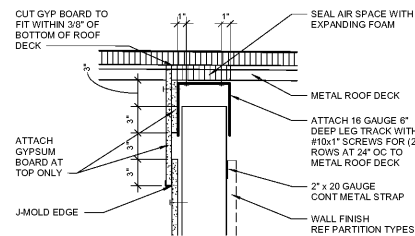
2 CONTROL JOINT AT DOOR JAMB
1 1/2" = 1'-0"



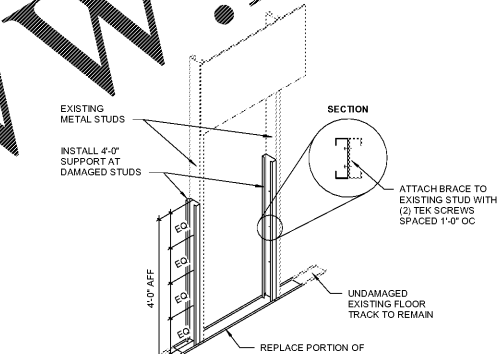
6 DEMISING WALL
1 1/2" = 1'-0"



10 FURRING ATTACHMENT TO WALL
1 1/2" = 1'-0"



9 NON-RATED CAPTURE TRACK
1 1/2" = 1'-0" RM SC: A6 RM WMN: --

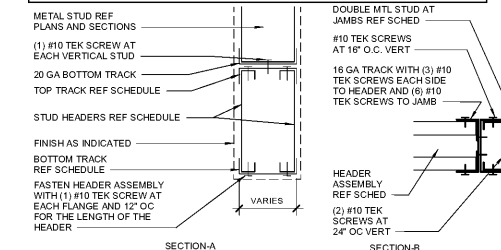


5 REPLACEMENT FRAMING DETAIL
1 1/2" = 1'-0"

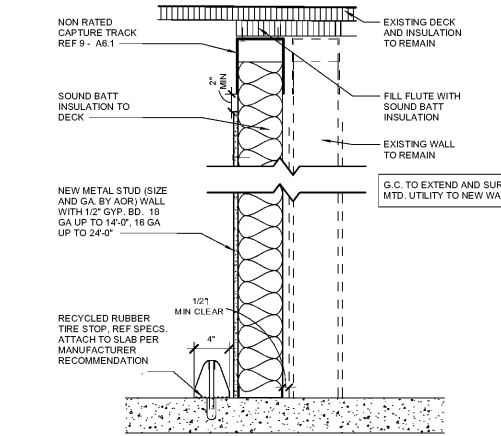
INTERIOR NON-LOAD BEARING PARTITION HEADER SCHEDULE

HEADER LENGTH	HEADER MEMBERS	HEADER TRACKS	JAMB STUDS
UP TO 4'-0"	(2) C3 5/8x1 1/4x20 GA	(2) C3 5/8x20 GA	(2) C3 5/8x1 1/4x20 GA
UP TO 10'-0"	(2) C6x1 5/8x18 GA	(2) C6x18 GA	(2) C6x1 5/8x18 GA
OVER 10'-0" & UP TO 14'-0"	(2) C8x1 5/8x18 GA	(2) C8x18 GA	(2) C8x1 5/8x18 GA
OVER 14'-0" & UP TO 18'-0"	(2) C8x1 5/8x18 GA	(2) C8x18 GA	(2) C8x1 5/8x18 GA
OVER 18'-0" & UP TO 20'-0"	(2) C10x1 5/8x18 GA	(2) C10x18 GA	(2) C10x1 5/8x18 GA
OVER 20'-0" & UP TO 24'-0"	(2) C12x1 5/8x18 GA	(2) C12x18 GA	(2) C12x1 5/8x18 GA

NOTES:
1. MAX WALL HEIGHT ABOVE HEADER ASSEMBLY IS 14'-0"
2. SPLICING OF HEADER AND JAMB MEMBERS IS NOT PERMITTED
3. MAX SPAN FOR OPENINGS TO RECEIVE INFILL BELOW THE HEADER IS 19'-0"
4. JAMBS NOT TO DECK ARE TO BE BRACED IN ACCORDANCE WITH THE PARTITION BRACING DETAILS. 3 5/8" JAMBS BEYOND 13'-4" ARE TO BE BRACED ABOVE THE OPENING AND SUCH THAT THE MAXIMUM UNBRACED LENGTH IS NOT EXCEEDED
5. FRAMING MEMBERS ARE NOT SIZED FOR VERTICAL LOAD OTHER THAN THAT OF THE PORTION OF WALL ABOVE THE OPENING.

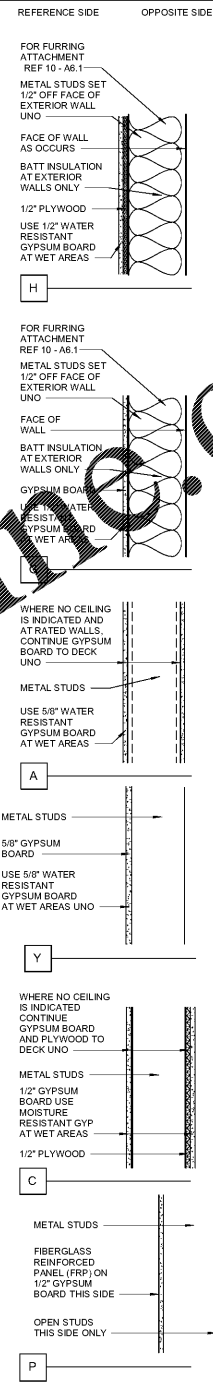


1 HEADER CONNECTION DETAIL
1 1/2" = 1'-0"



8 SOUND BATT AT HEALTH AND WELLNESS WALL ASSEMBLY
1 1/2" = 1'-0"

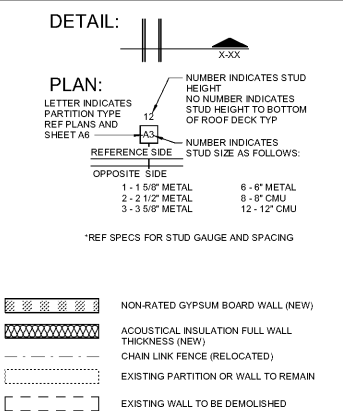
PARTITION TYPES



PARTITION NOTES

- NOT USED
- USE 1/2" GYPSUM BOARD ON NON-RATED PARTITIONS UNO.
- USE 5/8" TYPE X GYPSUM BOARD ON FIRE RATED PARTITIONS.
- CONTINUE FINISH MATERIAL TO A MINIMUM OF 4" ABOVE SUSPENDED CEILING SYSTEMS UNO.
- WHERE NO CEILING IS INDICATED CONTINUE FINISH TO DECK UNO. MAINTAIN CLEARANCE BELOW STRUCTURE PER CAPTURE TRACK DETAILS.
- STUD PARTITIONS REQUIRING A FIRE RATING OF ONE HOUR SHALL COMPLY WITH UL1419, UL14465 OR UL1442. MASONRY PARTITIONS REQUIRING ONE HOUR FIRE RATING SHALL COMPLY WITH UL14465.
- NOT USED
- REF SPECIFICATIONS FOR LATERAL BRACING OF STUD PARTITIONS.
- PROVIDE ALTERNATING DIAGONAL METAL STUD BRACING ABOVE THE CEILING FOR INTERIOR WALL STUDS THAT DO NOT GO TO DECK. REF 4 - A6.1
- USE GYPSUM BOARD BEHIND ALL FRP BOARD UNO.
- WHERE NO CEILING IS SCHEDULED, STOP 1/2" PLYWOOD SUBSTRATE AT 10'-0" AFF.
- PROVIDE FIRE BLOCKING AT FLOOR AND ROOF LEVELS, CONCEALED SPACES BETWEEN STARWAY STRINGERS, PENETRATIONS IN FLOOR/CEILING ASSEMBLIES AND OTHER LOCATIONS AS REQUIRED BY CODE.
- NOT USED
- ON RESTROOMS, PREVENT PORCELAIN TILE, UPPER PAINTED FLOOR FINISH, RESISTANT GYPSUM BOARD IN LIEU OF GYPSUM BOARD AND JOINTS ARE PARTITION AS REQUIRED BY THE SPECIFICATIONS.
- WHEN BRACING OR BRACING ANY OTHER FIRE RATED PARTITION, ALL BRACING SHALL BE IN ACCORDANCE WITH THE SPECIFICATIONS.
- PROVIDE SEALS TO EXISTING PENETRATIONS IN EXISTING FRP TO MAINTAIN FIRE RATING.
- WALLS SHALL BE SUPPORTED LENGTH GREATER THAN THE LIMITS OF THE SPECIFICATIONS ARE TO BE BRACED ABOVE THE CEILING AND AT NO GREATER THAN THE MAXIMUM SUPPORTED LENGTH.
- STUD PARTITION WALL FRAMING DAMAGE, REF 5 - A6.1

PARTITION LEGEND



brr

ARCHITECT OF RECORD:
JOHN P. FRANK
1115 NORTON AVE
ATLANTA, GA 30309
www.brr.com
TEL: 513-242-9295
FAX: 513-242-9454

STIPULATION FOR REUSE:
THIS IS A PROFESSIONAL ARCHITECTURAL DRAWING. IT IS THE PROPERTY OF BRR. IT IS TO BE USED ONLY FOR THE PROJECT AND SITE SPECIFICALLY IDENTIFIED HEREON. IT IS NOT TO BE REPRODUCED, COPIED, REPRINTED, OR TRANSMITTED IN ANY FORM OR BY ANY MEANS, ELECTRONIC OR MECHANICAL, INCLUDING PHOTOCOPYING, RECORDING, OR BY ANY INFORMATION STORAGE AND RETRIEVAL SYSTEM, WITHOUT THE WRITTEN PERMISSION OF BRR.

CONSULTANTS:

Walmart
ATLANTA (GRESHAM), GA
2427 GRESHAM RD SE 30316
STORE NO. 03709-233
JOB NUMBER: 8645888 | PROJECT:

2021 SPRB-R

ISSUE BLOCK

CHECKED BY: MED
DRAWN BY: MED
PROTO CYCLE: 10/30/20
DOCUMENT DATE: 11/20/20

NOT FOR CONSTRUCTION

PARTITION TYPES AND WALL DETAILS

SHEET: A6.1