

KEYNOTES

- 10.11 MIRROR
- 10.33 2"x2" HIGH IMPACT CORNER TRIM



ARCHITECT OF RECORD:
JOHN P. FRANK
5125 NATIONAL AVE
ATLANTA, GA 30328
www.brrinc.com
TEL: 404-252-9095
FAX: 404-252-9044

STIPULATION FOR REUSE
THIS DOCUMENT IS THE PROPERTY OF BRR INC. AND IS TO BE USED ONLY FOR THE PROJECT AND LOCATION IDENTIFIED HEREIN. IT IS NOT TO BE REPRODUCED, COPIED, DULY OR OTHERWISE FOR ANY OTHER PROJECT OR LOCATION WITHOUT THE WRITTEN CONSENT OF BRR INC.

CONSULTANTS

Walmart
ATLANTA (GRESHAM), GA
2427 GRESHAM RD SE 30516
STORE NO. 03709-233
2021 SP8B-R
JOB NUMBER: 9645888 | PHOTO: []

ISSUE BLOCK

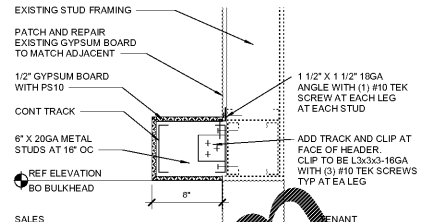
NO.	DESCRIPTION	DATE

CHECKED BY: []
DRAWN BY: MED
PROTO CYCLE: 10/30/20
DOCUMENT DATE: 11/20/20

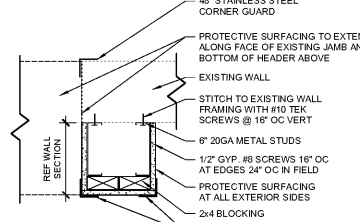
NOT FOR CONSTRUCTION

ENLARGED PLANS AND DETAILS

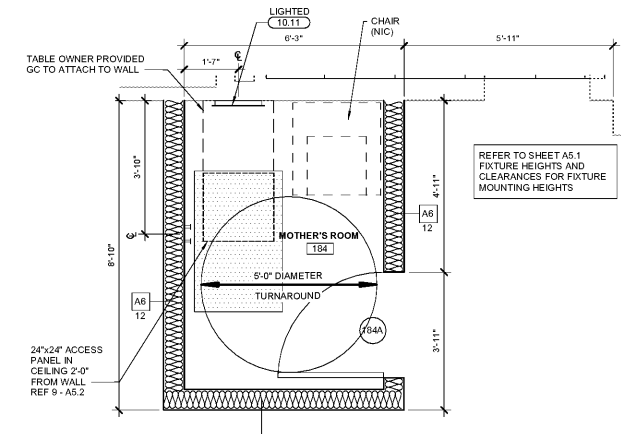
SHEET: A5.5



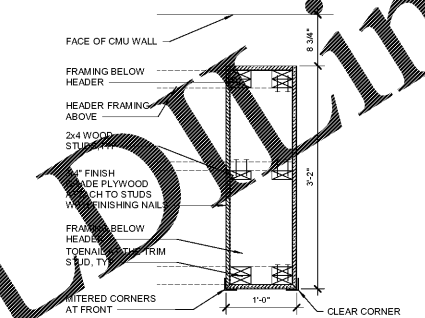
12 TENANT CANOPY DETAIL
1/12" = 1'-0"



13 PORTAL JAMB
1/12" = 1'-0"

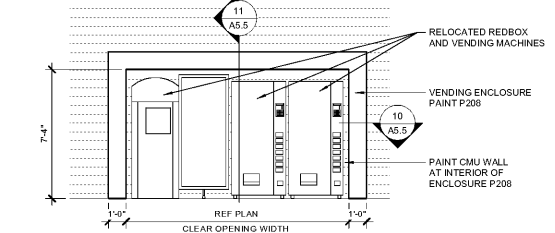


14 ENLARGED MOTHER'S ROOM
1/2" = 1'-0"

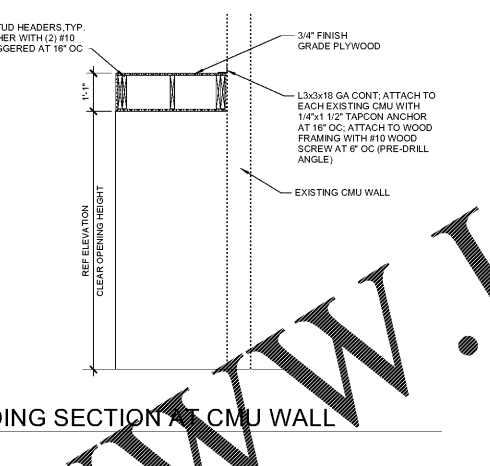


10 SECTION
1" = 1'-0"

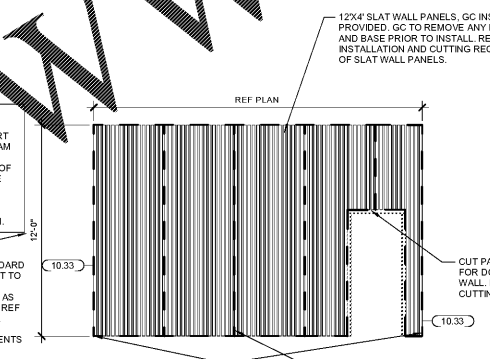
9 ACC BULKHEAD
1/12" = 1'-0"



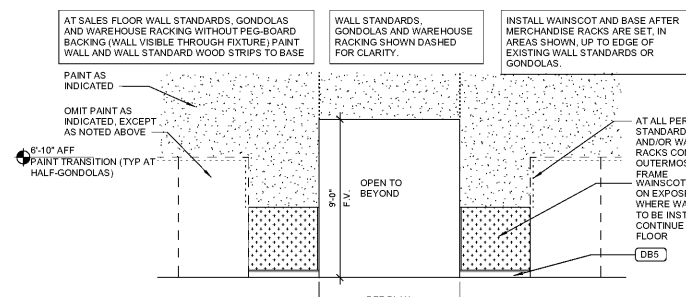
5 VENDING SURROUND ELEVATION
1/4" = 1'-0"



11 VENDING SECTION AT CMU WALL
1/2" = 1'-0"

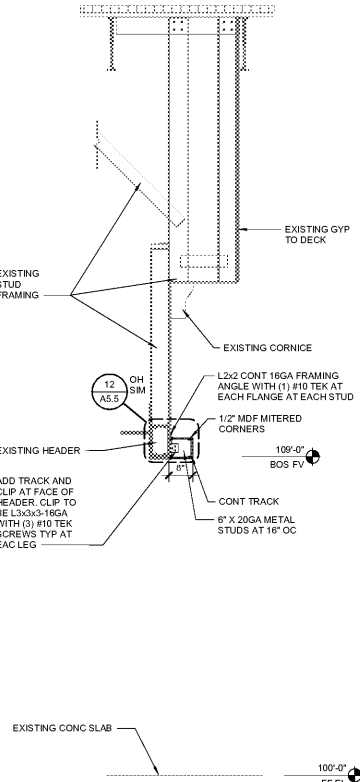


6 VESTIBULE SLAT WALL ELEVATION
1/4" = 1'-0"

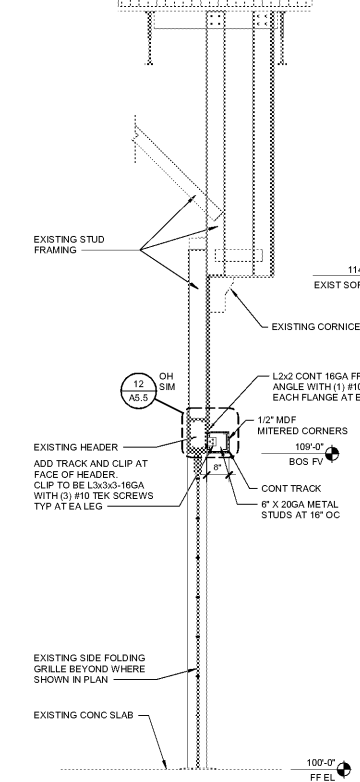


2 SALES WALL FINISHES @ PERIMETER HALF-GONDOLAS
1/4" = 1'-0"

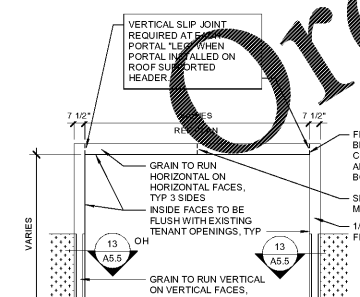
184 MOTHER'S ROOM
WALLS
- PAINT ALL WALLS P204 WITH PS7 WAINSCOT AND DB5 BASE UND.
FLOOR
- EXISTING EXPOSED CONCRETE FLOOR TO REMAIN.
CEILING
- NEW 5/8" GYP BOARD AT 9'-0" AFF P131. REF 12-8-1



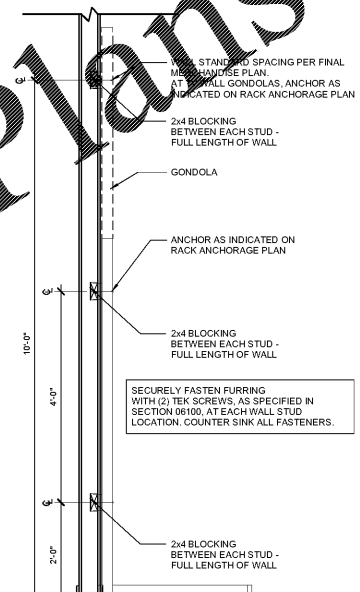
8 WALL SECTION AT BULKHEAD
1/2" = 1'-0"



7 WALL SECTION
1/2" = 1'-0"



4 PORTAL ELEVATION - TENANT
1/4" = 1'-0"

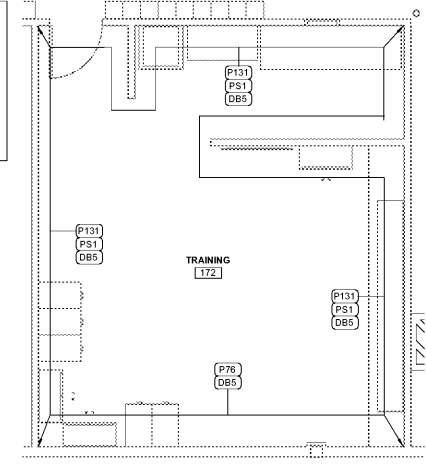


3 GONDOLA ANCHORING ON STUD WALL
3/4" = 1'-0"

Order Plans @ WWW.LDDOnline.com

GC TO COORDINATE WITH WALMART SECURITY TEAM FOR RELOCATION OF ANY SURFACE MOUNTED DEVICES AT SLAT WALL INSTALLATION.

172 TRAINING
WALLS
- REF 1-A5.5.
FLOOR
- VCT; REF FLOOR FINISH PLAN.
- ICC OR NC; ETR
CEILING
- REF SHEET SA1 FOR CEILING SCHEDULE.
MILLWORK
- ETR.



1 TRAINING ROOM FINISH PLAN
1/4" = 1'-0"