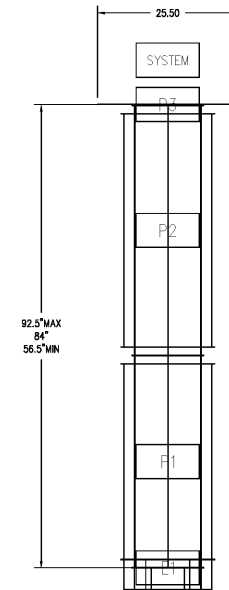


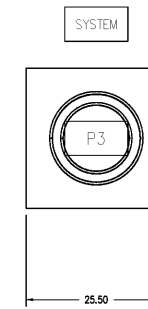
DuctWork #2 Parts - Job#4395736 DW-Fry

Tag	Part #	CFM	SP	Weight	Velocity	QTY	Description
P1	DW1247DWAJD-2R-S	1000	-0.011	83.19	1273.24	1	Double Wall Adjustable Duct - 12" Inner Duct - 2 Layers Reduced Clearance - 16" Stainless Steel Outer Shell. Min Length = 11' / Max Length = 48.5' / Adjustment = 30.5' / Adjustable Section May Need To Be Cut. Includes single and double wall "V" Clamps.
P2 Assembled w/P3	DW124560DWLTP-2R-S	1000	-0.013	53.52	1273.24	1	Double Wall Duct - 12" Inner Duct, 45.5" long - 2 Layers Reduced Clearance - 16" Stainless Steel Outer Shell - Used With Transition Plate.
P3 Assembled w/P2	DW2312IP	1000	0	8.02	1273.24	1	Duct to Curb Transition, 23" Curb to 12" Duct, 16 GA Aluminized. Misc. non-standard transition plate.
System at P3		1000	-0.4335				
	DW16DWRISER-2R-S			7.31		1	Double Wall Riser Cover - Used On 12" Inner Riser, 4" long - 2 Layers Reduced Clearance - 16" Stainless Steel Outer Riser Shell Assembly. Includes Insulation & Single V Clamps For Inner & Outer Connections.
	3M-2000PLUS			0.80		1	Duct - 3M Fire Barrier 2000 Plus Silicone - Used as sealant to Seal Duct Joints.
Total Weight				152.84			

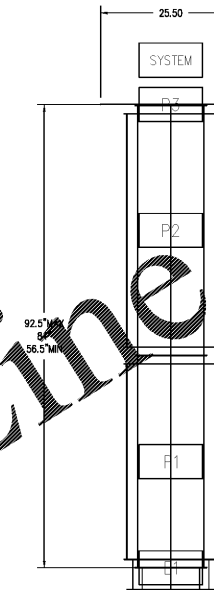
DuctWork #2 Front View  
DW-Fry



DuctWork #2 Top View  
DW-Fry



DuctWork #2 Side View  
DW-Fry



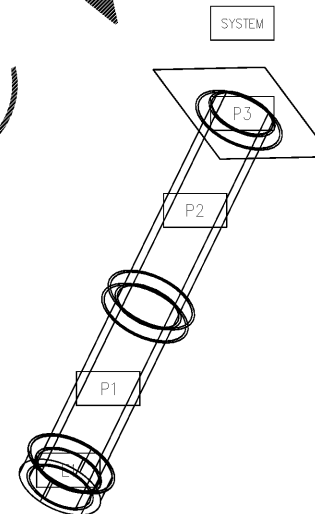
DOUBLE WALL FACTORY BUILT DUCTWORK

- ALL DUCTWORK IS REQUIRED TO BE INSTALLED WITH THE MAXIMUM SUPPORT SPACING LISTED BELOW.
- FOR A COMPLETE LIST OF APPROVED SUPPORT METHODS, SEE THE ENTIRE INSTALLATION AND OPERATION MANUAL.
- DUCTWORK SHALL SLOPE NOT LESS THAN 1/16" PER LINEAR FOOT TOWARDS THE HOOD OR AN APPROVED GREASE COLLECTION RESERVOIR.
- WHERE HORIZONTAL DUCTS EXCEED 75 FEET IN LENGTH, THE SLOPE SHALL NOT BE LESS THAN 3/16" PER LINEAR FOOT.

HORIZONTAL	
DUCT DIAMETER	SUPPORT SPACING (ft)
8"	7'
10"	7'
12"	7'
14"	7'
16"	7'
18"	5'
20"	5'
22"	5'
24"	5'

VERTICAL			
TYPE	WALL SUPPORT (ft)	CURB SUPPORT (ft)	FLOOR SUPPORT (ft)
2R & 2R HT	20'	24'	24'
3R	10'	24'	24'
3Z	10'	24'	24'

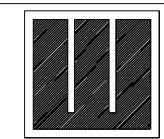
DuctWork #2 SE View  
DW-Fry



Order Plans @

WWW.LDILine.com

FOR QUESTIONS, CALL  
CAPTIVEAIRE REGION 71 - IA, NE, SD  
reg71@captiveaire.com  
PHONE: (319) 221-1188, (877) 321-1188



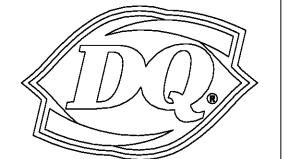
JAMES E. WILKERSON  
A.I.A.

119 East Tallulah Drive  
Greenville, S.C. 29605  
864-370-2582  
864-240-5375 f



FLA REG. PE 74427  
JOB NO. 202016

DQ GRILL & CHILL  
US HWY 90 (LOT 2)  
GLEN ST MARY, FL  
32040



GRILL & CHILL

AMERICAN DAIRY QUEEN  
MINNEAPOLIS, MN U.S.A.

\*REGISTERED U.S. PATENT OFFICE.  
AMERICAN DAIRY QUEEN CORPORATION.  
THIS DRAWING, ITS DESIGN DETAIL AND  
INVENTION ARE THE PROPERTY OF  
AMERICAN DAIRY QUEEN INC. (ADQ) AND  
SHALL NOT BE COPIED IN ANY MANNER  
NOR DISCLOSED TO ANY OUTSIDE  
PARTY WITHOUT ADQ CONSENT.

BUILDING TYPE:  
DAIRY QUEEN GRILL & CHILL  
CORE66  
STORE No. 45961

DRAWN, CHECKED, & APPROVED BY: ADQ  
DESIGN-ARCHITECTURE-CONSTRUCTION  
(DAC) DEPARTMENT

THIS IS "PLAN" NORTH  
FOR ACTUAL BUILDING  
ORIENTATION REFER TO  
SITE PLAN (BY OTHERS)

ISSUE DATE: 10/30/2020

REVISION DATE:

10/30/2020 Δ ISSUE FOR CONSTRUCTION

- Δ
- Δ
- Δ
- Δ
- Δ

EXHAUST HOOD  
DETAIL

SHEET NUMBER:

M4.8