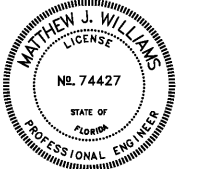


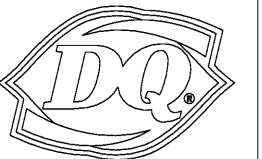
JAMES E. WILKERSON
A.I.A.

119 East Tallulah Drive
Greenville, S.C. 29605
864-370-2582
864-240-5375 f



FLA REG. PE 74427
JOB NO. 202016

DQ GRILL & CHILL
US HWY 90 (LOT 2)
GLEN ST MARY, FL
32040



GRILL & CHILL

AMERICAN DAIRY QUEEN
MINNEAPOLIS, MN U.S.A.

*REGISTERED U.S. PATENT OFFICE.
AMERICAN DAIRY QUEEN CORPORATION.
THIS DRAWING, ITS DESIGN DETAIL AND
INVENTION ARE THE PROPERTY OF
AMERICAN DAIRY QUEEN INC. (ADQ) AND
SHALL NOT BE COPIED IN ANY MANNER
NOR DISCLOSED TO ANY OUTSIDE
PARTY WITHOUT ADQ CONSENT.

BUILDING TYPE:
DAIRY QUEEN GRILL & CHILL
CORE66
STORE No. 45961

DRAWN, CHECKED, & APPROVED BY: ADQ
DESIGN-ARCHITECTURE-CONSTRUCTION
(DAC) DEPARTMENT

THIS IS "PLAN" NORTH
FOR ACTUAL BUILDING
ORIENTATION REFER TO
SITE PLAN (BY OTHERS)

ISSUE DATE: 10/30/2020

REVISION DATE:

10/30/2020 Δ ISSUE FOR CONSTRUCTION

- Δ
- Δ
- Δ
- Δ
- Δ

EXHAUST HOOD
DETAIL

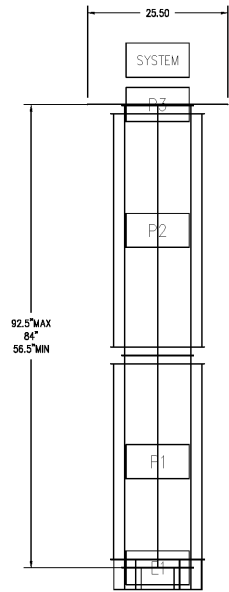
SHEET NUMBER:

M4.7

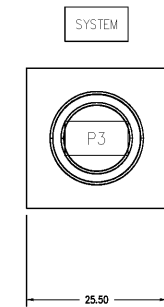
DuctWork #1 Parts - Job#4395736 DW-Char

Tag	Part #	CFM	SP	Weight	Velocity	QTY	Description
P1	DW1247DWAJD-2R-S	1100	-0.013	83.19	1400.56	1	Double Wall Adjustable Duct - 12" Inner Duct - 2 Layers Reduced Clearance - 16" Stainless Steel Outer Shell. Min Length = 11" / Max Length = 48.5" / Adjustment = 30.5" / Adjustable Section May Need To Be Cut. Includes single and double wall "V" Clamps.
P2 Assembled w/P3	DW1245500MLTIP-2R-S	1100	-0.015	53.52	1400.56	1	Double Wall Duct - 12" Inner Duct, 45.5" long - 2 Layers Reduced Clearance - 16" Stainless Steel Outer Shell - Used With Transition Plate.
P3 Assembled w/P2 System of P3	DW2312IP	1100	0	8.02	1400.56	1	Duct to Curb Transition, 23" Curb to 12" Duct, 16 GA Aluminized. Misc. non-standard transition plate.
	DW16DWRISER-2R-S			7.31		1	Double Wall Riser Cover - Used On 12" Inner Riser, 4" long - 2 Layers Reduced Clearance - 16" Stainless Steel Outer Riser Shell Assembly. Includes Insulation & Single V Clamps For Inner & Outer Connections.
	3M-2000PLUS			0.80		1	Duct - 3M Fire Barrier 2000 Plus Silicone - Used as sealant to Seal Duct Joints.
Total Weight				152.84			

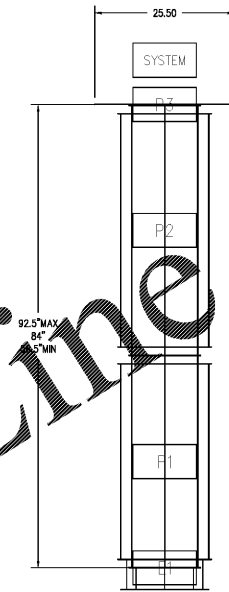
DuctWork #1 Front View
DW-Char



DuctWork #1 Top View
DW-Char



DuctWork #1 Side View
DW-Char



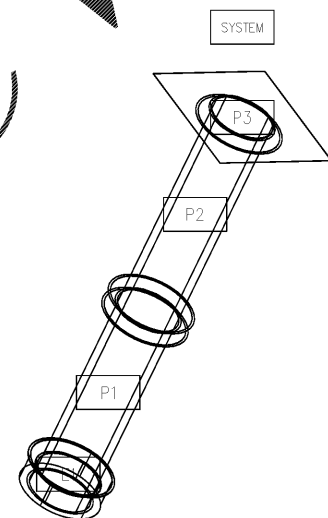
DOUBLE WALL FACTORY BUILT DUCTWORK

- ALL DUCTWORK IS REQUIRED TO BE INSTALLED WITH THE MAXIMUM SUPPORT SPACING LISTED BELOW.
- FOR A COMPLETE LIST OF APPROVED SUPPORT METHODS, SEE THE ENTIRE INSTALLATION AND OPERATION MANUAL.
- DUCTWORK SHALL SLOPE NOT LESS THAN 1/16" PER LINEAR FOOT TOWARDS THE HOOD OR AN APPROVED GREASE COLLECTION RESERVOIR.
- WHERE HORIZONTAL DUCTS EXCEED 75 FEET IN LENGTH, THE SLOPE SHALL NOT BE LESS THAN 3/16" PER LINEAR FOOT.

HORIZONTAL	
DUCT DIAMETER	SUPPORT SPACING (ft)
8"	7'
10"	7'
12"	7'
14"	7'
16"	7'
18"	5'
20"	5'
22"	5'
24"	5'

VERTICAL			
TYPE	WALL SUPPORT (ft)	CURB SUPPORT (ft)	FLOOR SUPPORT (ft)
2R & 2R HT	20'	24'	24'
3R	10'	24'	24'
3Z	10'	24'	24'

DuctWork #1 SE View
DW-Char



Order Plans @

WWW.LDILINE.COM

FOR QUESTIONS, CALL
CAPTIVEAIRE REGION 71 - IA, NE, SD
reg71@captiveaire.com
PHONE: (319) 221-1188, (877) 321-1188