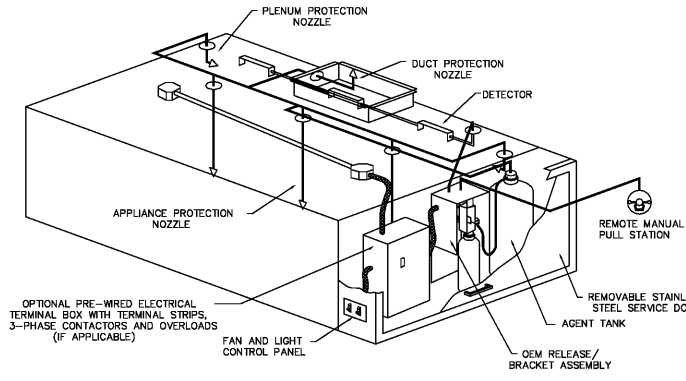


NOTES
 - FIELD PIPE DROPS AS SHOWN
 - SLEEVING, ELBOWS, TEES, AND NOZZLES SUPPLIED BY CAS
 - RELOCATE NOZZLES IF FLOW PATTERN IS BLOCKED BY SHELVE, SALAMANDERS, ETC.
 - MAXIMUM 9 ELBOWS IN SUPPLY LINE.
 - MINIMUM 72 INCHES OF AGENT LINE FROM TANK TO FIRST NOZZLE.
 - IF APPLICABLE, PRE-PIPED CHARBROILER DROPS ARE SHIPPED LOOSE.
 - FACTORY PIPING EXTENDS A MAXIMUM OF 6" ABOVE THE TOP OF THE HOOD.
 - APPLIANCE DIMENSIONS LISTED REPRESENT THE COOKING SURFACE SIZE, NOT THE OVERALL APPLIANCE SIZE.
 - THIS FIRE SYSTEM COMPLIES WITH U.L. 300 REQUIREMENTS

Job #: 3892806
 Job Name: Dairy Queen Core66_R1
 System Size: ANSUL-3.0/3.0 Total FP required: 15
 Hood # 1 4' 0.00" Long x 54" Wide x 30" High
 Riser # 1 Size: 12" Dia.
 Hood # 2 5' 0.00" Long x 54" Wide x 30" High
 Riser # 1 Size: 12" Dia.
 Hood # 2 Metal Blow-Off Caps included.

- LEGEND - FIRE CABINET ANSUL SYSTEM**
- 1A 1.5 GALLON TANK
 - 1B 3 GALLON TANK
 - 2 OEM AUTOMAN RELEASE
 - 3 OEM REGULATED RELEASE
 - 4 OEM REGULATED ACTUATOR
 - 5 ANSULX LIQUID AGENT (3 GAL.)
 - 6 ANSULX LIQUID AGENT (1.5 GAL.)
 - 7 CARTRIDGE (101-20)
 - 8 CARTRIDGE (101-10)
 - 9 CARTRIDGE (101-30)
 - 9A CARTRIDGE (LT-A-101-30)
 - 9B DOUBLE TANK CARTRIDGE
 - 10 TEST LINK
 - 11 DOUBLE MICROSWITCH
 - 12 HOSE ASSEMBLY
 - 1100 DUCT NOZZLE (430913)
 - 2W DUCT NOZZLE (419337)
 - 1W NOZZLE ASSEMBLY (419336)
 - 1F NOZZLE ASSEMBLY (419333)
 - 1N NOZZLE ASSEMBLY (419335)
 - 1/2N NOZZLE ASSEMBLY (419334)
 - 3N NOZZLE ASSEMBLY (419338)
 - 245 NOZZLE ASSEMBLY (419340)
 - 230 NOZZLE ASSEMBLY (419339)
 - 2120 NOZZLE ASSEMBLY (419343)
 - 290 NOZZLE ASSEMBLY (419342)
 - 260 NOZZLE ASSEMBLY (419341)
 - 28 DETECTOR BRACKET
 - 29 LOW TEMP FUSIBLE LINK
 - 30 HIGH TEMP FUSIBLE LINK
 - MGV MECHANICAL GAS VALVE
 - EGV ELECTRICAL GAS VALVE
 - 34 REMOTE MANUAL PULL STATION
 - S SWIVEL ADAPTOR



TYPICAL ANSUL R-102 SYSTEM LAYOUT

INCLUDES: FIELD INSTALLATION AND HOOKUP DURING NORMAL BUSINESS HOURS BY CERTIFIED INSTALLERS ONLY IN THE LOCATION NOTED ABOVE. TWO VISITS ONLY (ONE VISIT TO SET PULL STATION & SYSTEM HOOKUP AND ONE VISIT FOR ONE TEST); ADDITIONAL VISITS WILL RESULT IN ADDITIONAL CHARGES. ONE MECHANICAL GAS VALVE PER SYSTEM AT A MAXIMUM SIZE OF 2", PERMIT, AND SYSTEM TEST.
 EXCLUDES: UNION LABOR & PREVAILING WAGE (LABOR & WAGES WILL BE ADDED IF APPLICABLE), GAS VALVE INSTALLATION, ELECTRICAL HOOKUP AND CONNECTIONS, HANGING OF FIRE CABINET, SHUNT TRIP, HANDHELD EXTINGUISHER(S), ON-SITE RE-PIPING DUE TO EQUIPMENT LAYOUT CHANGES.

NOTES
 - FIELD PIPE DROPS AS SHOWN
 - SLEEVING, ELBOWS, TEES, AND NOZZLES SUPPLIED BY CAS
 - RELOCATE NOZZLES IF FLOW PATTERN IS BLOCKED BY SHELVE, SALAMANDERS, ETC.
 - MAXIMUM 9 ELBOWS IN SUPPLY LINE.
 - MINIMUM 72 INCHES OF AGENT LINE FROM TANK TO FIRST NOZZLE.
 - IF APPLICABLE, PRE-PIPED CHARBROILER DROPS ARE SHIPPED LOOSE.
 - FACTORY PIPING EXTENDS A MAXIMUM OF 6" ABOVE THE TOP OF THE HOOD.
 - APPLIANCE DIMENSIONS LISTED REPRESENT THE COOKING SURFACE SIZE, NOT THE OVERALL APPLIANCE SIZE.
 - THIS FIRE SYSTEM COMPLIES WITH U.L. 300 REQUIREMENTS

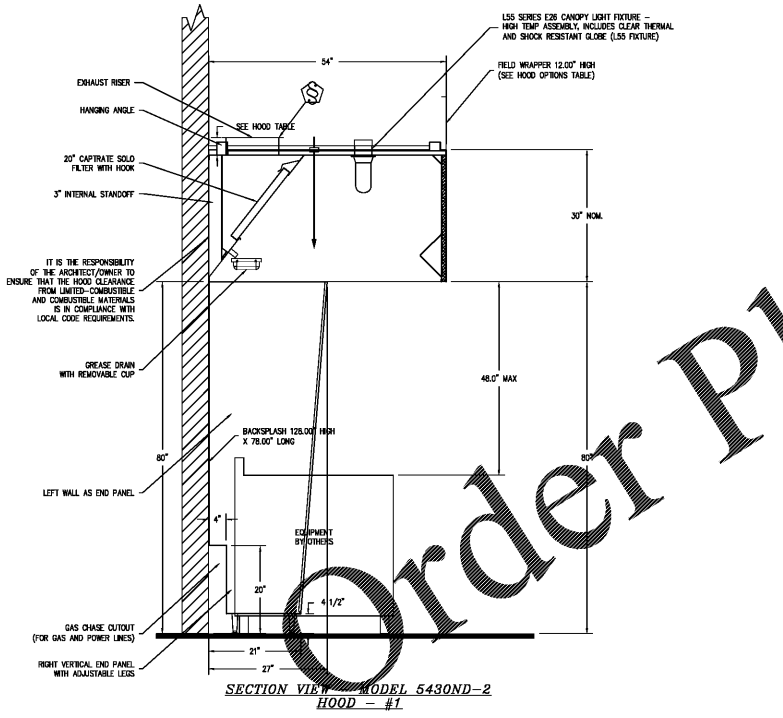
SPECIFICATIONS
 THE RESTAURANT FIRE SUPPRESSION SYSTEM SHALL BE THE PRE-ENGINEERED TYPE, WITH A FIXED NOZZLE AGENT DISTRIBUTION NETWORK. IT SHALL BE LISTED WITH UNDERWRITERS LABORATORIES, I.P.C. (UL).
 THE SYSTEM SHALL BE CAPABLE OF AUTOMATIC DETECTION AND ACTUATION WITH EITHER REMOTE MANUAL PULL STATION. ACCESSORIES SHALL BE AVAILABLE FOR MECHANICAL OR ELECTRICAL GAS LINE SHUT-OFF APPLICATIONS.
 THE EXTINGUISHING AGENT SHALL BE A POTASSIUM CARBONATE, POTASSIUM ACETATE-BASED FORMULATION DESIGNED FOR FLAME KNOCKDOWN AND SECUREMENT OF GAS-RELEASED FIRES. IT SHALL BE AVAILABLE IN PLASTIC CONTAINERS WITH INSTRUCTIONS FOR LIQUID AGENT HANDLING AND USAGE.
 THE REGULATED RELEASE MECHANISM SHALL BE COMPATIBLE WITH A FUSIBLE LINK DETECTION SYSTEM. THE FUSIBLE LINK SHALL BE SELECTED AND INSTALLED ACCORDING TO THE OPERATING TEMPERATURE IN THE VENTILATING SYSTEM. THE FUSIBLE LINK SHALL BE SUPPORTED BY A DETECTOR BRACKET/LINKAGE ASSEMBLY.

Fire System Information - Job#4395736

| FIRE SYSTEM NO | Tag | TYPE | SIZE | FLOW POINTS | INSTALLATION | |
|----------------|-----|------------|---------|-------------|--------------------|------------------|
| | | | | | SYSTEM | LOCATION ON HOOD |
| 1 | | Ansul R102 | 3.0/3.0 | 15 | Fire Cabinet Right | Right, Hood 1 |

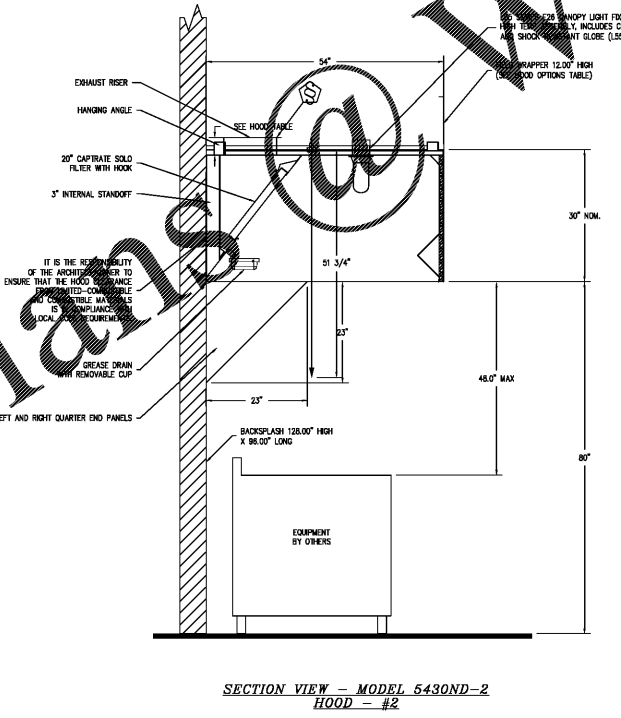
Fire System Parts List Key

| FIRE SYSTEM NO | TAG | KEY NUMBER - PART DESCRIPTION | QTY BY FACTORY | QTY BY DIST |
|----------------|-----|--|----------------|-------------|
| 0 | 0 | 439891 Large BLOWOFF CAP, Metal, to fit New Laser-etched ANSUL Nozzles, A0024201 | 8 | 0 |
| 0 | 0 | Tank Strap Tank Strap - used for ANSUL Tanks | 2 | 0 |
| 0 | 0 | UCTANKBRACKET Tank Bracket for fire system tank installation in utility cabinets | 2 | 0 |
| 1 | 1 | AT - 3.0 TANK (1B) - 3.0 Gallon SS Tank (for use with Automan Release, Actuator, or SS Enclosure (UL/ULC)) Mocola # 01-429862 | 2 | 0 |
| 3 | 3 | ANS-DEM REGULATED RELEASE - Ansal Regulated Mechanical Release/Bracket Assembly, OEM, R-102, Cartridge Detection Included, Ansal Part # 19493 | 1 | 0 |
| 5 | 5 | LIQ-3.0 AGENT - Ansalx Low PH Wet Chemical Agent, 3 Gallon (UL) 79372 | 0 | 2 |
| 9 | 9 | 101-30 CARTRIDGE - Carbon Dioxide, 101-30, Cartridge (R-102) 19-15851 | 0 | 1 |
| 10 | 10 | T-LINK LINK - Test Link (1 test link) Ansal Part # 24916, Mocola # 20-24916 | 0 | 1 |
| 11 | 11 | MICRO-SDA MICROSWITCH KIT - Includes 2 switches and Mounting Hardware, Single Dual Electric Switch, One Standard Switch, One Alarm Duty Switch Ansal Part # 437155, Mocola # 08-437155 | 1 | 0 |
| 12 | 12 | HOSE HOSE - Rubber Hose | 1 | 0 |
| 14 | 14 | 419336 NOZZLE - 1W Nozzle, Duct/Appliance (Replaces ANSUL Part# 419347, CAS Part# 419336) A0001266 | 2 | 0 |
| 16 | 16 | 419335 NOZZLE - 1N Nozzle, Plenum/Appliance (Replaces ANSUL Part# 419346, CAS Part# 419335) A0001265 | 2 | 0 |
| 18 | 18 | 419338 NOZZLE - 3N Nozzle, Appliance (Replaces ANSUL Part# 419348, CAS Part# 419338) A0001268 | 3 | 0 |
| 20 | 20 | 419340 NOZZLE - 245 Nozzle, Appliance (Replaces ANSUL Part# 419350, Part# 419340) A0001270 | 1 | 0 |
| 25 | 25 | 418569 NOZZLE ADAPTOR - Swivel Nozzle Adaptor (Replaces CAS Part # 418569) A0001274 | 4 | 0 |
| 26 | 26 | OSA-3/8 QUIN SEAL - 3/8" (UL) | 8 | 0 |
| 27 | 27 | QPSA-1/2 PULLEY SEAL - 1/2" Hood Seal (UL) Ansal Part # 432253, Mocola # 32-79788 | 5 | 0 |
| 28 | 28 | S-DET DETECTOR - Series (Sclass Linkage) Ansal Part # 435547/435548 (Old # 417369/434480); Mocola # 05-417369 | 4 | 0 |
| 30 | 30 | ANS-500FL FUSIBLE LINK - 500deg F, R-102 and PHANHA, Ansal Part # 439232 | 4 | 0 |
| 34 | 34 | RPS-A REMOTE PULL STATION - Red composite (without wire rope) 434616 (Old Mocola #06-4635) | 1 | 0 |
| 35 | 35 | PE-LT PULLEY ELBOW - Low Temp, Pulley Elbow, Set Screw Type Ansal Part # 415670, Mocola # 11-415671 | 5 | 0 |
| 36 | 36 | PE-HT PULLEY ELBOW - High Temp Pulley Elbow, Compression Type, Ansal Part # 423251, Mocola # 10-46771 | 4 | 0 |



SECTION VIEW - MODEL 5430ND-2 HOOD - #1

DUCT NOZZLE AND PLENUM SPRAY BAR LOCATION



SECTION VIEW - MODEL 5430ND-2 HOOD - #2

DUCT NOZZLE AND PLENUM SPRAY BAR LOCATION

Job #: 3892806
 Job Name: Dairy Queen Core66_R1
 System Size: ANSUL-3.0/3.0 Total FP required: 15
 Hood # 1 4' 0.00" Long x 54" Wide x 30" High
 Riser # 1 Size: 0" x 0"
 Hood # 2 5' 0.00" Long x 54" Wide x 30" High
 Riser # 1 Size: 0" x 0"

JAMES E. WILKERSON
 A.I.A.
 119 East Tallulah Drive
 Greenville, S.C. 29605
 864-970-2582
 864-240-5375 f

MATTHEW J. WILLIAMS
 LICENSE
 NO. 74427
 STATE OF FLORIDA
 PROFESSIONAL ENGINEER

FLA REG. FE 74427
 JOB NO. 202016

DQ GRILL & CHILL
 US HWY 90 (LOT 2)
 GLEN ST MARY, FL
 32040

DQ

GRILL & CHILL

AMERICAN DAIRY QUEEN
 MINNEAPOLIS, MN U.S.A.

*REGISTERED U.S. PATENT OFFICE. AMERICAN DAIRY QUEEN CORPORATION. THIS DRAWING, ITS DESIGN DETAIL AND INVENTION ARE THE PROPERTY OF AMERICAN DAIRY QUEEN INC. (ADQ) AND SHALL NOT BE COPIED IN ANY MANNER NOR DISCLOSED TO ANY OUTSIDE PARTY WITHOUT ADQ CONSENT.

BUILDING TYPE:
 DAIRY QUEEN GRILL & CHILL
 CORE66
 STORE No. 45461

DRAWN, CHECKED, & APPROVED BY: ADG
 DESIGN-ARCHITECTURE-CONSTRUCTION
 (DAC) DEPARTMENT

THIS IS "PLAN" NORTH FOR ACTUAL BUILDING ORIENTATION REFER TO SITE PLAN (BY OTHERS)

ISSUE DATE: 10/30/2020

REVISION DATE: 10/30/2020

ISSUE FOR CONSTRUCTION

△

△

△

△

△

EXHAUST HOOD FIRE SYSTEM

SHEET NUMBER:
M4.4