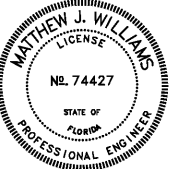


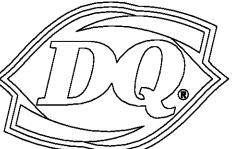
**JAMES E. WILKERSON  
A.I.A.**

119 East Tallulah Drive  
Greenville, S.C. 29605  
864-370-2582  
864-240-5375 f



FLA REG. FE 74427  
JOB NO. 202016

DQ GRILL & CHILL  
US HWY 90 (LOT 2)  
GLEN ST MARY, FL  
32040



**GRILL & CHILL**

AMERICAN DAIRY QUEEN  
MINNEAPOLIS, MN U.S.A.

\*REGISTERED U.S. PATENT OFFICE.  
AMERICAN DAIRY QUEEN CORPORATION.  
THIS DRAWING, ITS DESIGN DETAIL AND  
INVENTION ARE THE PROPERTY OF  
AMERICAN DAIRY QUEEN INC. (ADQ) AND  
SHALL NOT BE COPIED IN ANY MANNER  
NOR DISCLOSED TO ANY OUTSIDE  
PARTY WITHOUT ADQ CONSENT.

**BUILDING TYPE:**  
DAIRY QUEEN GRILL & CHILL  
CORE66  
STORE No. 45961

DRAWN, CHECKED, & APPROVED BY: ADQ  
DESIGN-ARCHITECTURE-CONSTRUCTION  
(DAC) DEPARTMENT

THIS IS "PLAN" NORTH  
FOR ACTUAL BUILDING  
ORIENTATION REFER TO  
SITE PLAN (BY OTHERS)

ISSUE DATE:	10/30/2020
REVISION DATE:	
10/30/2020	ISSUE FOR CONSTRUCTION
▲	
▲	
▲	
▲	
▲	

**EXHAUST FAN  
SCHEDULE &  
DETAILS**

SHEET NUMBER:  
**M4.3**

**EXHAUST FAN INFORMATION - Job#4395736**

FAN UNIT NO	TAG	FAN UNIT MODEL #	CFM	ESP	RPM	MOTOR ENCL	HP	BHP	#	VOLT	FLA	DISCHARGE VELOCITY	WEIGHT (LBS)	SONES
1	EF-Char	DUB5HFA	1100	0.750	1026	TEAO-ECM	0.750	0.2070	1	115	8.9	348 FPM	95	9.5
2	EF-Fry	DUB5HFA	1000	0.600	922	TEAO-ECM	0.750	0.1500	1	115	8.9	316 FPM	94	8
3	EF-Bath	DR12HFA	450	0.250	1233	TEAO-ECM	0.250	0.0810	1	115	2.9		49	6.5

**FAN OPTIONS**

FAN UNIT NO	TAG	OPTION (Qty - Descr)
1	EF-Char	1 - Grease Box
		1 - Upblast Fan Wheel Access Port
		1 - Exhaust Fan Heat Baffle
		1 - Fan Base Ceramic Seal - Ship Loose - For Grease Ducts
		1 - ECM Wiring Package - Exhaust - MODBUS Control -MSC- (TELCO), CCW Rotation
2	EF-Fry	1 - Grease Box
		1 - Upblast Fan Wheel Access Port
		1 - Fan Base Ceramic Seal - Ship Loose - For Grease Ducts
		1 - ECM Wiring Package - Exhaust - MODBUS Control -MSC- (TELCO), CCW Rotation
		1 - ECM Wiring Package - Manual or 0-10VDC Reference Speed Control (TELCO Motor), CCW Rotation
3	EF-Bath	1 - I 12-BDD Damper

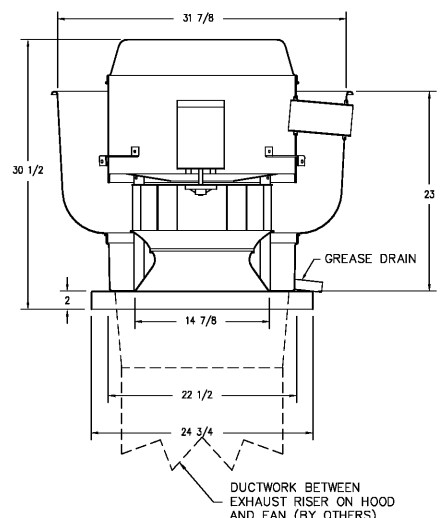
**FAN ACCESSORIES**

FAN UNIT NO	TAG	EXHAUST				SUPPLY			
		GREASE CUP	GRAVITY DAMPER	WALL MOUNT	SIDE DISCHARGE	GRAVITY DAMPER	MOTORIZED DAMPER	WALL MOUNT	
1	EF-Char	YES							
2	EF-Fry	YES							
3	EF-Bath	YES							

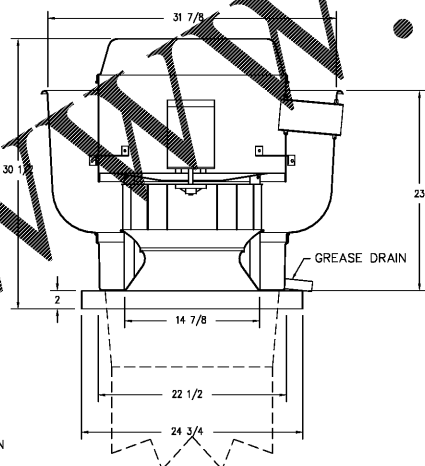
**CURB ASSEMBLIES**

NO	ON FAN	TAG	WEIGHT	ITEM	SIZE
1	# 1	EF-Char	41 LBS	Curb	23.000"W x 23.000"L x 24.000"H Vented Hinged
2	# 2	EF-Fry	41 LBS	Curb	23.000"W x 23.000"L x 24.000"H Vented Hinged
3	# 3	EF-Bath	16 LBS	Curb	17.500"W x 17.500"L x 14.000"H Right Insulated

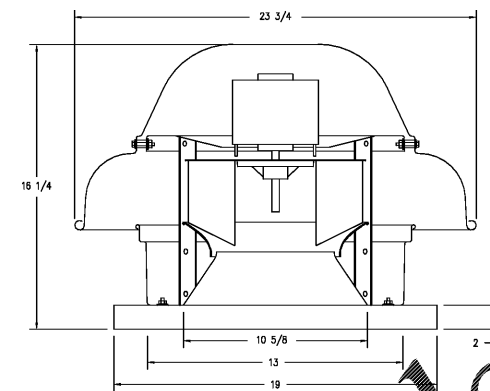
FAN #1 DUB5HFA - EXHAUST FAN (EF-CHAR)



FAN #2 DUB5HFA - EXHAUST FAN (EF-FRY)



FAN #3 DR12HFA - EXHAUST FAN (EF-BATH)

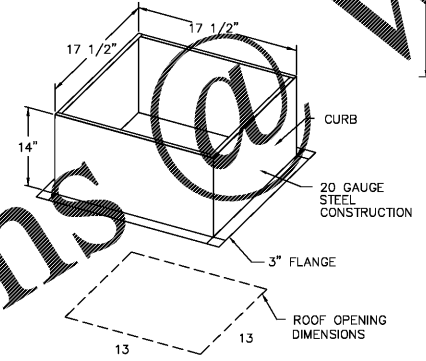


**FEATURES:**

- DIRECT DRIVE CONSTRUCTION (NO BELTS/PULLEYS)
- ROOF MOUNTED FANS
- UL705
- SAFETY DISCONNECT
- STANDARD BIRD SCREEN
- SPEED CONTROL

**OPTIONS**

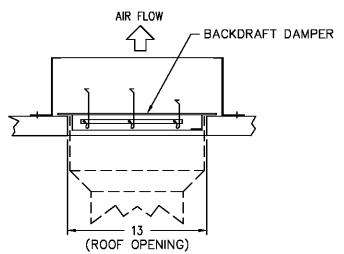
ECM WIRING PACKAGE - MANUAL OR 0-10VDC REFERENCE SPEED CONTROL (TELCO MOTOR), CCW ROTATION, I 12-BDD DAMPER.



PITCHED CURBS ARE AVAILABLE FOR PITCHED ROOFS.

SPECIFY PITCH:  
EXAMPLE: 7/12 PITCH = 30° SLOPE

**BACKDRAFT DAMPER INSTALLATION**



**FEATURES:**

- DIRECT DRIVE CONSTRUCTION (NO BELTS/PULLEYS)
- ROOF MOUNTED FANS
- RESTAURANT MODEL
- UL705 AND UL762 AND ULC-S645
- VARIABLE SPEED CONTROL
- INTERNAL WIRING
- WEATHERPROOF DISCONNECT
- THERMAL OVERLOAD PROTECTION (SINGLE PHASE)
- HIGH HEAT OPERATION 300°F (149°C)
- GREASE CLASSIFICATION TESTING

**NORMAL TEMPERATURE TEST**

EXHAUST FAN MUST OPERATE CONTINUOUSLY WHILE EXHAUSTING AIR AT 300°F (149°C) UNTIL ALL FAN PARTS HAVE REACHED THERMAL EQUILIBRIUM, AND WITHOUT ANY DETERIORATING EFFECTS TO THE FAN WHICH WOULD CAUSE UNSAFE OPERATION.

**ABNORMAL FLARE-UP TEST**

EXHAUST FAN MUST OPERATE CONTINUOUSLY WHILE EXHAUSTING BURNING GREASE VAPORS AT 600°F (316°C) FOR A PERIOD OF 15 MINUTES WITHOUT THE FAN BECOMING DAMAGED TO ANY EXTENT THAT COULD CAUSE AN UNSAFE CONDITION.

**OPTIONS**

GREASE BOX, UPBLAST FAN WHEEL ACCESS PORT, EXHAUST FAN HEAT Baffle, FAN BASE CERAMIC SEAL - SHIP LOOSE - FOR GREASE DUCTS, ECM WIRING PACKAGE - EXHAUST - MODBUS CONTROL -MSC- (TELCO), CCW ROTATION.

**FEATURES:**

- DIRECT DRIVE CONSTRUCTION (NO BELTS/PULLEYS)
- ROOF MOUNTED FANS
- RESTAURANT MODEL
- UL705 AND UL762 AND ULC-S645
- VARIABLE SPEED CONTROL
- INTERNAL WIRING
- WEATHERPROOF DISCONNECT
- THERMAL OVERLOAD PROTECTION (SINGLE PHASE)
- HIGH HEAT OPERATION 300°F (149°C)
- GREASE CLASSIFICATION TESTING

**NORMAL TEMPERATURE TEST**

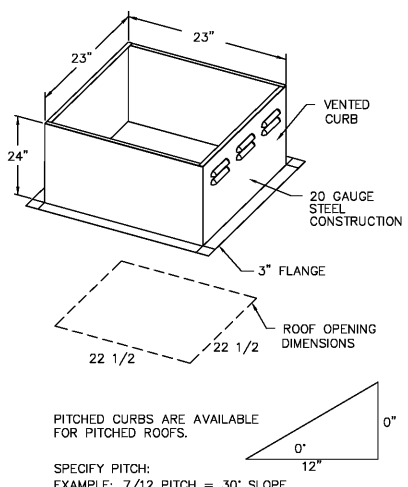
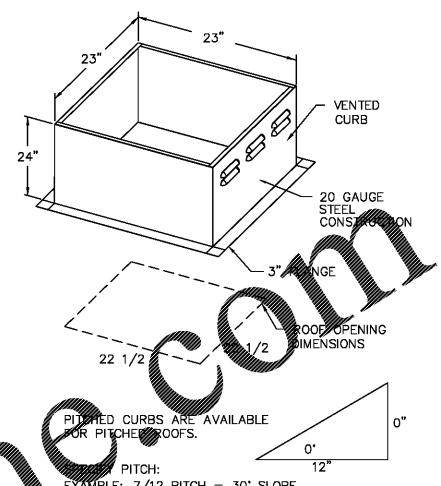
EXHAUST FAN MUST OPERATE CONTINUOUSLY WHILE EXHAUSTING AIR AT 300°F (149°C) UNTIL ALL FAN PARTS HAVE REACHED THERMAL EQUILIBRIUM, AND WITHOUT ANY DETERIORATING EFFECTS TO THE FAN WHICH WOULD CAUSE UNSAFE OPERATION.

**ABNORMAL FLARE-UP TEST**

EXHAUST FAN MUST OPERATE CONTINUOUSLY WHILE EXHAUSTING BURNING GREASE VAPORS AT 600°F (316°C) FOR A PERIOD OF 15 MINUTES WITHOUT THE FAN BECOMING DAMAGED TO ANY EXTENT THAT COULD CAUSE AN UNSAFE CONDITION.

**OPTIONS**

GREASE BOX, UPBLAST FAN WHEEL ACCESS PORT, FAN BASE CERAMIC SEAL - SHIP LOOSE - FOR GREASE DUCTS, ECM WIRING PACKAGE - EXHAUST - MODBUS CONTROL -MSC- (TELCO), CCW ROTATION.



Order Plans @ WWW.LDLine.com

FOR QUESTIONS, CALL  
CAPTIVEAIRE REGION 71 - IA, NE, SD  
reg71@captiveaire.com  
PHONE: (319) 221-1188, (877) 321-1188