

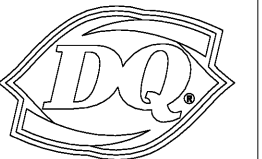
JAMES E. WILKERSON
A.I.A.

119 East Tallulah Drive
Greenville, S.C. 29605
864-370-2582
864-240-5375 f



FLA REG. PE 74427
JOB NO. 202016

DQ GRILL & CHILL
US HWY 90 (LOT 2)
GLEN ST MARY, FL
32040



GRILL & CHILL

AMERICAN DAIRY QUEEN
MINNEAPOLIS, MN U.S.A.

*REGISTERED U.S. PATENT OFFICE.
AMERICAN DAIRY QUEEN CORPORATION.
THIS DRAWING, ITS DESIGN DETAIL AND
INVENTION ARE THE PROPERTY OF
AMERICAN DAIRY QUEEN INC. (ADQ) AND
SHALL NOT BE COPIED IN ANY MANNER
NOR DISCLOSED TO ANY OUTSIDE
PARTY WITHOUT ADQ CONSENT.

BUILDING TYPE:
DAIRY QUEEN GRILL & CHILL
CORE66
STORE No. 45961

DRAWN, CHECKED, & APPROVED BY: ADQ
DESIGN-ARCHITECTURE-CONSTRUCTION
(DAC) DEPARTMENT

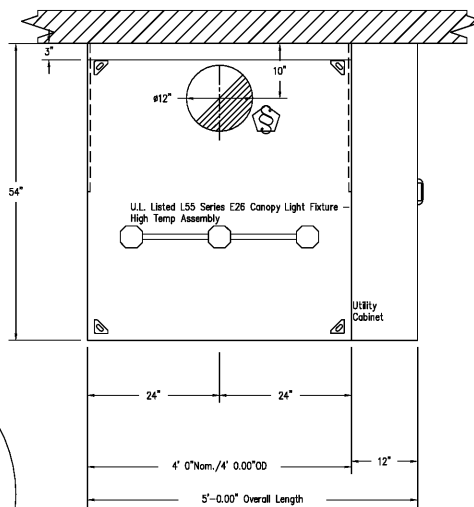
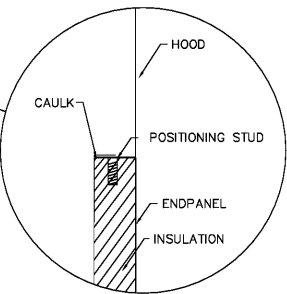
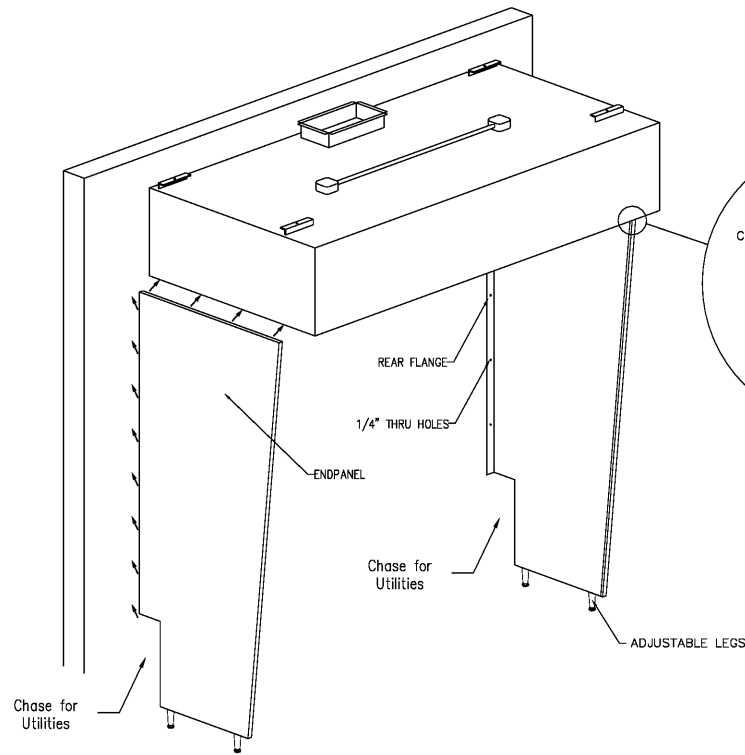
THIS IS "PLAN" NORTH
FOR ACTUAL BUILDING
ORIENTATION REFER TO
SITE PLAN (BY OTHERS)

| | |
|----------------|------------------------|
| ISSUE DATE: | 10/30/2020 |
| REVISION DATE: | 10/30/2020 |
| REVISION: | ISSUE FOR CONSTRUCTION |
| | |
| | |
| | |
| | |
| | |

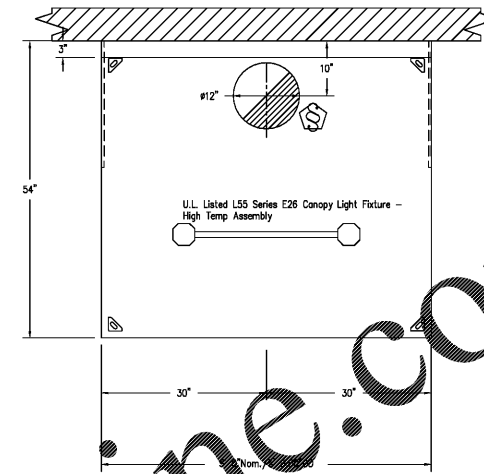
EXHAUST HOOD
DETAIL

SHEET NUMBER:
M4.2

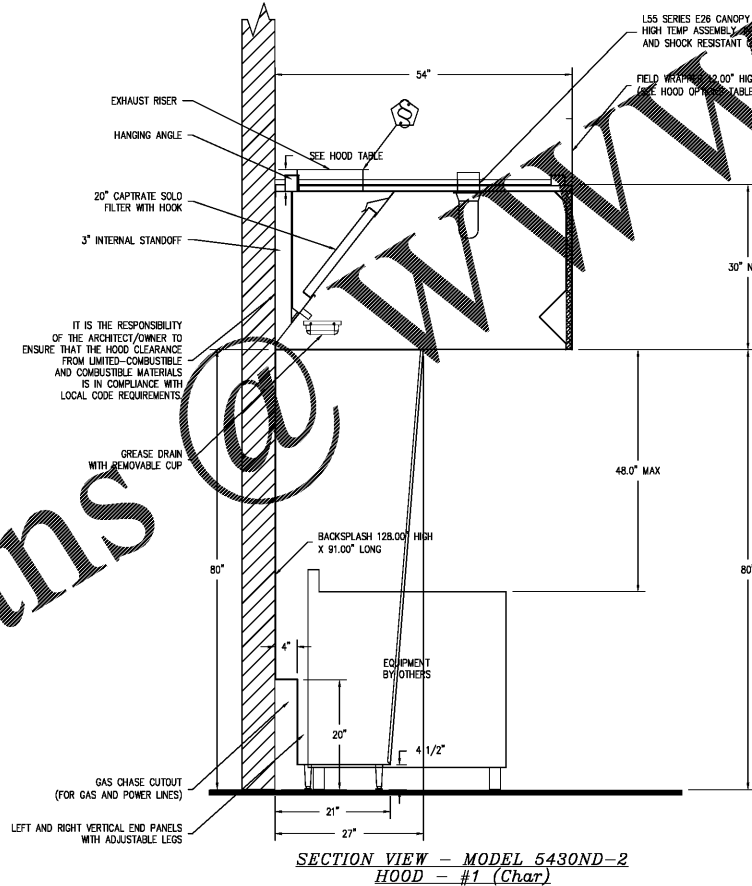
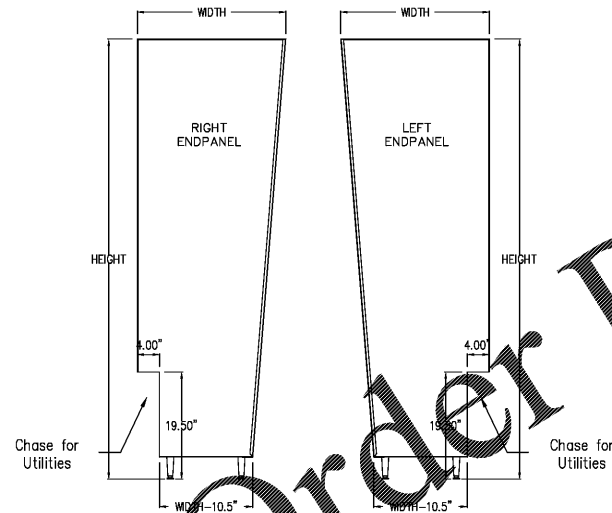
ND-2 VERTICAL ENDPANEL



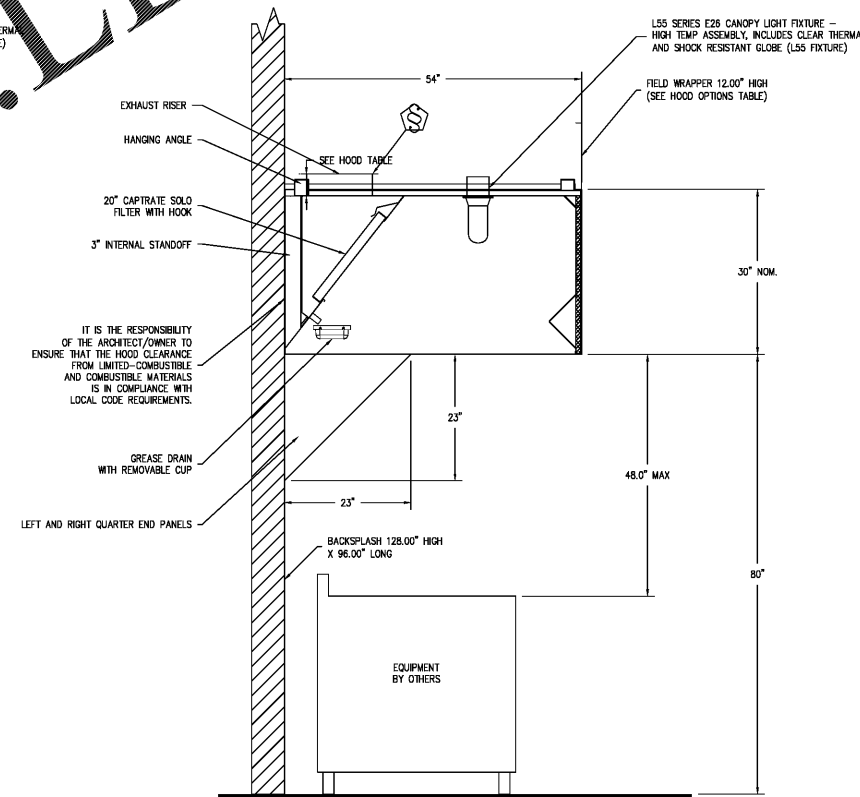
PLAN VIEW - Hood #1 (Char)
4' 0.00" LONG 5430ND-2



PLAN VIEW - Hood #2 (Fryer)
4' 0.00" LONG 5430ND-2



SECTION VIEW - MODEL 5430ND-2
HOOD - #1 (Char)



SECTION VIEW - MODEL 5430ND-2
HOOD - #2 (Fryer)

Order Plans @ WWW.LDILine.com

FOR QUESTIONS, CALL
CAPTIVEAIRE REGION 71 - IA, NE, SD
reg71@captiveaire.com
PHONE: (319) 221-1188, (877) 321-1188