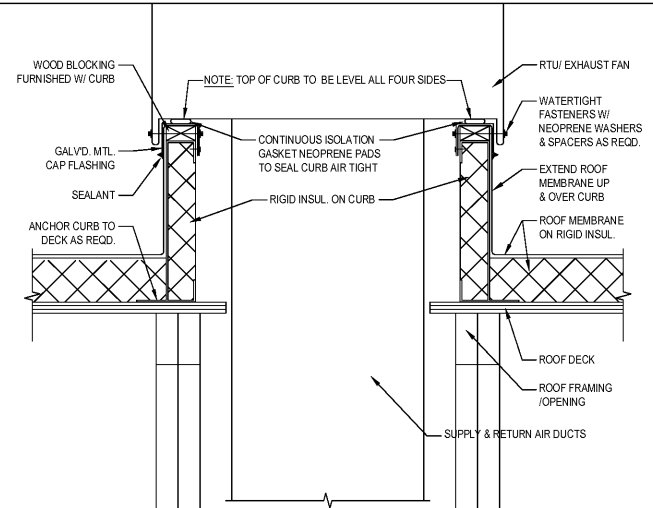
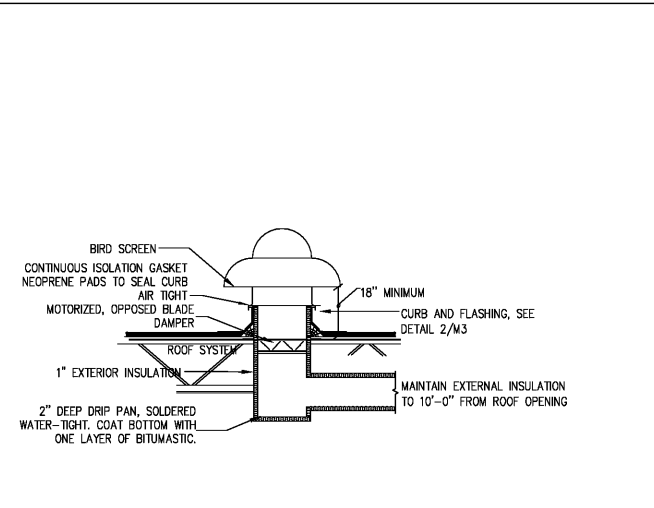


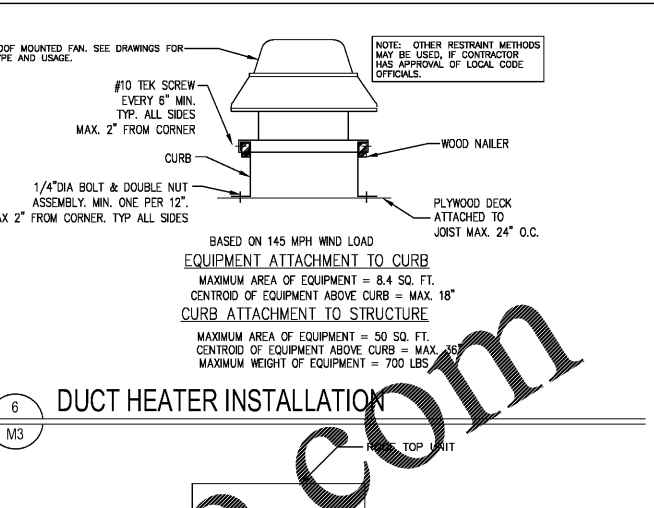
1 ROOFTOP UNIT DETAIL



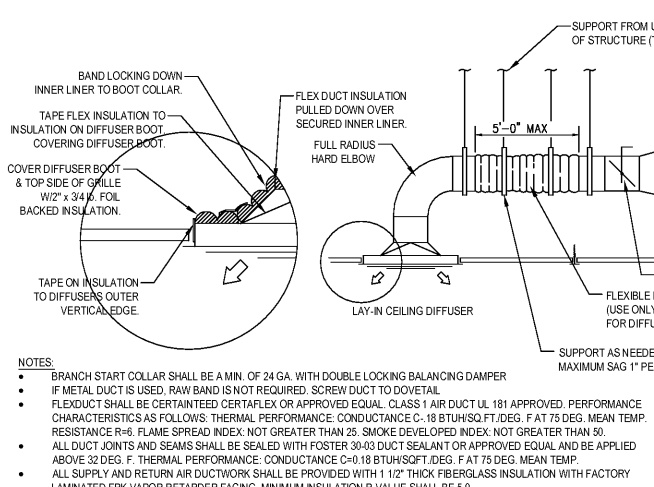
2 ROOF OPENING / CURB DETAIL



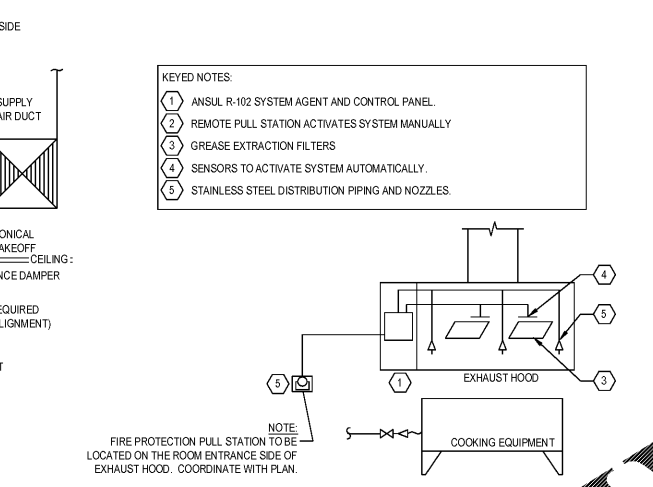
3 RESTROOM EXHAUST FAN DETAIL



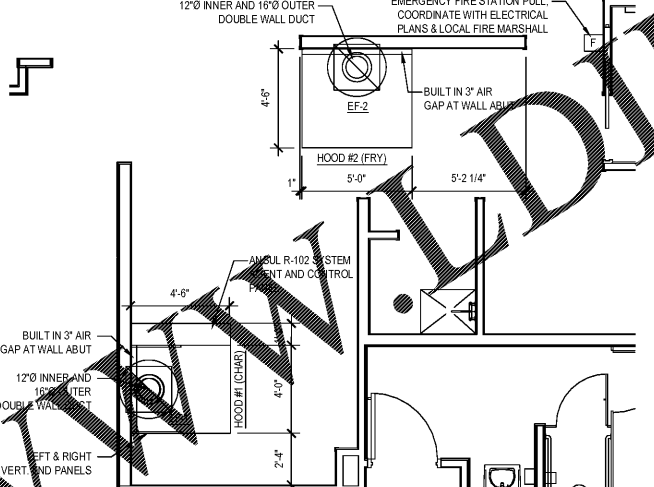
6 DUCT HEATER INSTALLATION



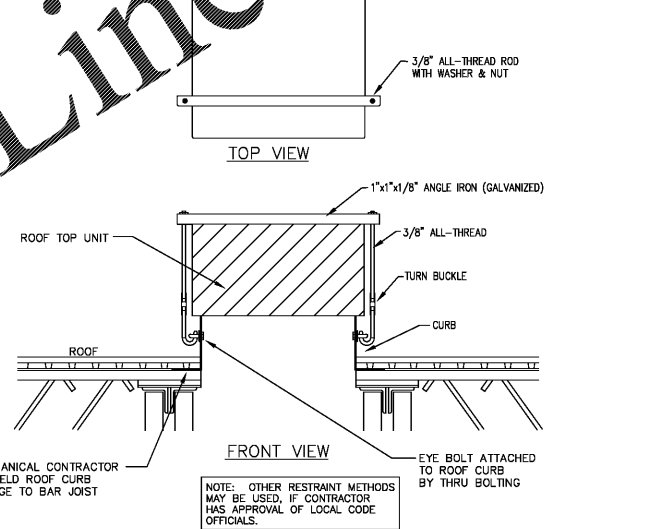
4 DUCT BRANCH - TYP. RUNOUT



5 ANSUL SYSTEM



7 HOOD LOCATION PLAN



8 RTU RESTRAINT SYSTEM

ROOFTOP UNIT SCHEDULE																													
TAG	SERVES	SPECIFIED MANUFACTURER	MODEL NUMBER	OUTSIDE AIR		SUPPLY FAN		HEATING SECTION					COOLING SECTION					SIZE				MCAMCCP	VOLTAGE	PHASE	DISCONNECT		CONTROL	NOTES	
				MIN. %	CFM	CFM	ESP (INCHES)	FUEL	EAT (F°)	LAT (F°)	INPUT	OUTPUT	TONS	CAPACITY	EAT (F°) DBWB	LAT (F°) DBWB	EER	REFRIGERANT	AMBIENT (F°)	UNIT WEIGHT (LBS)	UNIT HEIGHT (INCHES)				LOCATION	BY			
RTU-1	DINING	CARRIER	48HCRE14C2D5-8FTM0	25.8	1290	5000	0.50	NG	42.9	90.4		184.0	12.5	167.13	109.17	83.5/68.7	59.5/59.0	13.0	R-410A	95.0	1495	49.4	6480	208	3	UNIT	FACTORY	T-STAT	1,2,3,5,6,7,8,9,10,11,12
RTU-2	KITCHEN	CARRIER	48HCSE20C2D5-8K1J0	26	1560	6000	0.50	NG	46.2			178.0	17.5	203	126.2	83.1/69.8	60.4/57.4	12.0	R-410A	95.0	2684	49.4	78100	208	3	UNIT	FACTORY	T-STAT	1,2,3,4,5,6,7,8,9,10,12

EXHAUST FAN SCHEDULE																		
TAG	SPECIFIED MFG.	MODEL NUMBER	CFM	ESP (INCHES)	FAN RPM	OPERATING POWER (HP)	MOTOR INFORMATION					UNIT WEIGHT	CURB WEIGHT	TOTAL WEIGHT	CURB DIMENSION	ROOF OPENING DIMENSION	NOTES	
							SIZE (HP)	VOLTAGE	ENCLOSURE	RPM	WINDINGS							FLA
EF-1 (CHAR)	CAPTIVEAIRE	DU85FHA	1100	0.750	1026	0.750	0.2070 BHP	115/60/1	OP	1026	1	8.8	99	41	140	23"sq X 24"h	21"x21"	1,2,3,4,5
EF-2 (FRY)	CAPTIVEAIRE	DU85FHA	1000	0.600	922	0.750	0.1500 BHP	115/60/1	OP	922	1	8.8	98	41	139	23"sq X 24"h	21"x21"	1,2,3,4,5
EF-3 (BATH)	CAPTIVEAIRE	DR12HFA	450	0.25	1233	0.25	0.0810 BHP	115/60/1	OP	1187	1	21.9	49	16	53	17 1/2"sq X 12"h	13"x13"	4

AIR DEVICE SCHEDULE												
TAG	FACE SIZE	NECK SIZE	CFM	MATERIAL	NOTES							
S-1	24x24	PLAN	0-900	ALUMINUM	1,2,5							
S-2	12x12	PLAN	0-200	ALUMINUM	1,2,6							
S-3	24x24	PLAN	0-300	ALUMINUM	1,4,5							
S-4	24x24	PLAN	0-300	ALUMINUM	1,4,6							
S-5	12x12	PLAN	0-200	ALUMINUM	1,2,5							
R-1	24x24	PLAN	1400-1750	ALUMINUM	1,3,5							
T-1	12x6	PLAN	200-290	ALUMINUM	1,3,6							
E-1	24x6	PLAN	0-400	ALUMINUM	1,3,5							
E-2	12x12	PLAN	0-400	ALUMINUM	1,3,6							

GENERAL NOTES:  
 1) COORDINATE WITH EXHAUST HOOD DETAILS SHEET M4.1-M4.7

NOTES:  
 1. PROVIDED WITH ONE PIECE FULLY WELDED, VENTED AND INSULATED ROOF CURB  
 2. PROVIDED WITH HINGED CURB (FAN) BASE.  
 3. PROVIDED WITH GREASE TRAP KIT.  
 4. PROVIDED WITH FACTORY CURB KIT.  
 5. FAN BLADES MUST BE FACTORY ADJUSTED. CONSULT MANUFACTURER'S REPRESENTATIVE.

FAN BLADES MUST BE FACTORY ADJUSTED. CONSULT MANUFACTURER'S REPRESENTATIVE.

THIS PLAN WAS DEVELOPED USING THE FLORIDA MECHANICAL CODE 2020, ASHRAE 62.1 2016 EDITION

NOTES:  
 1. COLORS PER PLAN SHEET  
 2. TIERED 4-WAY THROW PATTERN, UNLESS NOTED OTHERWISE  
 3. EGGGRATE  
 4. PERFORATED SUPPLY, THROW PATTERN PER PLANS  
 5. DIFFUSER TYPE FOR A DROP CEILING  
 6. DIFFUSER TYPE FOR SURFACE MOUNT, ADD REQUIRED FRAME

**JAMES E. WILKERSON**  
 A.I.A.  
 119 East Tallulah Drive  
 Greenville, S.C. 29605  
 864-370-2582  
 864-240-5375 f

**MATTHEW J. WILLIAMS**  
 LICENSE  
 No. 74427  
 STATE OF FLORIDA  
 PROFESSIONAL ENGINEER

FLA REG. PE 74427  
 JOB NO. 202016

DQ GRILL & CHILL  
 US HWY 90 (LOT 2)  
 GLEN ST MARY, FL  
 32040

**DQ GRILL & CHILL**

AMERICAN DAIRY QUEEN  
 MINNEAPOLIS, MN U.S.A.

\*REGISTERED U.S. PATENT OFFICE.  
 DAIRY QUEEN GRILL & CHILL CORPORATION.  
 THIS DRAWING, ITS DESIGN DETAIL AND INVENTION ARE THE PROPERTY OF AMERICAN DAIRY QUEEN INC. (ADQ) AND SHALL NOT BE COPIED IN ANY MANNER NOR DISCLOSED TO ANY OUTSIDE PARTY WITHOUT ADQ CONSENT.

BUILDING TYPE:  
 DAIRY QUEEN GRILL & CHILL  
 CORE66  
 STORE No. 45961

DRAWN, CHECKED, & APPROVED BY: ADQ  
 DESIGN-ARCHITECTURE-CONSTRUCTION (DAC) DEPARTMENT

THIS IS "PLAN" NORTH  
 FOR ACTUAL BUILDING ORIENTATION REFER TO SITE PLAN (BY OTHERS)

ISSUE DATE: 10/30/2020

REVISION DATE:  
 10/30/2020 ISSUE FOR CONSTRUCTION

MECHANICAL DETAILS AND SCHEDULES

SHEET NUMBER:  
**M3**