

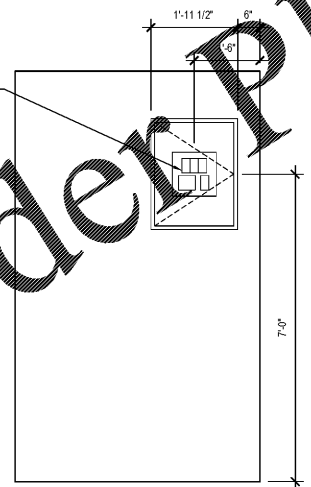
**1 EPOS PLAN**  
SCALE: 1/4" = 1'-0"

KNOCK OUT PANEL IN BACK OF CABINET (12"x12"). ALL RECEPTACLES AND JUNCTION BOXES MUST BE INSTALLED WITHIN THIS AREA. ELECTRICAL CONTRACTOR TO PROVIDE THE FOLLOWING AT THIS LOCATION:

- 120V ISOLATED/INSULATED FOURPLEX RECEPTACLE
- 120V CONVENIENCE DUPLEX OUTLET
- (3) OPEN CONDUITS STUBBED UP TO AN ACCESSIBLE AREA ABOVE FINISHED CEILING.

CONDUITS TO BE:

- (1) 3/4" FOR TELEPHONE LINES
- (1) 1" FOR SECURITY SYSTEM CABLING
- (1) 1 1/2" FOR EPOS CABLING.



**2 ELECTRONIC HARDWARE CABINET ELEV.**  
SCALE: 1/2" = 1'-0"

SYM	DESCRIPTION
CR	CASH REGISTER
VM	VIDEO MONITOR
JB	JUNCTION BOX (SINGLE GANG)
PR	PRINTER
QT	DRIVE-THRU TIMER
DM	DIGITAL MENU BOARDS
BB	VIDEO MONITOR BUMP BAR
DT	DRIVE THRU COMMUNICATIONS SYSTEM
SK	SELF SERVICE ORDER KIOSK
CC	CREDIT CARD READER
CP	COMPETITION

SYM	DESCRIPTION
1/2"	(1) OR (2) CAT 6 CABLES
3/4"	(3) OR (4) CAT 6 CABLES
1"	(5) OR (6) CAT 6 CABLES
1 1/4"	(7) OR (8) CAT 6 CABLES

**GENERAL NOTES**

- ALL CAT 6 CABLE TO BE PROVIDED AND INSTALLED BY EPOS VENDOR. SEE NATIONAL VENDORS LIST FOR CONTACT INFORMATION. COORDINATE INSTALLATION AND FIXTURES WITH EPOS VENDOR OR BY CONTRACTOR CHOSEN BY FRANCHISEE.
- CABLING AND FIXTURES TO BE SCHEDULED AT END OF EQUIPMENT INSTALLATION TIME FRAME.
- THE ELECTRICAL CONTRACTOR TO PROVIDE ALL CUTTING, TRENCHING, BACK FILLING, AND PATCHING AS MAY BE REQUIRED AND SHALL BE INCLUDED AS PART OF THE ELECTRICAL CONTRACTORS WORK.
- ELECTRICAL CONTRACTOR TO PROVIDE AND INSTALL ALL REQUIRED CONDUIT, PULL BOXES, JUNCTION BOXES AND PULL STRINGS. ANY QUESTIONS REGARDING LOCATIONS OF JUNCTION BOXES TO BE DIRECTED TO ADQ ARCHITECTURE/CONSTRUCTION DEPARTMENT AT 800.985.6686 EXT. #6.
- VERIFY IF LOCAL CODES REQUIRE A LOW VOLTAGE PERMIT.

**KEY NOTES**

- ALL MONITOR AND TERMINAL LOCATIONS WILL REQUIRE IN-WALL JUNCTION BOX WITH CONDUIT STUBBED INTO THE CEILING SPACE AND A MINIMUM OF FIVE FEET OF EXCESS CABLE AT EACH END OF RUN. 1 1/2" GROMMETS AT INITIAL CASH REGISTER LOCATIONS AS REQUIRED.
- THESE MONITORS AND TERMINALS WILL NEED A MINIMUM OF TWO FEET EXCESS CABLE AT EACH END OF RUN.
- PROVIDE UNDERGROUND CONDUIT SIZED AS REQUIRED FROM DRIVE-THRU EQUIPMENT TO THE CENTER MODULE. SEE SHEET A1.2
- CONDUIT TO BE RUN ABOVE CEILING AND DOWN INSIDE WALL TO JUNCTION BOX.
- CONDUIT TO BE RUN BELOW SLAB AND UP THROUGH FLOOR TO JUNCTION BOX.
- CONDUIT TO BE RUN THROUGH COUNTER BASE CABINET AFTER COUNTER INSTALLATION.
- RUN CABLING DOWN FROM CEILING AT BUMP BAR LOCATION(S).
- MOUNT JUNCTION BOX ABOVE CEILING.
- MENU BOARD JUNCTION BOX TO BE INSTALLED BETWEEN IN WALL BLOCKING. SEE SHEET A6.1
- RUN CABLING FROM CEILING TO TERMINAL LOCATION

THIS PLAN WAS DEVELOPED USING THE NATIONAL ELECTRICAL CODE 2017

**JAMES E. WILKERSON**  
A.I.A.  
119 East Tallulah Drive  
Greenville, S.C. 29605  
864-370-2582  
864-240-5375 f

FLA REG. PE 62729  
JOB NO. 202016

DQ GRILL & CHILL  
US HWY 90 (LOT 2)  
GLEN ST MARY, FL  
32040

**GRILL & CHILL**  
AMERICAN DAIRY QUEEN  
MINNEAPOLIS, MN U.S.A.

\*REGISTERED U.S. PATENT OFFICE, AMERICAN DAIRY QUEEN CORPORATION, THIS DRAWING, ITS DESIGN DETAIL AND INVENTION ARE THE PROPERTY OF AMERICAN DAIRY QUEEN INC. (ADQ) AND SHALL NOT BE COPIED IN ANY MANNER NOR DISCLOSED TO ANY OUTSIDE PARTY WITHOUT ADQ CONSENT.

**BUILDING TYPE:**  
DAIRY QUEEN GRILL & CHILL  
CORE66  
STORE No. 45961

DRAWN, CHECKED, & APPROVED BY: ADQ  
DESIGN-ARCHITECTURE-CONSTRUCTION  
(DAC) DEPARTMENT

THIS IS "PLAN" NORTH  
FOR ACTUAL BUILDING  
ORIENTATION REFER TO  
SITE PLAN (BY OTHERS)

**NORTH**

ISSUE DATE: 10/30/2020  
REVISION DATE:  
10/30/2020

ISSUE FOR CONSTRUCTION

**EPOS PLAN**

SHEET NUMBER:  
**E5**