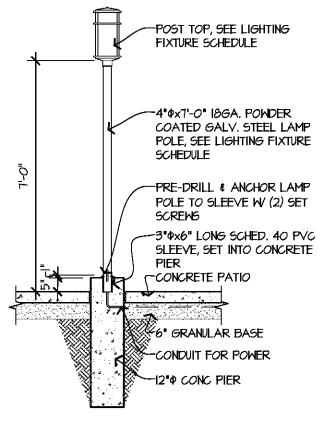


A SITE LIGHT SSI
SCALE: 3/8" = 1'-0"



B PATIO LIGHT TT
SCALE: 3/8" = 1'-0"

E3.3

E3.3

VMX LED Project Name: **DQ Grill & Chill** Catalog Number: **VMX-13-64L-7-6K-UNV-AM-BZ-L8** Type: **SS1**

Dimensional Drawings

The new VMX LED Series offers clean, functional styling that is defined by its sleek low profile design and rugged construction. It combines LED performance and advanced LED thermal management technology and provides outdoor lighting that is both energy efficient and aesthetically pleasing.

The LED's performance and the driver's life are maximized by enclosing them in two separate cast aluminum housings. Easy tool-less access for mounting and maintenance.

The LED light assemblies come with 32 to 96 LEDs. Seven optical distribution patterns are available. Choose between 4000 or 5000 Kelvin temperature of the LEDs.

A durable polyester powder coat finish is guaranteed for five years, and is available in standard or custom colors.

The VMX LED series is an exceptional choice for commercial parking lots, office complexes, architectural projects, and other general lighting projects.

VMX	T3	64LC	7	5K	UNV	AM	BZ	LS
Model	Options	Substrate	Current	Colors	Voltage	Mounting	Finish	Controls
VMX-1	Type II (T2)	32 (S2LC)	350 (3)	4000K (AK) 5000K (BK) 6000K (PK)	120-277V Universal Voltage (UNV)	Wall Mount (AM) Round Pole Mount (BZ) Round Pole Mount (LS)	Smooth Black (SBK) Black (BK) Smooth White (SWH) White (WH) Smooth White (SWW) Graphite (GP) Grey (GY) Silver Metallic (SL) Custom Color (CC)	Photocell & Remote (PCR120) (PCR200) (PCR240) (PCR270) Photo Remote (PRR) (not available) Round Pole Pole Adjuster For 25' Pole (RPA) For 30' Pole (RPA) For 35' Pole (RPA) Cast Wall Plate (CWP) (not available) 0-10V Dimming Driver (DD) (not available) Motion Sensor (MS) (not available) Motion Sensor (MS) (not available) Wireless Control (WC) (not available) Universal Pole Mount Adapter (UPMA) (not available) Custom Color (CC) (not available)

VMX DIMEN. DATA

Pole Height	80 mph	90 mph	100 mph	110 mph	120 mph	130 mph	140 mph	Pole O.D.	Gauge	Base Plate	Bolt Circle	Anchor Bolts
10'	30.1	23.5	18.4	14.0	10.3	7.8	6.1	4"	11	8"sq x 3/4"	8-3/16"	3/4" x 30"
12'	23.0	17.4	13.7	8.5	7.4	5.7	4.4	4"	11	8"sq x 3/4"	8-3/16"	3/4" x 30"
14'	18.6	13.9	10.6	6.6	5.7	4.3	3.1	4"	11	8"sq x 3/4"	8-3/16"	3/4" x 30"
16'	15.0	10.9	10.1	4.8	3.9	3.1	1.9	4"	11	8"sq x 3/4"	8-3/16"	3/4" x 30"
18'	11.7	8.4	6.0	3.4	2.8	1.9	-	4"	11	8"sq x 3/4"	8-3/16"	3/4" x 30"
20'	9.3	6.4	4.3	2.4	1.7	1.3	-	4"	11	8"sq x 3/4"	8-3/16"	3/4" x 30"
22'	16.8	10.9	8.2	5.0	4.2	3.1	2.0	4"	7	8"sq x 3/4"	8-3/16"	3/4" x 30"
24'	17.1	12.5	8.9	5.0	4.1	3.0	1.4	5"	11	12"sq x 1"	12-3/4"	1" x 36"
26'	27.4	22.1	16.7	13.2	8.3	6.0	3.6	5"	7	12"sq x 1"	12-3/4"	1" x 36"
28'	27.4	22.1	16.7	13.2	8.3	6.0	3.6	5"	7	12"sq x 1"	12-3/4"	1" x 36"
30'	11.8	8.6	5.4	3.5	2.3	2.0	-	5"	7	12"sq x 1"	12-3/4"	1" x 36"
32'	12.6	8.4	5.6	3.2	1.9	1.6	-	5"	7	12"sq x 1"	12-3/4"	1" x 36"
34'	21.4	16.4	11.1	6.9	5.0	4.3	2.3	5"	7	12"sq x 1"	12-3/4"	1" x 36"
36'	10.9	7.4	5.2	2.1	1.9	1.0	-	5"	7	12"sq x 1"	12-3/4"	1" x 36"
38'	10.2	6.5	4.0	1.9	-	-	-	5"	7	12"sq x 1"	12-3/4"	1" x 36"
40'	18.8	13.0	9.5	4.8	3.7	2.7	-	5"	7	12"sq x 1"	12-3/4"	1" x 36"
42'	5.6	3.1	1.4	1.1	-	-	-	5"	7	12"sq x 1"	12-3/4"	1" x 36"
44'	5.6	3.0	1.3	-	-	-	-	5"	7	12"sq x 1"	12-3/4"	1" x 36"
46'	12.0	7.6	4.4	2.8	1.9	1.1	-	5"	7	12"sq x 1"	12-3/4"	1" x 36"
48'	20.9	14.1	9.4	5.7	3.6	3.1	-	5"	7	12"sq x 1"	12-3/4"	1" x 36"
50'	5.0	2.2	-	-	-	-	-	5"	7	12"sq x 1"	12-3/4"	1" x 36"
52'	11.4	6.9	4.3	-	-	-	-	5"	7	12"sq x 1"	12-3/4"	1" x 36"
54'	18.9	12.8	8.4	4.3	3.0	1.9	-	5"	7	12"sq x 1"	12-3/4"	1" x 36"
56'	6.7	2.3	1.8	-	-	-	-	5"	7	12"sq x 1"	12-3/4"	1" x 36"
58'	12.1	7.0	3.8	-	-	-	-	5"	7	12"sq x 1"	12-3/4"	1" x 36"

For Direct Burial EPA, consult factory

VMX LED

Heat Sink
Cast aluminum heat sink with integral cooling fins for thermal management.

Mounting Arm/Driver Compartment
Durable two-piece die cast aluminum driver compartment utilizes a tool-less quick function latch for ease of maintenance and reset with a one-piece silicone gasket.

Thermal Management
The VMX series provides excellent thermal management by mounting the LEDs to the substantial heat sink of the housing. This enables the luminaire to withstand higher ambient temperatures and driver currents without degrading LED life.
The LED test determines the point in an LED's life when it reaches 70 percent of its total output. The VMX series LEDs have been determined to last 100,000+ hours in 25° C environments when driven at 350 mA.

Optical System
The highest lumen output, Evo-C LEDs are utilized in the VMX series. IES distribution types I, II, III, IV, V, VI, VII, VIII, IX, X, XI, XII, XIII, XIV, XV, XVI, XVII, XVIII, XIX, XX, XXI, XXII, XXIII, XXIV, XXV, XXVI, XXVII, XXVIII, XXIX, XXX, XXXI, XXXII, XXXIII, XXXIV, XXXV, XXXVI, XXXVII, XXXVIII, XXXIX, XL, XLI, XLII, XLIII, XLIV, XLV, XLVI, XLVII, XLVIII, XLIX, L, LI, LII, LIII, LIV, LV, LVI, LVII, LVIII, LIX, LX, LXI, LXII, LXIII, LXIV, LXV, LXVI, LXVII, LXVIII, LXIX, LXX, LXXI, LXXII, LXXIII, LXXIV, LXXV, LXXVI, LXXVII, LXXVIII, LXXIX, LXXX, LXXXI, LXXXII, LXXXIII, LXXXIV, LXXXV, LXXXVI, LXXXVII, LXXXVIII, LXXXIX, XL, XLI, XLII, XLIII, XLIV, XLV, XLVI, XLVII, XLVIII, XLIX, L, LI, LII, LIII, LIV, LV, LVI, LVII, LVIII, LIX, LX, LXI, LXII, LXIII, LXIV, LXV, LXVI, LXVII, LXVIII, LXIX, LXX, LXXI, LXXII, LXXIII, LXXIV, LXXV, LXXVI, LXXVII, LXXVIII, LXXIX, LXXX, LXXXI, LXXXII, LXXXIII, LXXXIV, LXXXV, LXXXVI, LXXXVII, LXXXVIII, LXXXIX, XL, XLI, XLII, XLIII, XLIV, XLV, XLVI, XLVII, XLVIII, XLIX, L, LI, LII, LIII, LIV, LV, LVI, LVII, LVIII, LIX, LX, LXI, LXII, LXIII, LXIV, LXV, LXVI, LXVII, LXVIII, LXIX, LXX, LXXI, LXXII, LXXIII, LXXIV, LXXV, LXXVI, LXXVII, LXXVIII, LXXIX, LXXX, LXXXI, LXXXII, LXXXIII, LXXXIV, LXXXV, LXXXVI, LXXXVII, LXXXVIII, LXXXIX, XL, XLI, XLII, XLIII, XLIV, XLV, XLVI, XLVII, XLVIII, XLIX, L, LI, LII, LIII, LIV, LV, LVI, LVII, LVIII, LIX, LX, LXI, LXII, LXIII, LXIV, LXV, LXVI, LXVII, LXVIII, LXIX, LXX, LXXI, LXXII, LXXIII, LXXIV, LXXV, LXXVI, LXXVII, LXXVIII, LXXIX, LXXX, LXXXI, LXXXII, LXXXIII, LXXXIV, LXXXV, LXXXVI, LXXXVII, LXXXVIII, LXXXIX, XL, XLI, XLII, XLIII, XLIV, XLV, XLVI, XLVII, XLVIII, XLIX, L, LI, LII, LIII, LIV, LV, LVI, LVII, LVIII, LIX, LX, LXI, LXII, LXIII, LXIV, LXV, LXVI, LXVII, LXVIII, LXIX, LXX, LXXI, LXXII, LXXIII, LXXIV, LXXV, LXXVI, LXXVII, LXXVIII, LXXIX, LXXX, LXXXI, LXXXII, LXXXIII, LXXXIV, LXXXV, LXXXVI, LXXXVII, LXXXVIII, LXXXIX, XL, XLI, XLII, XLIII, XLIV, XLV, XLVI, XLVII, XLVIII, XLIX, L, LI, LII, LIII, LIV, LV, LVI, LVII, LVIII, LIX, LX, LXI, LXII, LXIII, LXIV, LXV, LXVI, LXVII, LXVIII, LXIX, LXX, LXXI, LXXII, LXXIII, LXXIV, LXXV, LXXVI, LXXVII, LXXVIII, LXXIX, LXXX, LXXXI, LXXXII, LXXXIII, LXXXIV, LXXXV, LXXXVI, LXXXVII, LXXXVIII, LXXXIX, XL, XLI, XLII, XLIII, XLIV, XLV, XLVI, XLVII, XLVIII, XLIX, L, LI, LII, LIII, LIV, LV, LVI, LVII, LVIII, LIX, LX, LXI, LXII, LXIII, LXIV, LXV, LXVI, LXVII, LXVIII, LXIX, LXX, LXXI, LXXII, LXXIII, LXXIV, LXXV, LXXVI, LXXVII, LXXVIII, LXXIX, LXXX, LXXXI, LXXXII, LXXXIII, LXXXIV, LXXXV, LXXXVI, LXXXVII, LXXXVIII, LXXXIX, XL, XLI, XLII, XLIII, XLIV, XLV, XLVI, XLVII, XLVIII, XLIX, L, LI, LII, LIII, LIV, LV, LVI, LVII, LVIII, LIX, LX, LXI, LXII, LXIII, LXIV, LXV, LXVI, LXVII, LXVIII, LXIX, LXX, LXXI, LXXII, LXXIII, LXXIV, LXXV, LXXVI, LXXVII, LXXVIII, LXXIX, LXXX, LXXXI, LXXXII, LXXXIII, LXXXIV, LXXXV, LXXXVI, LXXXVII, LXXXVIII, LXXXIX, XL, XLI, XLII, XLIII, XLIV, XLV, XLVI, XLVII, XLVIII, XLIX, L, LI, LII, LIII, LIV, LV, LVI, LVII, LVIII, LIX, LX, LXI, LXII, LXIII, LXIV, LXV, LXVI, LXVII, LXVIII, LXIX, LXX, LXXI, LXXII, LXXIII, LXXIV, LXXV, LXXVI, LXXVII, LXXVIII, LXXIX, LXXX, LXXXI, LXXXII, LXXXIII, LXXXIV, LXXXV, LXXXVI, LXXXVII, LXXXVIII, LXXXIX, XL, XLI, XLII, XLIII, XLIV, XLV, XLVI, XLVII, XLVIII, XLIX, L, LI, LII, LIII, LIV, LV, LVI, LVII, LVIII, LIX, LX, LXI, LXII, LXIII, LXIV, LXV, LXVI, LXVII, LXVIII, LXIX, LXX, LXXI, LXXII, LXXIII, LXXIV, LXXV, LXXVI, LXXVII, LXXVIII, LXXIX, LXXX, LXXXI, LXXXII, LXXXIII, LXXXIV, LXXXV, LXXXVI, LXXXVII, LXXXVIII, LXXXIX, XL, XLI, XLII, XLIII, XLIV, XLV, XLVI, XLVII, XLVIII, XLIX, L, LI, LII, LIII, LIV, LV, LVI, LVII, LVIII, LIX, LX, LXI, LXII, LXIII, LXIV, LXV, LXVI, LXVII, LXVIII, LXIX, LXX, LXXI, LXXII, LXXIII, LXXIV, LXXV, LXXVI, LXXVII, LXXVIII, LXXIX, LXXX, LXXXI, LXXXII, LXXXIII, LXXXIV, LXXXV, LXXXVI, LXXXVII, LXXXVIII, LXXXIX, XL, XLI, XLII, XLIII, XLIV, XLV, XLVI, XLVII, XLVIII, XLIX, L, LI, LII, LIII, LIV, LV, LVI, LVII, LVIII, LIX, LX, LXI, LXII, LXIII, LXIV, LXV, LXVI, LXVII, LXVIII, LXIX, LXX, LXXI, LXXII, LXXIII, LXXIV, LXXV, LXXVI, LXXVII, LXXVIII, LXXIX, LXXX, LXXXI, LXXXII, LXXXIII, LXXXIV, LXXXV, LXXXVI, LXXXVII, LXXXVIII, LXXXIX, XL, XLI, XLII, XLIII, XLIV, XLV, XLVI, XLVII, XLVIII, XLIX, L, LI, LII, LIII, LIV, LV, LVI, LVII, LVIII, LIX, LX, LXI, LXII, LXIII, LXIV, LXV, LXVI, LXVII, LXVIII, LXIX, LXX, LXXI, LXXII, LXXIII, LXXIV, LXXV, LXXVI, LXXVII, LXXVIII, LXXIX, LXXX, LXXXI, LXXXII, LXXXIII, LXXXIV, LXXXV, LXXXVI, LXXXVII, LXXXVIII, LXXXIX, XL, XLI, XLII, XLIII, XLIV, XLV, XLVI, XLVII, XLVIII, XLIX, L, LI, LII, LIII, LIV, LV, LVI, LVII, LVIII, LIX, LX, LXI, LXII, LXIII, LXIV, LXV, LXVI, LXVII, LXVIII, LXIX, LXX, LXXI, LXXII, LXXIII, LXXIV, LXXV, LXXVI, LXXVII, LXXVIII, LXXIX, LXXX, LXXXI, LXXXII, LXXXIII, LXXXIV, LXXXV, LXXXVI, LXXXVII, LXXXVIII, LXXXIX, XL, XLI, XLII, XLIII, XLIV, XLV, XLVI, XLVII, XLVIII, XLIX, L, LI, LII, LIII, LIV, LV, LVI, LVII, LVIII, LIX, LX, LXI, LXII, LXIII, LXIV, LXV, LXVI, LXVII, LXVIII, LXIX, LXX, LXXI, LXXII, LXXIII, LXXIV, LXXV, LXXVI, LXXVII, LXXVIII, LXXIX, LXXX, LXXXI, LXXXII, LXXXIII, LXXXIV, LXXXV, LXXXVI, LXXXVII, LXXXVIII, LXXXIX, XL, XLI, XLII, XLIII, XLIV, XLV, XLVI, XLVII, XLVIII, XLIX, L, LI, LII, LIII, LIV, LV, LVI, LVII, LVIII, LIX, LX, LXI, LXII, LXIII, LXIV, LXV, LXVI, LXVII, LXVIII, LXIX, LXX, LXXI, LXXII, LXXIII, LXXIV, LXXV, LXXVI, LXXVII, LXXVIII, LXXIX, LXXX, LXXXI, LXXXII, LXXXIII, LXXXIV, LXXXV, LXXXVI, LXXXVII, LXXXVIII, LXXXIX, XL, XLI, XLII, XLIII, XLIV, XLV, XLVI, XLVII, XLVIII, XLIX, L, LI, LII, LIII, LIV, LV, LVI, LVII, LVIII, LIX, LX, LXI, LXII, LXIII, LXIV, LXV, LXVI, LXVII, LXVIII, LXIX, LXX, LXXI, LXXII, LXXIII, LXXIV, LXXV, LXXVI, LXXVII, LXXVIII, LXXIX, LXXX, LXXXI, LXXXII, LXXXIII, LXXXIV, LXXXV, LXXXVI, LXXXVII, LXXXVIII, LXXXIX, XL, XLI, XLII, XLIII, XLIV, XLV, XLVI, XLVII, XLVIII, XLIX, L, LI, LII, LIII, LIV, LV, LVI, LVII, LVIII, LIX, LX, LXI, LXII, LXIII, LXIV, LXV, LXVI, LXVII, LXVIII, LXIX, LXX, LXXI, LXXII, LXXIII, LXXIV, LXXV, LXXVI, LXXVII, LXXVIII, LXXIX, LXXX, LXXXI, LXXXII, LXXXIII, LXXXIV, LXXXV, LXXXVI, LXXXVII, LXXXVIII, LXXXIX, XL, XLI, XLII, XLIII, XLIV, XLV, XLVI, XLVII, XLVIII, XLIX, L, LI, LII, LIII, LIV, LV, LVI, LVII, LVIII, LIX, LX, LXI, LXII, LXIII, LXIV, LXV, LXVI, LXVII, LXVIII, LXIX, LXX, LXXI, LXXII, LXXIII, LXXIV, LXXV, LXXVI, LXXVII, LXXVIII, LXXIX, LXXX, LXXXI, LXXXII, LXXXIII, LXXXIV, LXXXV, LXXXVI, LXXXVII, LXXXVIII, LXXXIX, XL, XLI, XLII, XLIII, XLIV, XLV, XLVI, XLVII, XLVIII, XLIX, L, LI, LII, LIII, LIV, LV, LVI, LVII, LVIII, LIX, LX, LXI, LXII, LXIII, LXIV, LXV, LXVI, LXVII, LXVIII, LXIX, LXX, LXXI, LXXII, LXXIII, LXXIV, LXXV, LXXVI, LXXVII, LXXVIII, LXXIX, LXXX, LXXXI, LXXXII, LXXXIII, LXXXIV, LXXXV, LXXXVI, LXXXVII, LXXXVIII, LXXXIX, XL, XLI, XLII, XLIII, XLIV, XLV, XLVI, XLVII, XLVIII, XLIX, L, LI, LII, LIII, LIV, LV, LVI, LVII, LVIII, LIX, LX, LXI, LXII, LXIII, LXIV, LXV, LXVI, LXVII, LXVIII, LXIX, LXX, LXXI, LXXII, LXXIII, LXXIV, LXXV, LXXVI, LXXVII, LXXVIII, LXXIX, LXXX, LXXXI, LXXXII, LXXXIII, LXXXIV, LXXXV, LXXXVI, LXXXVII, LXXXVIII, LXXXIX, XL, XLI, XLII, XLIII, XLIV, XLV, XLVI, XLVII, XLVIII, XLIX, L, LI, LII, LIII, LIV, LV, LVI, LVII, LVIII, LIX, LX, LXI, LXII, LXIII, LXIV, LXV, LXVI, LXVII, LXVIII, LXIX, LXX, LXXI, LXXII, LXXIII, LXXIV, LXXV, LXXVI, LXXVII, LXXVIII, LXXIX, LXXX, LXXXI, LXXXII, LXXXIII, LXXXIV, LXXXV, LXXXVI, LXXXVII, LXXXVIII, LXXXIX, XL, XLI, XLII, XLIII, XLIV, XLV, XLVI, XLVII, XLVIII, XLIX, L, LI, LII, LIII, LIV, LV, LVI, LVII, LVIII, LIX, LX, LXI, LXII, LXIII, LXIV, LXV, LXVI, LXVII, LXVIII, LXIX, LXX, LXXI, LXXII, LXXIII, LXXIV, LXXV, LXXVI, LXXVII, LXXVIII, LXXIX, LXXX, LXXXI, LXXXII, LXXXIII, LXXXIV, LXXXV, LXXXVI, LXXXVII, LXXXVIII, LXXXIX, XL, XLI, XLII, XLIII, XLIV, XLV, XLVI, XLVII, XLVIII, XLIX, L, LI, LII, LIII, LIV, LV, LVI, LVII, LVIII, LIX, LX, LXI, LXII, LXIII, LXIV, LXV, LXVI, LXVII, LXVIII, LXIX, LXX, LXXI, LXXII, LXXIII, LXXIV, LXXV, LXXVI, LXXVII, LXXVIII, LXXIX, LXXX, LXXXI, LXXXII, LXXXIII, LXXXIV, LXXXV, LXXXVI, LXXXVII, LXXXVIII, LXXXIX, XL, XLI, XLII, XLIII, XLIV, XLV, XLVI, XLVII, XLVIII, XLIX, L, LI, LII, LIII, LIV, LV, LVI, LVII, LVIII, LIX, LX, LXI, LXII, LXIII, LXIV, LXV, LXVI, LXVII, LXVIII, LXIX, LXX, LXXI, LXXII, LXXIII, LXXIV, LXXV, LXXVI, LXXVII, LXXVIII, LXXIX, LXXX, LXXXI, LXXXII, LXXXIII, LXXXIV, LXXXV, LXXXVI, LXXXVII, LXXXVIII, LXXXIX, XL, XLI, XLII, XLIII, XLIV, XLV, XLVI, XLVII, XLVIII, XLIX, L, LI, LII, LIII, LIV, LV, LVI, LVII, LVIII, LIX, LX, LXI, LXII, LXIII, LXIV, LXV, LXVI, LXVII, LXVIII, LXIX, LXX, LXXI, LXXII, LXXIII, LXXIV, LXXV, LXXVI, LXXVII, LXXVIII, LXXIX, LXXX, LXXXI, LXXXII, LXXXIII, LXXXIV, LXXXV, LXXXVI, LXXXVII, LXXXVIII, LXXXIX, XL, XLI, XLII, XLIII, XLIV, XLV, XLVI, XLVII, XLVIII, XLIX, L, LI, LII, LIII, LIV, LV, LVI, LVII, LVIII, LIX, LX, LXI, LXII, LXIII, LXIV, LXV, LXVI, LXVII, LXVIII, LXIX, LXX, LXXI, LXXII, LXXIII, LXXIV, LXXV, LXXVI, LXXVII, LXXVIII, LXXIX, LXXX, LXXXI, LXXXII, LXXXIII, LXXXIV, LXXXV, LXXXVI, LXXXVII, LXXXVIII, LXXXIX, XL, XLI, XLII, XLIII, XLIV, XLV, XLVI, XLVII, XLVIII, XLIX, L, LI, LII, LIII, LIV, LV, LVI, LVII, LVIII, LIX, LX, LXI, LXII, LXIII, LXIV, LXV, LXVI, LXVII, LXVIII, LXIX, LXX, LXXI, LXXII, LXXIII, LXXIV, LXXV, LXXVI, LXXVII, LXXVIII, LXXIX, LXXX, LXXXI, LXXXII, LXXXIII, LXXXIV, LXXXV, LXXXVI, LXXXVII, LXXXVIII, LXXXIX, XL, XLI, XLII, XLIII, XLIV, XLV, XLVI, XLVII, XLVIII, XLIX, L, LI, LII, LIII, LIV, LV, LVI, LVII, LVIII, LIX, LX, LXI, LXII, LXIII, LXIV, LXV, LXVI, LXVII, LXVIII, LXIX, LXX, LXXI, LXXII, LXXIII, LXXIV, LXXV, LXXVI, LXXVII, LXXVIII, LXXIX, LXXX, LXXXI, LXXXII, LXXXIII, LXXXIV, LXXXV, LXXXVI, LXXXVII, LXXXVIII, LXXXIX, XL, XLI, XLII, XLIII, XLIV, XLV, XLVI, XLVII, XLVIII, XLIX, L, LI, LII, LIII, LIV, LV, LVI, LVII, LVIII, LIX, LX, LXI, LXII, LXIII, LXIV, LXV, LXVI, LXVII, LXVIII, LXIX, LXX, LXXI, LXXII, LXXIII, LXXIV, LXXV, LXXVI, LXXVII, LXXVIII, LXXIX, LXXX, LXXXI, LXXXII, LXXXIII, LXXXIV, LXXXV, LXXXVI, LXXXVII, LXXXVIII, LXXXIX, XL, XLI, XLII, XLIII, XLIV, XLV, XLVI, XLVII, XLVIII, XLIX, L, LI, LII, LIII, LIV, LV, LVI, LVII, LVIII, LIX, LX, LXI, LXII, LXIII, LXIV, LXV, LXVI, LXVII, LXVIII, LXIX, LXX, LXXI, LXXII, LXXIII, LXXIV, LXXV, LXXVI, LXXVII, LXXVIII, LXXIX, LXXX, LXXXI, LXXXII, LXXXIII, LXXXIV, LXXXV, LXXXVI, LXXXVII, LXXXVIII, LXXXIX, XL, XLI, XLII, XLIII, XLIV, XLV, XLVI, XLVII, XLVIII, XLIX, L, LI, LII, LIII, LIV, LV, LVI, LVII, LVIII, LIX, LX, LXI, LXII, LXIII, LXIV, LXV, LXVI, LXVII, LXVIII, LXIX, LXX, LXXI, LXXII, LXXIII, LXXIV, LXXV, LXXVI, LXXVII, LXXVIII, LXXIX, LXXX, LXXXI, LXXXII, LXXXIII, LXXXIV, LXXXV, LXXXVI, LXXXVII, LXXXVIII, LXXXIX, XL, XLI, XLII, XLIII, XLIV, XLV, XLVI, XLVII, XLVIII, XLIX, L, LI, LII, LIII, LIV, LV, LVI, LVII, LVIII, LIX, LX, LXI, LXII, LXIII, LXIV, LXV, LXVI, LXVII, LXVIII, LXIX, LXX, LXXI, LXXII, LXXIII, LXXIV, LXXV, LXXVI, LXXVII, LXXVIII, LXXIX, LXXX, LXXXI, LXXXII, LXXXIII, LXXXIV, LXXXV, LXXXVI, LXXXVII, LXXXVIII, LXXXIX, XL, XLI, XLII, XLIII, XLIV, XLV, XLVI, XLVII, XLVIII, XLIX, L, LI, LII, LIII, LIV, LV, LVI, LVII, LVIII, LIX, LX, LXI, LXII, LXIII, LXIV, LXV, LXVI, LXVII, LXVIII, LXIX, LXX, LXXI, LXXII, LXXIII, LXXIV, LXXV, LXXVI, LXXVII, LXXVIII, LXXIX, LXXX, LXXXI, LXXXII, LXXXIII, LXXXIV, LXXXV, LXXXVI, LXXXVII, LXXXVIII, LXXXIX, XL, XLI, XLII, XLIII, XLIV, XLV, XLVI, XLVII, XLVIII, XLIX, L, LI, LII, LIII, LIV, LV, LVI, LVII, LVIII, LIX, LX, LXI, LXII, LXIII, LXIV, LXV, LXVI, LXVII, LXVIII, LXIX, LXX, LXXI, LXXII, LXXIII, LXXIV, LXXV, LXXVI, LXXVII, LXXVIII, LXXIX, LXXX, LXXXI, LXXXII, LXXXIII, LXXXIV, LXXXV, LXXXVI, LXXXVII, LXXXVIII, LXXXIX, XL, XLI, XLII, XLIII, XLIV, XLV, XLVI, XLVII, XLVIII, XLIX, L, LI, LII, LIII, LIV, LV, LVI, LVII, LVIII, LIX, LX, LXI, LXII, LXIII, LXIV, LXV, LXVI, LXVII, LXVIII, LXIX, LXX, LXXI, LXXII, LXXIII, LXXIV, LXXV, LXXVI, LXXVII, LXXVIII, LXXIX, LXXX, LXXXI, LXXXII, LXXXIII, LXXXIV, LXXXV, LXXXVI, LXXXVII, LXXXVIII, LXXXIX, XL, XLI, XLII, XLIII, XLIV, XLV, XLVI, XLVII, XLVIII, XLIX, L, LI, LII, LIII, LIV, LV, LVI, LVII, LVIII, LIX, LX, LXI, LXII, LXIII, LXIV, LXV, LXVI, LXVII, LXVIII, LXIX, LXX, LXXI, LXXII, LXXIII, LXXIV, LXXV, LXXVI, LXXVII, LXXVIII, LXXIX, LXXX, LXXXI, LXXXII, LXXXIII, LXXXIV, LXXXV, LXXXVI, LXXXVII, LXXXVIII, LXXXIX, XL, XLI, XLII, XLIII, XLIV, XLV, XLVI, XLVII, XLVIII, XLIX, L, LI, LII, LIII, LIV, LV, LVI, LVII, LVIII, LIX, LX, LXI, LXII, LXIII, LXIV, LXV, LXVI, LXVII, LXVIII, LXIX, LXX, LXXI, LXXII, LXXIII, LXXIV, LXXV, LXXVI, LXXVII, LXXVIII, LXXIX, LXXX, LXXXI, LXXXII, LXXXIII, LXXXIV, LXXXV, LXXXVI, LXXXVII, LXXXVIII, LXXXIX, XL, XLI, XLII, XLIII, XLIV, XLV, XLVI, XLVII, XLVIII, XLIX, L, LI, LII, LIII, LIV, LV, LVI, LVII, LVIII, LIX, LX, LXI, LXII, LXIII, LXIV, LXV, LXVI, LXVII, LXVIII, LXIX, LXX, LXXI, LXXII, LXXIII, LXXIV, LXXV, LXXVI, LXXVII, LXXVIII, LXXIX, LXXX, LXXXI, LXXXII, LXXXIII, LXXXIV, LXXXV, LXXXVI, LXXXVII, LXXXVIII, LXXXIX, XL, XLI, XLII, XLIII, XLIV, XLV, XLVI, XLVII, XLVIII, XLIX, L, LI, LII, LIII, LIV, LV, LVI, LVII, LVIII, LIX, LX, LXI, LXII, LXIII, LXIV, LXV, LXVI, LXVII, LXVIII, LXIX, LXX, LXXI, LXXII, LXXIII, LXXIV, LXXV, LXXVI, LXXVII, LXXVIII, LXXIX, LXXX, LXXXI, LXXXII, LXXXIII, LXXXIV, LXXXV, LXXXVI, LXXXVII, LXXXVIII, LXXXIX, XL, XLI, XLII, XLIII, XLIV, XLV, XLVI, XLVII, XLVIII, XLIX, L, LI, LII, LIII, LIV, LV, LVI, LVII, LVIII, LIX, LX, LXI, LXII, LXIII, LXIV, LXV, LXVI, LXVII, LXVIII, LXIX, LXX, LXXI, LXXII, LXXIII, LXXIV, LXXV, LXXVI, LXXVII, LXXVIII, LXXIX, LXXX, LXXXI, LXXXII, LXXXIII, LXXXIV, LXXXV, LXXXVI, LXXXVII, LXXXVIII, LXXXIX, XL, XLI, XLII, XLIII, XLIV, XLV, XLVI, XLVII, XLVIII, XLIX, L, LI, LII, LIII, LIV, LV, LVI, LVII, LVIII, LIX, LX, LXI, LXII, LXIII, LXIV, LXV, LXVI, LXVII, LXVIII, LXIX, LXX, LXXI, LXXII, LXXIII, LXXIV, LXXV, LXXVI, LXXVII, LXXVIII, LXXIX, LXXX, LXXXI, LXXXII, LXXXIII, LXXXIV, LXXXV, LXXXVI, LXXXVII, LXXXVIII, LXXXIX, XL, XLI, XLII, XLIII, XLIV, XLV, XLVI, XLVII, XLVIII, XLIX, L, LI, LII, LIII, LIV, LV, LVI, LVII, LVIII, LIX, LX, LXI, LXII, LXIII, LXIV, LXV, LXVI, LXVII, LXVIII, LXIX, LXX, LXXI, LXXII, LXXIII, LXXIV, LXXV, LXXVI, LXXVII, LXXVIII, LXXIX, LXXX, LXXXI, LXXXII, LXXXIII, LXXXIV, LXXXV, LXXXVI, LXXXVII, LXXXVIII, LXXXIX, XL, XLI, XLII, XLIII, XLIV, XLV, XLVI, XLVII, XLVIII, XLIX, L, LI, LII, LIII, LIV, LV, LVI, LVII, LVIII, LIX, LX, LXI, LXII, LXIII, LXIV, LXV, LXVI, LXVII, LXVIII, LXIX, LXX, LXXI, LXXII, LXXIII, LXXIV, LXXV, LXXVI, LXXVII, LXXVIII, LXXIX, LXXX, LXXXI, LXXXII, LXXXIII, LXXXIV, LXXXV, LXXXVI, LXXXVII, LXXXVIII, LXXXIX, XL, XLI, XLII, XLIII, XLIV, XLV, XLVI, XLVII, XLVIII, XLIX, L, LI, LII, LIII, LIV, LV, LVI, LVII, LVIII, LIX, LX, LXI, LXII,