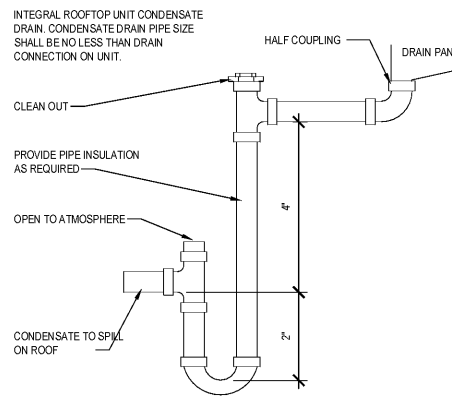


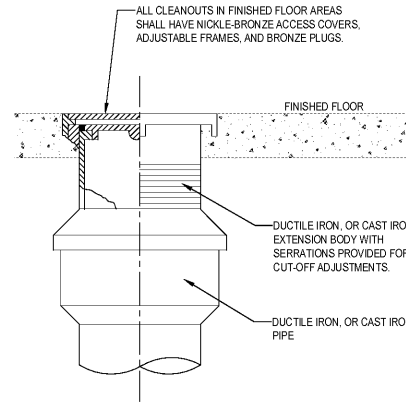
1 DOUBLE CLEANOUT DETAIL

P4



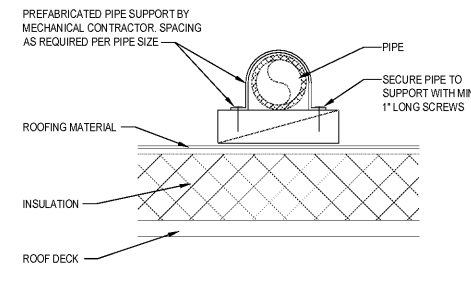
2 CONDENSATE DRAIN DETAIL

P4



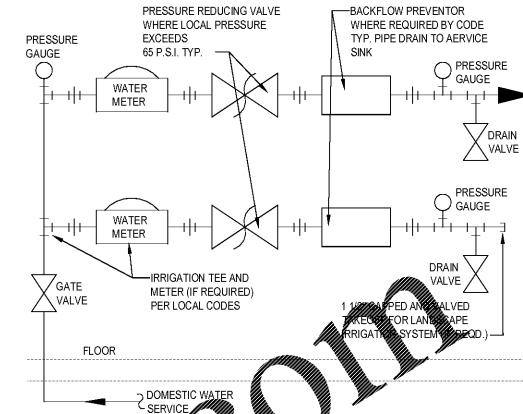
3 CLEANOUT DETAIL

P4



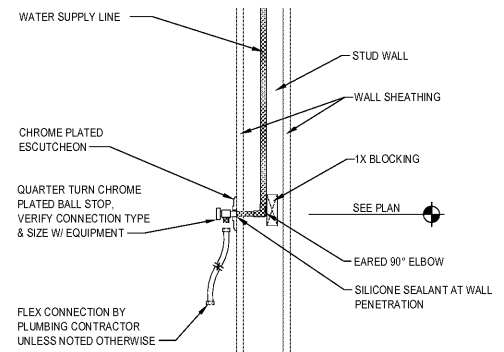
4 ROOF PIPE SUPPORT DETAIL

P4



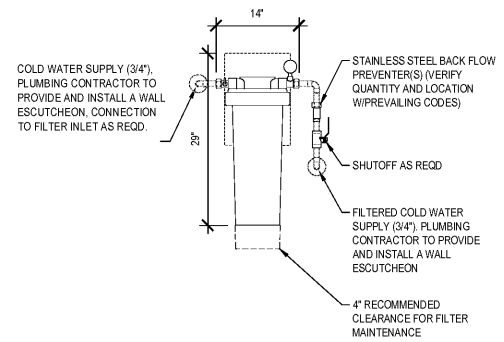
5 WATER METER DETAIL

P4



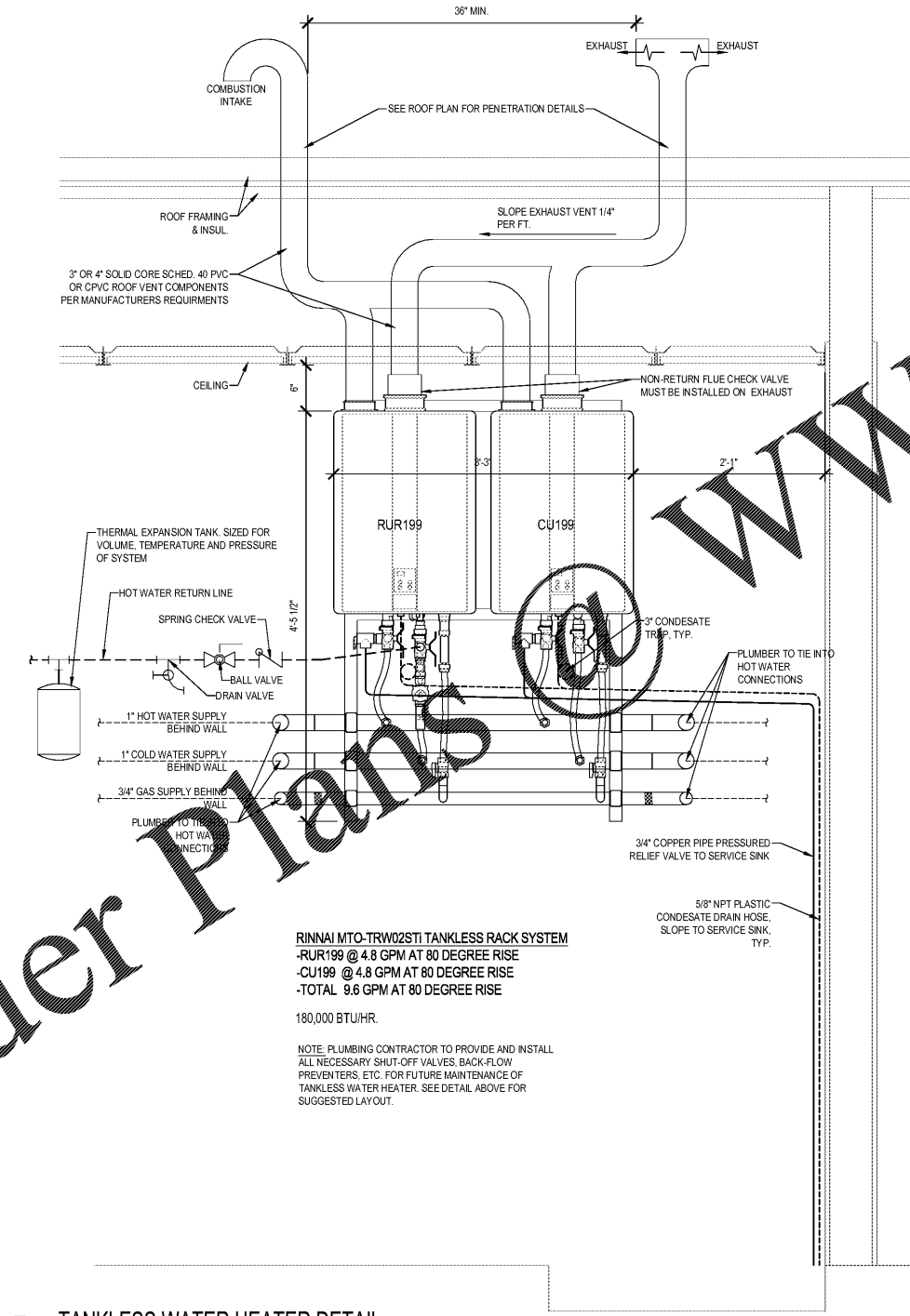
6 TYP. WATER SUPPLY CONN.

P4



7 WATER FILTER DETAIL

P4



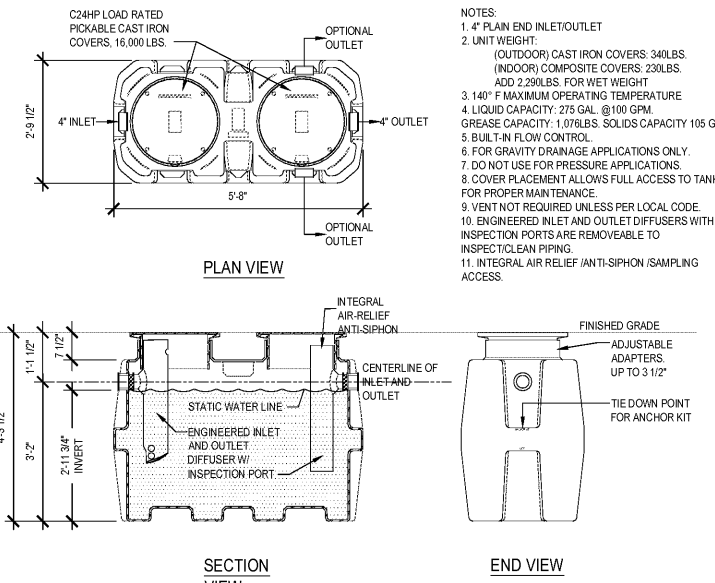
RINNAI MTO-TRW02STI TANKLESS RACK SYSTEM
 -RUR199 @ 4.8 GPM AT 80 DEGREE RISE
 -CU199 @ 4.8 GPM AT 80 DEGREE RISE
 -TOTAL 9.6 GPM AT 80 DEGREE RISE
 180,000 BTU/HR.

NOTE: PLUMBING CONTRACTOR TO PROVIDE AND INSTALL ALL NECESSARY SHUT-OFF VALVES, BACK-FLOW PREVENTERS, ETC. FOR FUTURE MAINTENANCE OF TANKLESS WATER HEATER. SEE DETAIL ABOVE FOR SUGGESTED LAYOUT.

8 TANKLESS WATER HEATER DETAIL

P4

SCHIER GB-250 GREASE INTERCEPTOR



9 GREASE TRAP DETAIL

P4

JAMES E. WILKERSON
 A.I.A.
 119 East Tallulah Drive
 Greenville, S.C. 29605
 864-370-2582
 864-240-5375 f

MATTHEW J. WILLIAMS
 LICENSE
 No. 74427
 STATE OF FLORIDA
 PROFESSIONAL ENGINEER

FLA REG. PE 74427
 JOB NO. 202016

DQ GRILL & CHILL
 US HWY 90 (LOT 2)
 GLEN ST MARY, FL
 32040

DQ

GRILL & CHILL

AMERICAN DAIRY QUEEN
 MINNEAPOLIS, MN U.S.A.

*REGISTERED U.S. PATENT OFFICE. AMERICAN DAIRY QUEEN CORPORATION. THIS DRAWING, ITS DESIGN DETAIL AND INVENTION ARE THE PROPERTY OF AMERICAN DAIRY QUEEN INC. (ADQ) AND SHALL NOT BE COPIED IN ANY MANNER NOR DISCLOSED TO ANY OUTSIDE PARTY WITHOUT ADQ CONSENT.

BUILDING TYPE:
 DAIRY QUEEN GRILL & CHILL
CORE66
 STORE No. 45961

DRAWN, CHECKED, & APPROVED BY: ADQ
 DESIGN-ARCHITECTURE-CONSTRUCTION
 (DAC) DEPARTMENT

THIS IS "PLAN" NORTH FOR ACTUAL BUILDING ORIENTATION REFER TO SITE PLAN (BY OTHERS)

ISSUE DATE:	10/30/2020
REVISION DATE:	10/30/2020
	ISSUE FOR CONSTRUCTION

PLUMBING DETAILS

SHEET NUMBER:
P4