

JAMES E. WILKERSON

A.I.A.

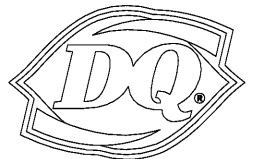
119 East Tallulah Drive
Greenville, S.C. 29605
864-370-2582
864-240-5375 f

FLA REG. PE 10331
JOB NO. 202016

Mark A. Hudson
Professional
Engineer

1350 C Cleveland St.
Greenville, SC 29607
(864) 235-3580
Fax: (864) 235-3577
PROJECT NO. 20330

DQ GRILL & CHILL
US HWY 90 (LOT 2)
GLEN ST MARY, FL
32040



GRILL & CHILL

AMERICAN DAIRY QUEEN
MINNEAPOLIS, MN U.S.A.

*REGISTERED U.S. PATENT OFFICE.
AMERICAN DAIRY QUEEN CORPORATION,
THIS DRAWING, ITS DESIGN DETAIL AND
INVENTION ARE THE PROPERTY OF
AMERICAN DAIRY QUEEN INC. (ADQ) AND
SHALL NOT BE COPIED IN ANY MANNER
NOR DISCLOSED TO ANY OUTSIDE
PARTY WITHOUT ADQ CONSENT.

BUILDING TYPE:
DAIRY QUEEN GRILL & CHILL
CORE66
STORE No. 45961

DRAWN, CHECKED, & APPROVED BY: ADQ
DESIGN-ARCHITECTURE-CONSTRUCTION
(DAC) DEPARTMENT

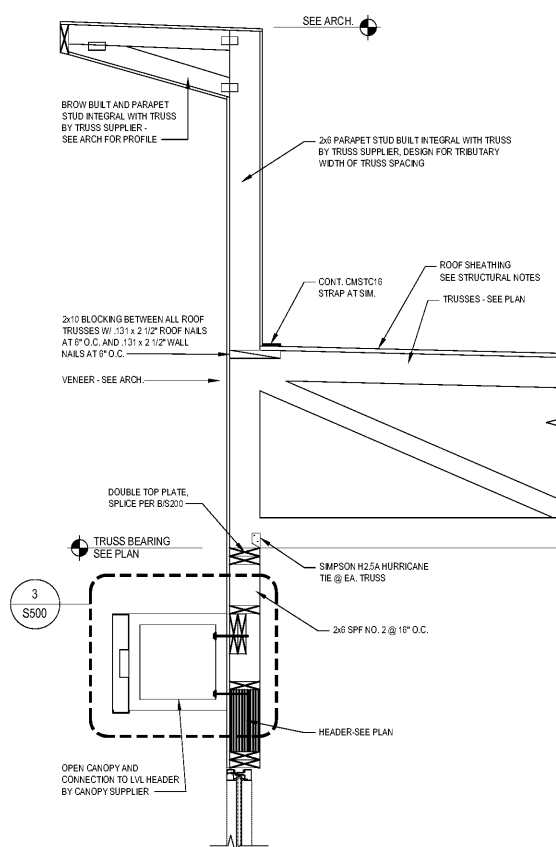
THIS IS "PLAN" NORTH
FOR ACTUAL BUILDING
ORIENTATION REFER TO
SITE PLAN (BY OTHERS)

ISSUE DATE:	11/06/2020
REVISION DATE:	
11/06/2020	ISSUE FOR CONSTRUCTION

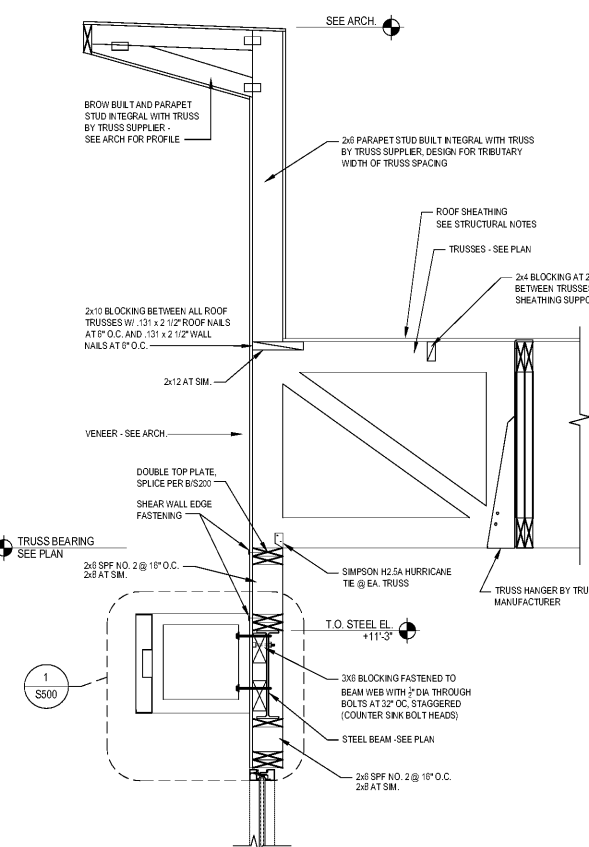
DETAILS

SHEET NUMBER:
S400

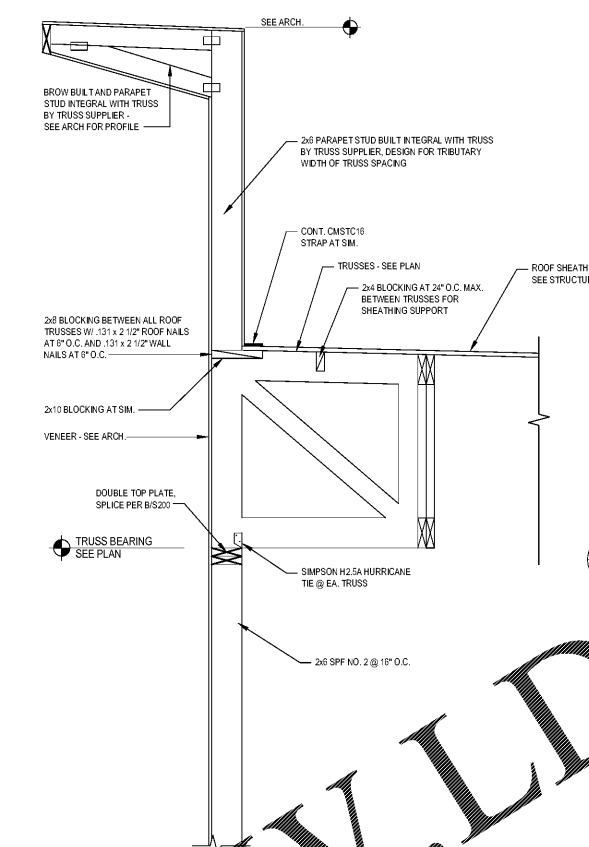
WWW.LDOnline.com



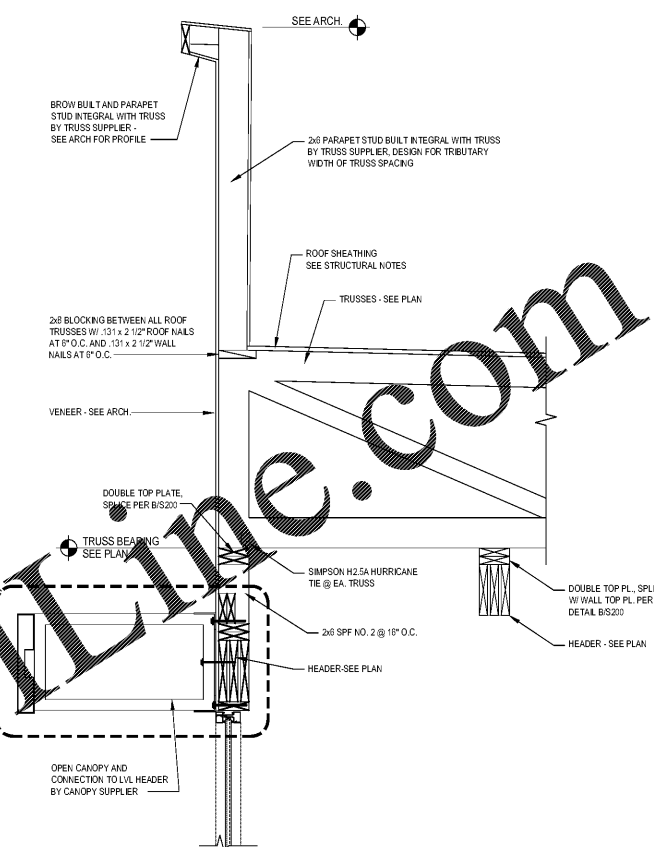
1 FRAMING DETAIL
S400 SCALE: 3/4" = 1'-0"



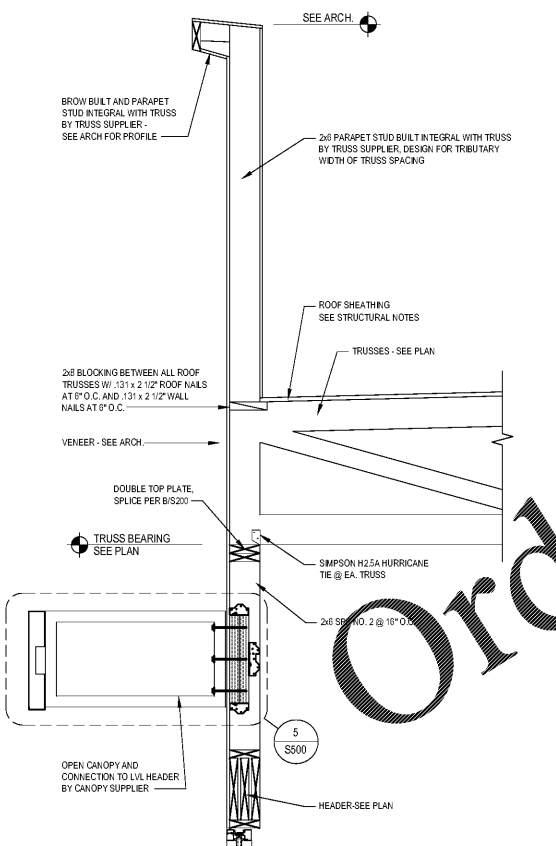
2 FRAMING DETAIL
S400 SCALE: 3/4" = 1'-0"



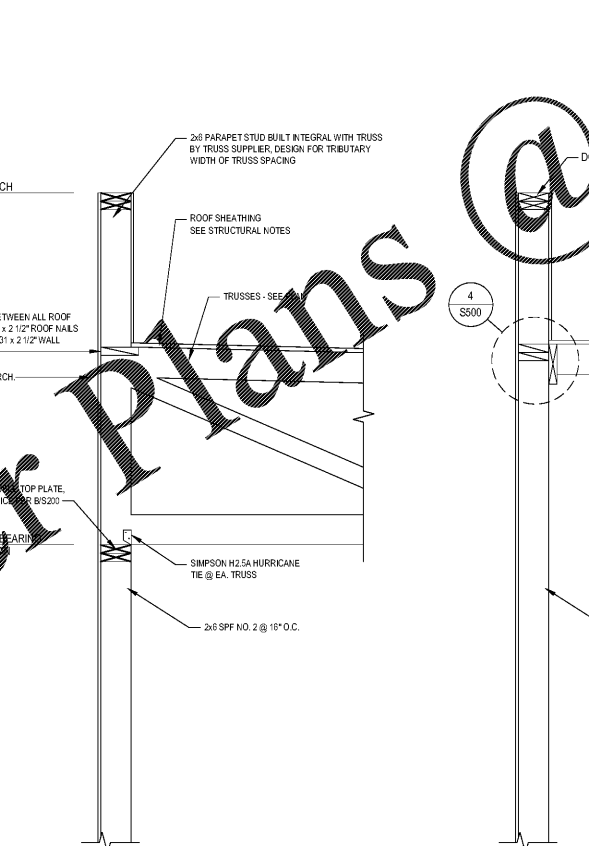
3 FRAMING DETAIL
S400 SCALE: 3/4" = 1'-0"



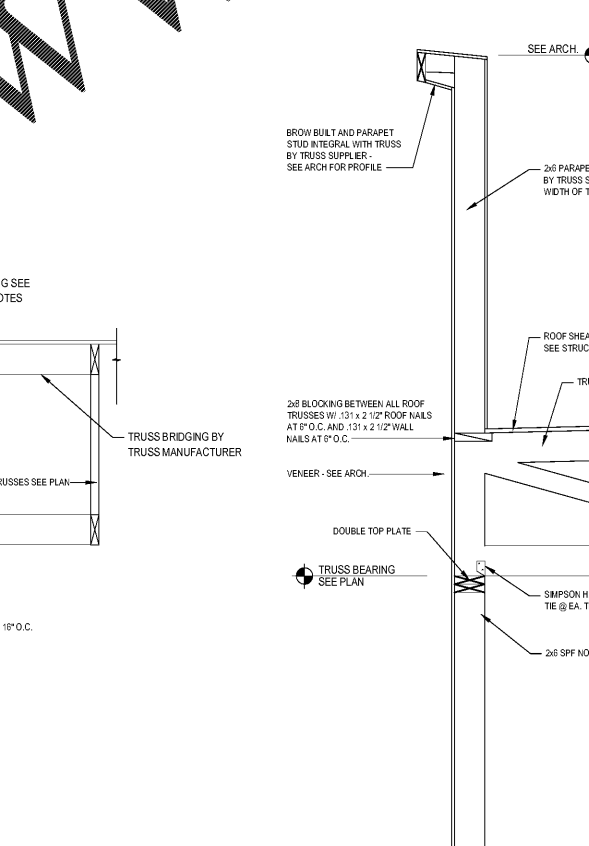
4 FRAMING DETAIL
S400 SCALE: 3/4" = 1'-0"



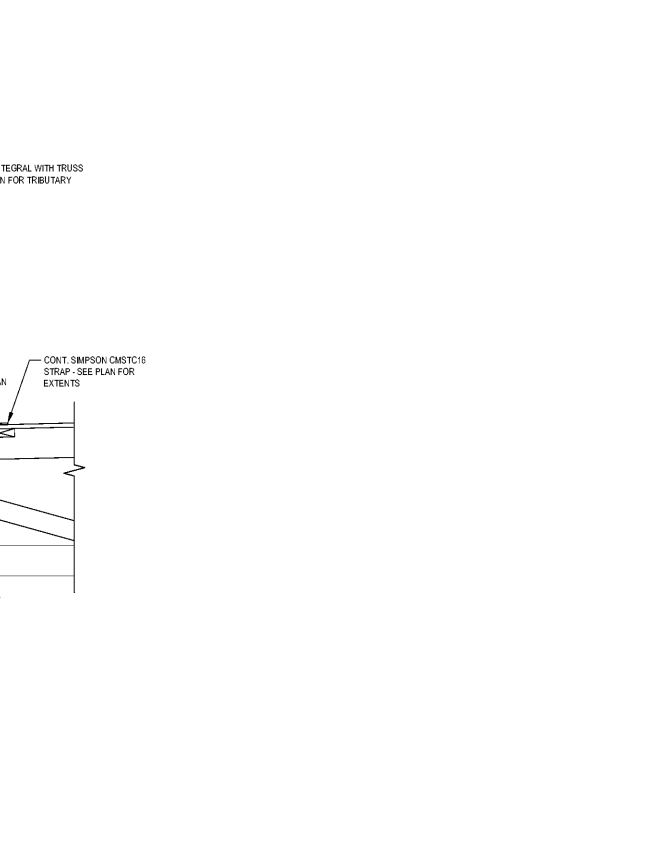
5 FRAMING DETAIL
S400 SCALE: 3/4" = 1'-0"



6 FRAMING DETAIL
S400 SCALE: 3/4" = 1'-0"



7 FRAMING DETAIL
S400 SCALE: 3/4" = 1'-0"



8 FRAMING DETAIL
S400 SCALE: 3/4" = 1'-0"