

JAMES E. WILKERSON  
A.I.A.

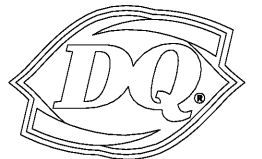
119 East Tallulah Drive  
Greenville, S.C. 29605  
864-370-2582  
864-240-5375 f

FLA REG. PE 10331  
JOB NO. 202016

Mark A. Hudson  
Professional  
Engineer

1350 C Cleveland St.  
Greenville, SC 29607  
(864) 235-3580  
Fax: (864) 235-3577  
PROJECT NO. 20330

DQ GRILL & CHILL  
US HWY 90 (LOT 2)  
GLEN ST MARY, FL  
32040



GRILL & CHILL

AMERICAN DAIRY QUEEN  
MINNEAPOLIS, MN U.S.A.

\*REGISTERED U.S. PATENT OFFICE.  
AMERICAN DAIRY QUEEN CORPORATION.  
THIS DRAWING, ITS DESIGN DETAIL AND  
INVENTION ARE THE PROPERTY OF  
AMERICAN DAIRY QUEEN INC. (ADQ) AND  
SHALL NOT BE COPIED IN ANY MANNER  
NOR DISCLOSED TO ANY OUTSIDE  
PARTY WITHOUT ADQ CONSENT.

BUILDING TYPE:  
DAIRY QUEEN GRILL & CHILL  
CORE66  
STORE No. 45461

DRAWN, CHECKED, & APPROVED BY: ADQ  
DESIGN-ARCHITECTURE-CONSTRUCTION  
(DAC) DEPARTMENT

THIS IS "PLAN" NORTH  
FOR ACTUAL BUILDING  
ORIENTATION REFER TO  
SITE PLAN (BY OTHERS)

ISSUE DATE: 11/06/2020

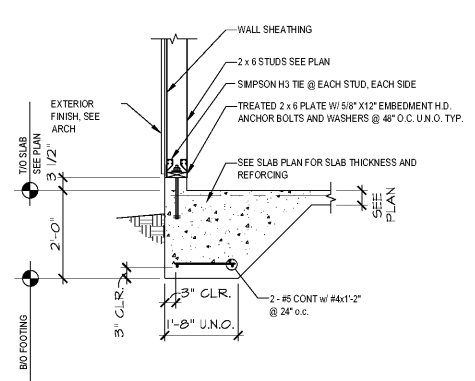
REVISION DATE:

11/06/2020 ISSUE FOR CONSTRUCTION

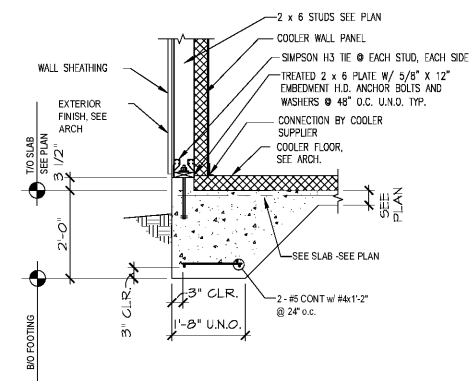
DETAILS

SHEET NUMBER:

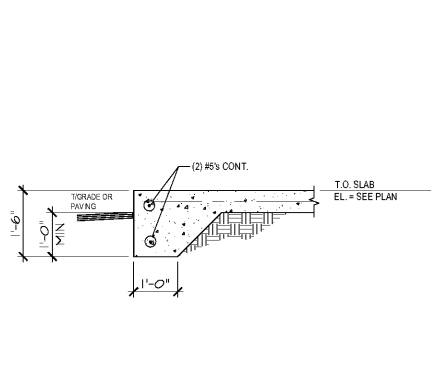
S300



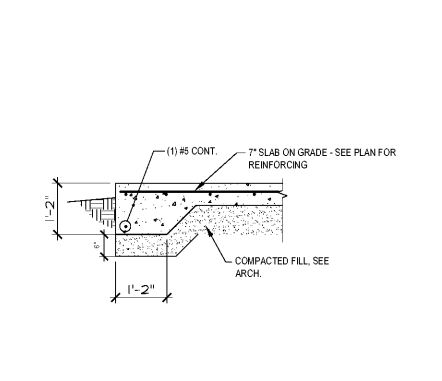
1 TYP. FOUNDATION SECTION  
S300 SCALE: 1/2" = 1'-0"



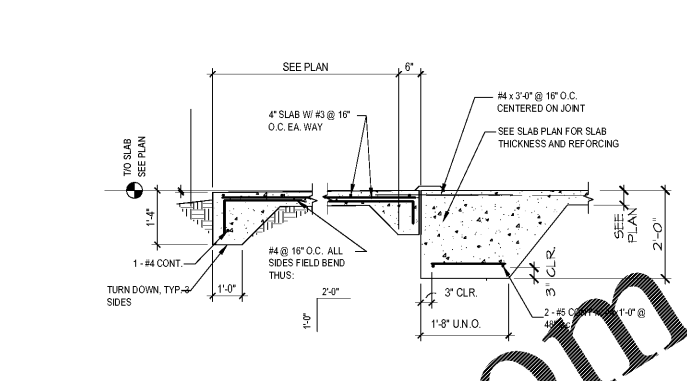
2 FOUNDATION SECTION  
S300 SCALE: 1/2" = 1'-0"



3 FOUNDATION @ PATIO  
S300 SCALE: 1/2" = 1'-0"

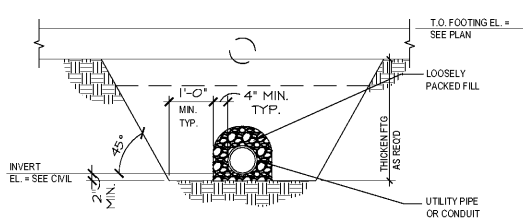


4 FOUNDATION @ TRASH ENCL  
S300 SCALE: 1/2" = 1'-0"



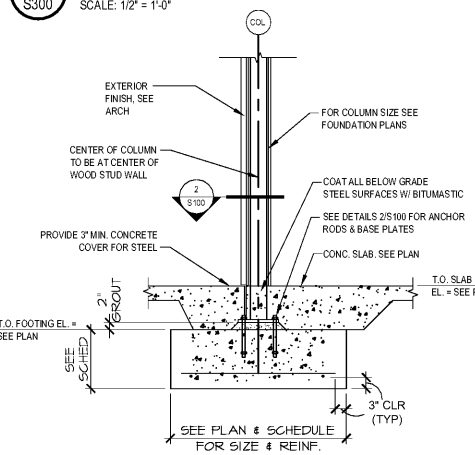
5 TYP. FOUNDATION AT ENTRY  
S300 SCALE: 1/2" = 1'-0"

NOTE:  
IF PIPE IS BELOW THE FOOTING, THICKEN  
FOOTING TO ENCASE THE PIPE 1'-0" EACH  
SIDE AND MINIMUM 2" BELOW PIPE. THUS:

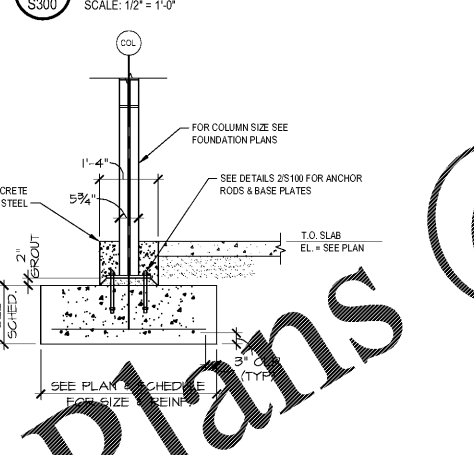


NOT USED

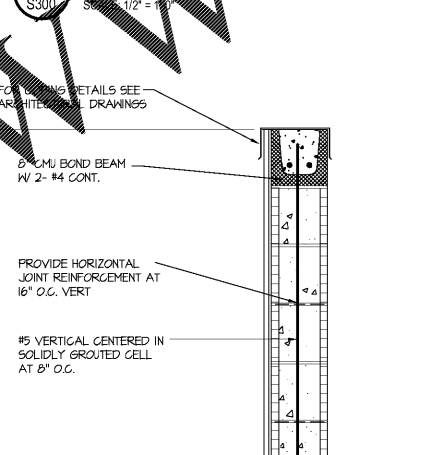
6 TYP. FOUNDATION SECTION  
S300 SCALE: 1/2" = 1'-0"



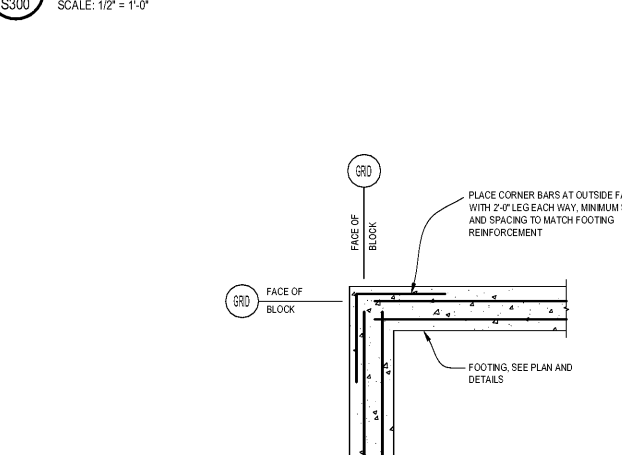
7 TYP. FOUNDATION SECTION  
S300 SCALE: 1/2" = 1'-0"



8 FOUND SECT. @ WINDOW  
S300 SCALE: 1/2" = 1'-0"



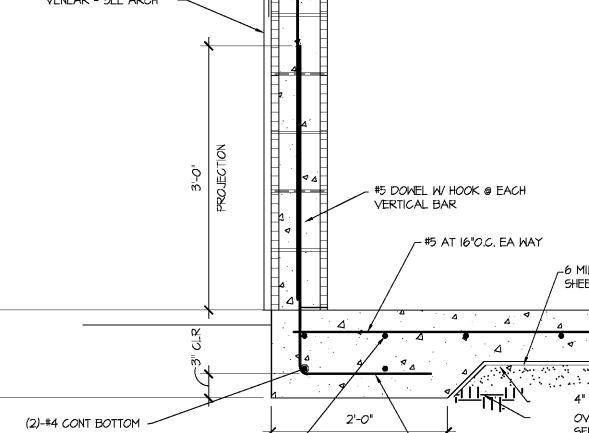
9 FOUNDATION SECT. @ WINDOW  
S300 SCALE: 1/2" = 1'-0"



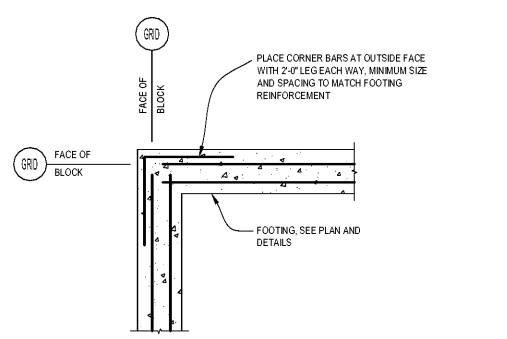
10 SECTION @ CANOPY COLUMN  
S300 SCALE: 1/2" = 1'-0"



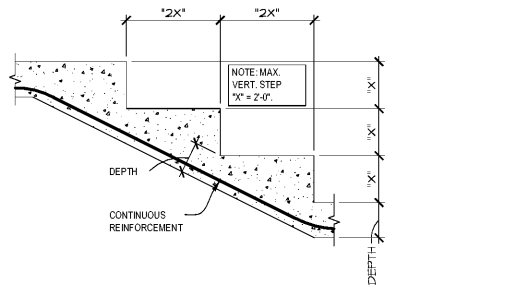
11 SECTION @ COLUMN  
S300 SCALE: 1/2" = 1'-0"



13 TRASH ENCLOSURE SECTION  
S300 SCALE: 1" = 1'-0"



A TYP. CORNER REINF. DETAIL  
S300 SCALE: N.T.S.



B TYP. STEPPED FTG DETAIL  
S300 SCALE: N.T.S.

Order Plans @

WWW.LDLINE.COM