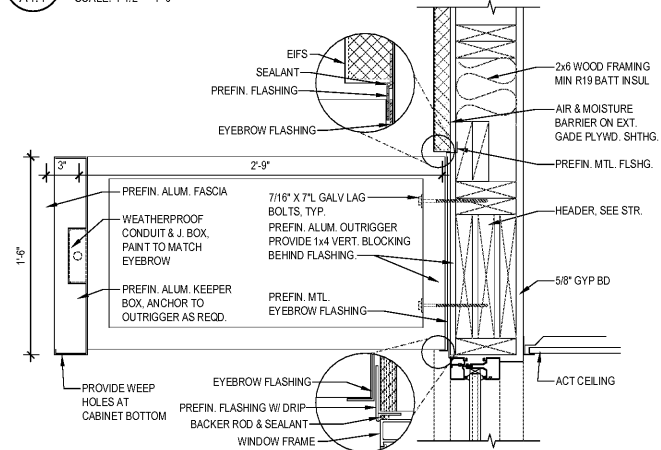


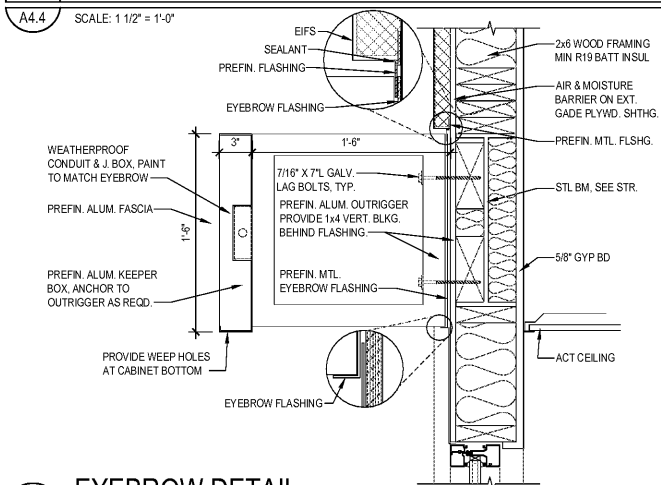
1 DT CANOPY DETAIL

A4.4 SCALE: 1 1/2" = 1'-0"



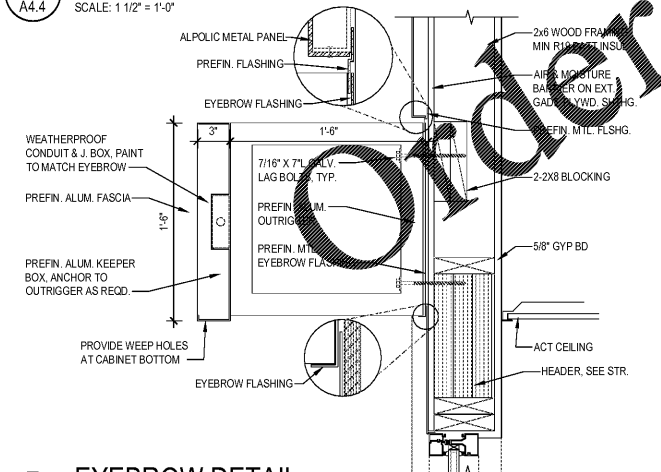
2 ENTRY CANOPY DETAIL

A4.4 SCALE: 1 1/2" = 1'-0"



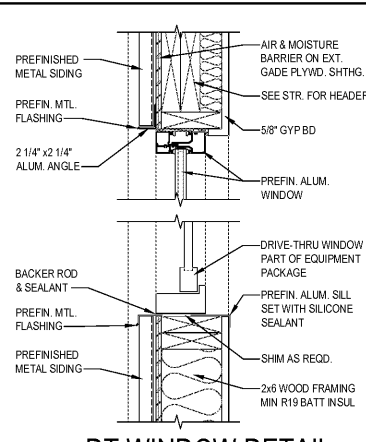
3 EYEBROW DETAIL

A4.4 SCALE: 1 1/2" = 1'-0"



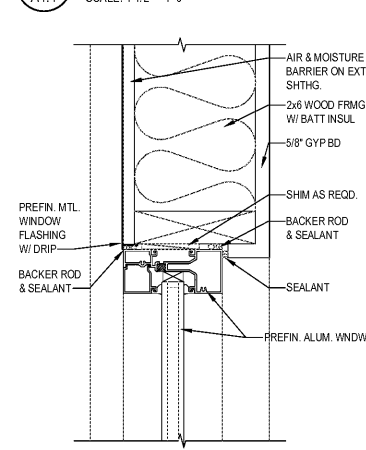
4 EYEBROW DETAIL

A4.4 SCALE: 1 1/2" = 1'-0"



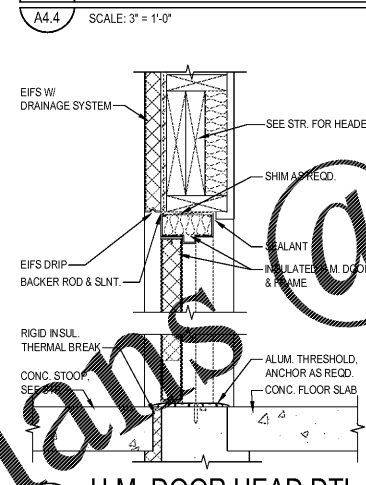
5 DT WINDOW DETAIL

A4.4 SCALE: 1 1/2" = 1'-0"



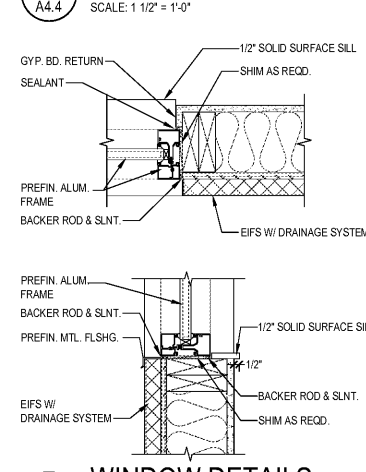
6 WINDOW HEAD DETAIL

A4.4 SCALE: 3" = 1'-0"



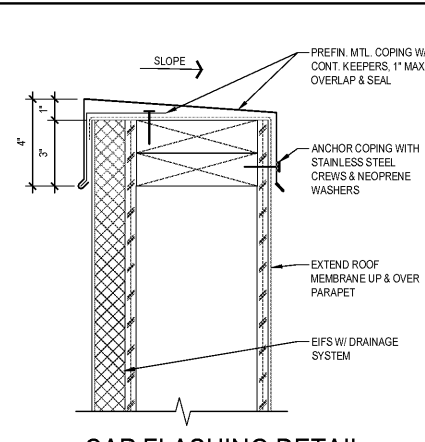
7 H.M. DOOR HEAD DTL.

A4.4 SCALE: 1 1/2" = 1'-0"



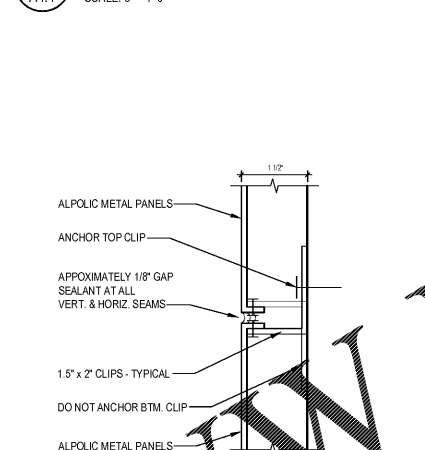
8 WINDOW DETAILS

A4.4 SCALE: 1 1/2" = 1'-0"



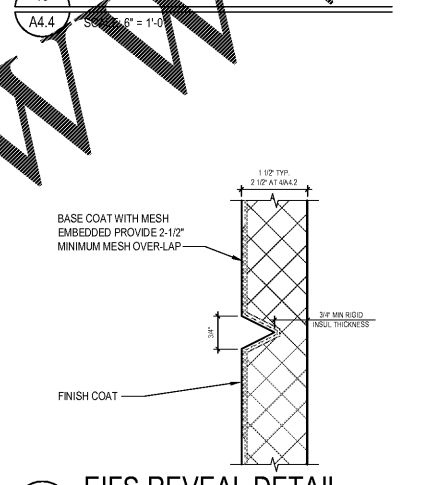
9 CAP FLASHING DETAIL

A4.4 SCALE: 3" = 1'-0"



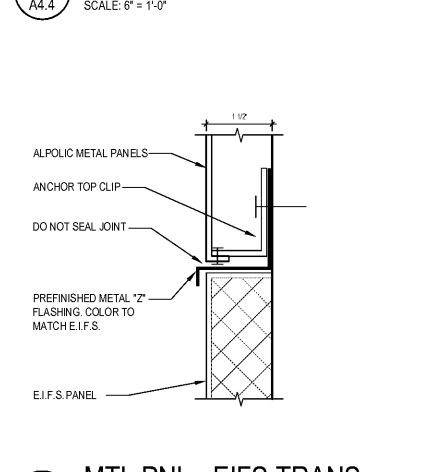
10 ALPOLIC PANEL JNT DTL.

A4.4 SCALE: 6" = 1'-0"



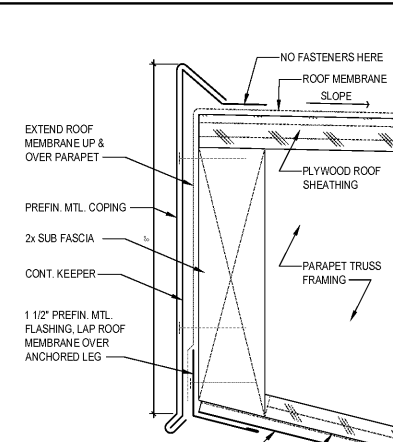
11 EIFS REVEAL DETAIL

A4.4 SCALE: 6" = 1'-0"



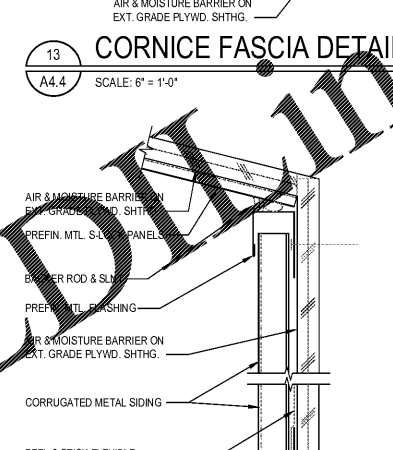
12 MTL PNL - EIFS TRANS

A4.4 SCALE: 6" = 1'-0"



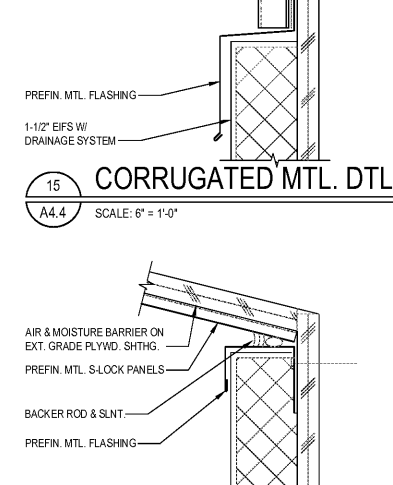
13 CORNICE FASCIA DETAIL

A4.4 SCALE: 6" = 1'-0"



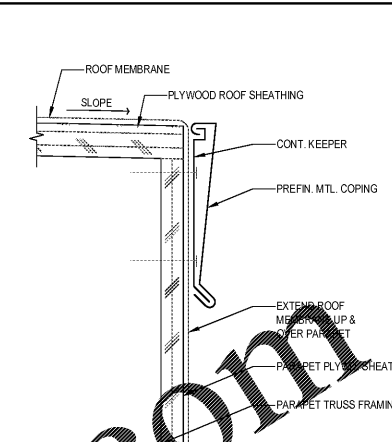
15 CORRUGATED MTL. DTL.

A4.4 SCALE: 6" = 1'-0"



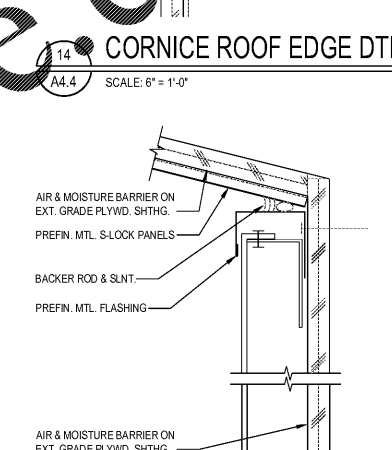
17 EIFS TRANSITION DTL.

A4.4 SCALE: 6" = 1'-0"



14 CORNICE ROOF EDGE DTL.

A4.4 SCALE: 6" = 1'-0"



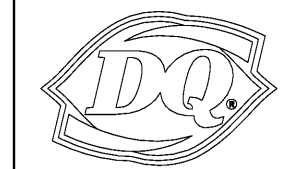
16 ALPOLIC TRANSITION DTL.

A4.4 SCALE: 6" = 1'-0"

JAMES E. WILKERSON
A.I.A.
119 East Tallulah Drive
Greenville, S.C. 29605
864-370-2582
864-240-5375 f

FLA REG. AR0015603
JOB NO. 202016

DQ GRILL & CHILL
US HWY 90 (LOT 2)
GLEN ST MARY, FL
32040



AMERICAN DAIRY QUEEN
MINNEAPOLIS, MN U.S.A.

*REGISTERED U.S. PATENT OFFICE.
AMERICAN DAIRY QUEEN CORPORATION.
THIS DRAWING, ITS DESIGN DETAIL AND
INVENTION ARE THE PROPERTY OF
AMERICAN DAIRY QUEEN INC. (ADQ) AND
SHALL NOT BE COPIED IN ANY MANNER
NOR DISCLOSED TO ANY OUTSIDE
PARTY WITHOUT ADQ CONSENT.

BUILDING TYPE:
DAIRY QUEEN GRILL & CHILL
CORE66
STORE No. 45961

DRAWN, CHECKED, & APPROVED BY: ADQ
DESIGN-ARCHITECTURE-CONSTRUCTION
(DAC) DEPARTMENT

THIS IS "PLAN" NORTH
FOR ACTUAL BUILDING
ORIENTATION REFER TO
SITE PLAN (BY OTHERS)

ISSUE DATE:	10/30/2020
REVISION DATE:	10/30/2020
ISSUE FOR CONSTRUCTION	▲
	▲
	▲
	▲
	▲

DETAILS
SHEET NUMBER:
A4.4