

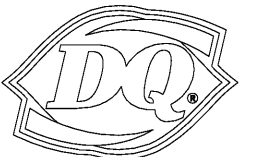


JAMES E. WILKERSON
A.I.A.

119 East Tallulah Drive
Greenville, S.C. 29605
864-370-2582
864-240-5375 f

FLA REG. AR0015603
JOB NO. 202016

DQ GRILL & CHILL
US HWY 90 (LOT 2)
GLEN ST MARY, FL
32040



GRILL & CHILL

AMERICAN DAIRY QUEEN
MINNEAPOLIS, MN U.S.A.

*REGISTERED U.S. PATENT OFFICE.
AMERICAN DAIRY QUEEN CORPORATION.
THIS DRAWING, ITS DESIGN DETAIL AND
INVENTION ARE THE PROPERTY OF
AMERICAN DAIRY QUEEN INC. (ADQ) AND
SHALL NOT BE COPIED IN ANY MANNER
NOR DISCLOSED TO ANY OUTSIDE
PARTY WITHOUT ADQ CONSENT.

BUILDING TYPE:
DAIRY QUEEN GRILL & CHILL
CORE66
STORE No. 45961

DRAWN, CHECKED, & APPROVED BY: ADQ
DESIGN-ARCHITECTURE-CONSTRUCTION
(DAC) DEPARTMENT

THIS IS "PLAN" NORTH
FOR ACTUAL BUILDING
ORIENTATION REFER TO
SITE PLAN (BY OTHERS)

ISSUE DATE: 10/30/2020

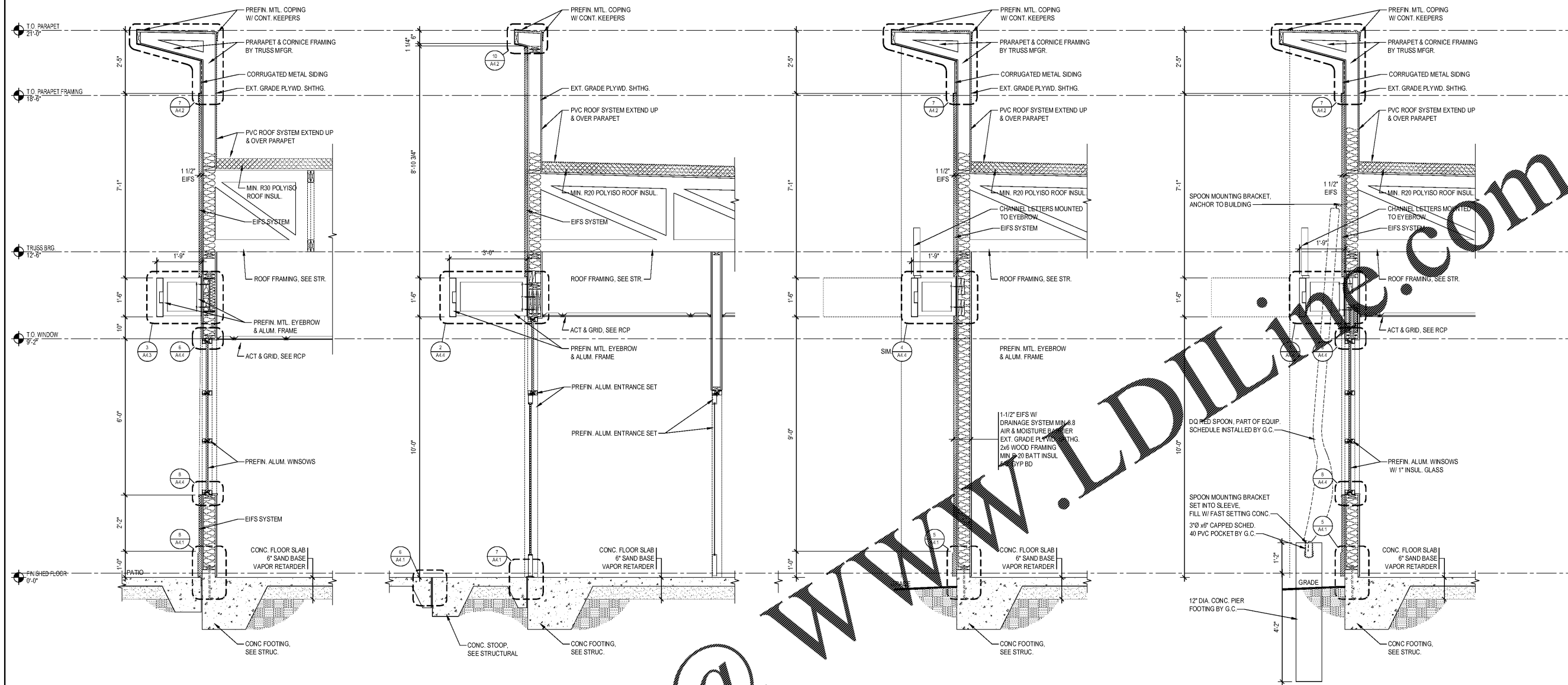
REVISION DATE:
10/30/2020 ISSUE FOR CONSTRUCTION

- ▲
- ▲
- ▲
- ▲
- ▲

WALL SECTIONS & DETAILS

SHEET NUMBER:

A4.1



1 SECTION

A4.1 SCALE: 1/2" = 1'-0"

2 SECTION

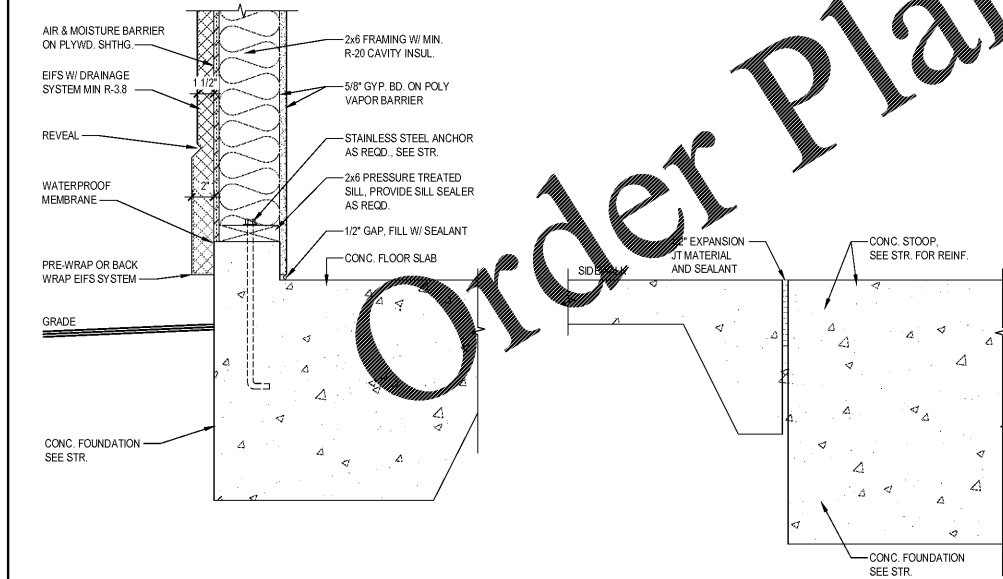
A4.1 SCALE: 1/2" = 1'-0"

3 SECTION

A4.1 SCALE: 1/2" = 1'-0"

4 SECTION

A4.1 SCALE: 1/2" = 1'-0"

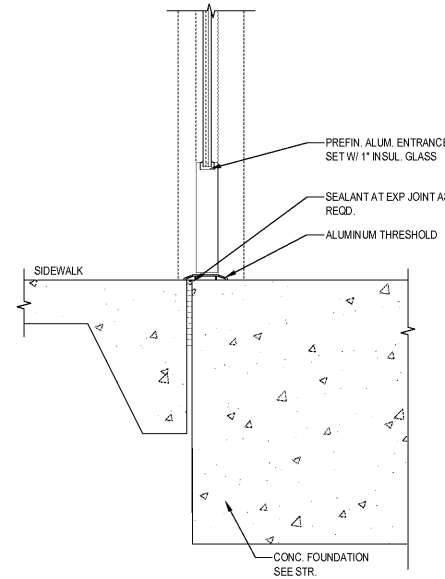


5 FINISH AT GRADE

A4.1 SCALE: 1 1/2" = 1'-0"

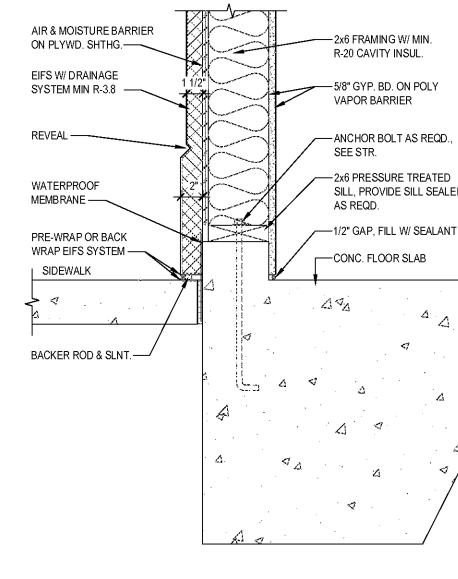
6 CONCRETE STOOP

A4.1 SCALE: 1 1/2" = 1'-0"



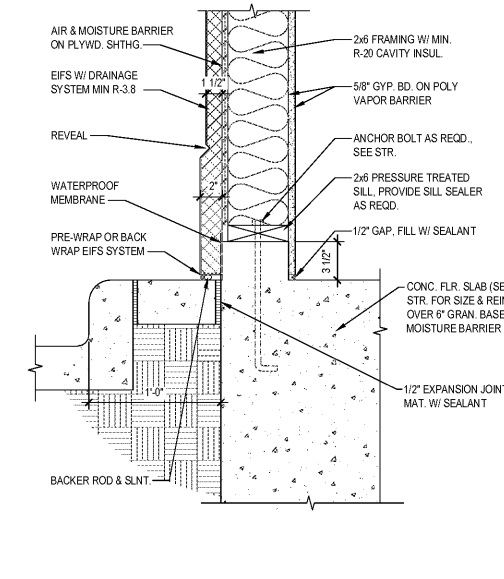
7 DOOR THRESHOLD

A4.1 SCALE: 1 1/2" = 1'-0"



8 WALL FINISH AT SIDEWALK

A4.1 SCALE: 1 1/2" = 1'-0"



9 DRIVE THRU CURB

A4.1 SCALE: 1 1/2" = 1'-0"

Order Plans @

WWW.LDILLINE.COM