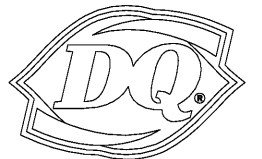


JAMES E. WILKERSON  
A.I.A.

119 East Tallulah Drive  
Greenville, S.C. 29605  
864-370-2582  
864-240-5375 f

FLA REG. AR0015603  
JOB NO. 202016

DQ GRILL & CHILL  
US HWY 90 (LOT 2)  
GLEN ST MARY, FL  
32040



GRILL & CHILL

AMERICAN DAIRY QUEEN  
MINNEAPOLIS, MN U.S.A.

\*REGISTERED U.S. PATENT OFFICE.  
AMERICAN DAIRY QUEEN CORPORATION,  
THIS DRAWING, ITS DESIGN DETAIL AND  
INVENTION ARE THE PROPERTY OF  
AMERICAN DAIRY QUEEN INC. (ADQ) AND  
SHALL NOT BE COPIED IN ANY MANNER  
WITHOUT DISCLOSURE TO ANY  
PARTY WITHOUT ADQ CONSENT.

BUILDING TYPE:  
DAIRY QUEEN GRILL & CHILL  
CORE66  
STORE No. 45961

DRAWN, CHECKED, & APPROVED BY: ADQ  
DESIGN-ARCHITECTURE-CONSTRUCTION  
(DAC) DEPARTMENT

THIS IS "PLAN" NORTH  
FOR ACTUAL BUILDING  
ORIENTATION REFER TO  
SITE PLAN (BY OTHERS)

ISSUE DATE: 10/30/2020

REVISION DATE:  
10/30/2020

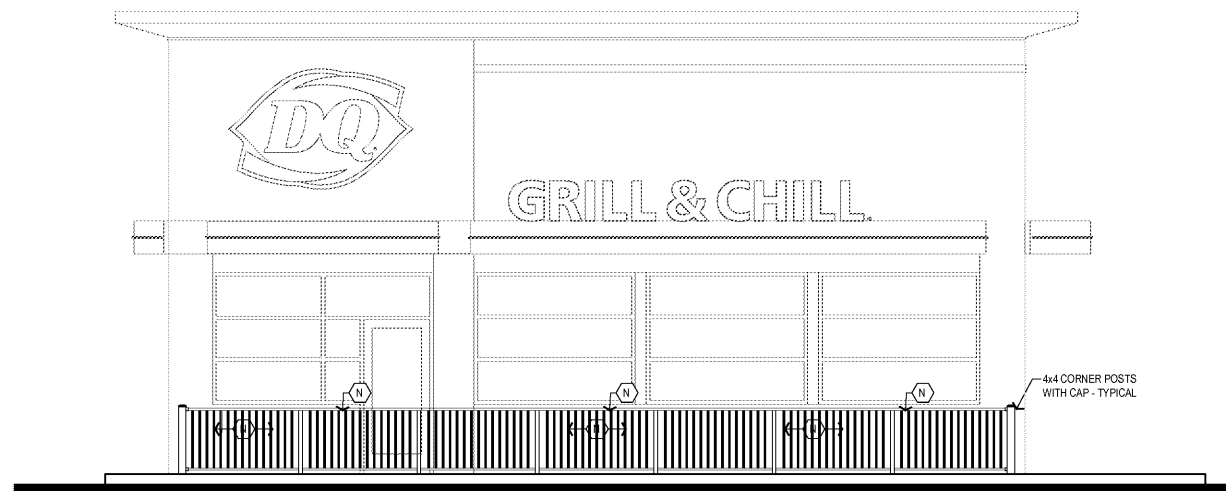
ISSUE FOR CONSTRUCTION

- ▲
- ▲
- ▲
- ▲
- ▲
- ▲
- ▲
- ▲

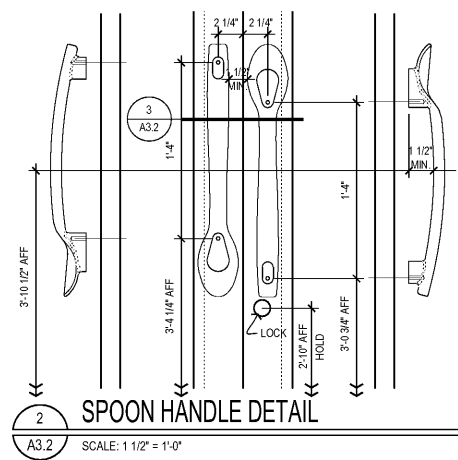
ELEVATIONS,  
DOOR & FRAME  
TYPES

SHEET NUMBER:

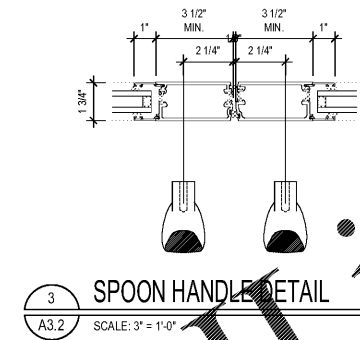
A3.2



1 PATIO FRONT ELEVATION  
A3.2 SCALE: 1/4" = 1'-0"



2 SPOON HANDLE DETAIL  
A3.2 SCALE: 1 1/2" = 1'-0"



3 SPOON HANDLE DETAIL  
A3.2 SCALE: 3" = 1'-0"

EXTERIOR ELEVATION KEYNOTES:

- (A) NOT USED
- (B) EIFS (LIGHT)  
MFR: STO CORPORATION  
COLOR: NA19-0021 (MATCHES BENJAMIN MOORE, TEMPORAL SPIRIT 965)  
FINISH: 310 STO FINE SAND  
NOTE: PROVIDE HIGH IMPACT EIFS FROM GRADE TO 3'-0" A.F.F.
- (C) EIFS (RED)  
MFR: STO CORPORATION  
COLOR: NA19-0022 (MATCHES BENJAMIN MOORE, CALIENTE AF-290)  
FINISH: 1300 STOLIT 1.0D-DARK-GLOSSY  
NOTE: PROVIDE HIGH IMPACT EIFS FROM GRADE TO 3'-0" A.F.F.
- (D) EIFS (DARK)  
MFR: STO CORPORATION  
COLOR: NA19-0023 (MATCHES BENJAMIN MOORE, DEEP CREEK 1477)  
FINISH: 1300 STOLIT 1.0D (FINE SAND)  
NOTE: PROVIDE HIGH IMPACT EIFS FROM GRADE TO 3'-0" A.F.F.
- (E) COPING & SCUPPERS  
MFR: FIRESTONE UNA-CLAD  
MATL: 24 GA. STEEL  
COLOR: SILVER METALLIC  
FINISH: KYNAR 500  
VENDOR: ARCHITECTURAL METALS, SEE NATIONAL VENDORS LIST
- (F) METAL PANEL  
MFR: ALPOLIC  
STYLE: 3MM  
COLOR: DQ (DARK) RED  
NOTE: MUST BE INSTALLED HORIZONTALLY. REFERENCE ARROWS ON BACK OF PANEL MUST BE ALIGNED IN THE SAME DIRECTION.  
VENDOR: ARCHITECTURAL METALS, SEE NATIONAL VENDORS LIST
- (G) METAL EYEBROW, OUTRIGGERS, & FLASHINGS  
MFR: FIRESTONE UNA-CLAD  
MATL: .040 ALUMINUM  
COLOR: EXTRA DARK BRONZE  
FINISH: KYNAR 500  
VENDOR: ARCHITECTURAL METALS, SEE NATIONAL VENDORS LIST
- (H) EIFS (BLUE)  
MFR: STO CORPORATION  
COLOR: NA19-0024 (MATCHES BENJAMIN MOORE, BIG COUNTRY BLUE #2895-30)  
FINISH: 1300 STOLIT 1.0 (FINE SAND)  
NOTE: PROVIDE HIGH IMPACT EIFS FROM GRADE TO 3'-0" A.F.F.
- (I) STOREFRONT  
MFR: YKK AP AMERICA INC.  
STYLE: 2 1/2" x 5"  
FINISH: DARK BRONZE  
GLAZING: CLEAR, 1" IMPACT RESISTANT, LOW E
- (L) EIFS (MEDIUM)  
MFR: STO CORPORATION  
COLOR: NA20-0019 (MATCHES BENJAMIN MOORE, WILLOW CREEK #1468)  
FINISH: 310 STO (FINE SAND)  
NOTE: PROVIDE HIGH IMPACT EIFS FROM GRADE TO 3'-0" A.F.F.
- (M) CORRUGATED METAL  
MFR: METAL SALES MANUFACTURING CORPORATION  
MATL: 7/8" CORRUGATED 24 GA. STEEL  
COLOR: ACRYLIC COATED GALVALUME  
VENDOR: ARCHITECTURAL METALS, SEE NATIONAL VENDORS LIST
- (N) METAL EYEBROW, OUTRIGGERS, & FLASHINGS  
MFR: FIRESTONE UNA-CLAD  
MATL: .040 ALUMINUM  
COLOR: CLEAR ANODIZED  
FINISH: SATIN  
VENDOR: ARCHITECTURAL METALS, SEE NATIONAL VENDORS LIST
- (O) TRASH ENCLOSURE PAINT  
MFR: BENJAMIN MOORE  
COLOR: DEEP CREEK 1477  
PRODUCT: AURA EXTERIOR PAINT, EGG SHELL LOW LUSTRE #634  
PRIMER: FIRST COAT - AURA EXTERIOR PAINT

OPENING SCHEDULE

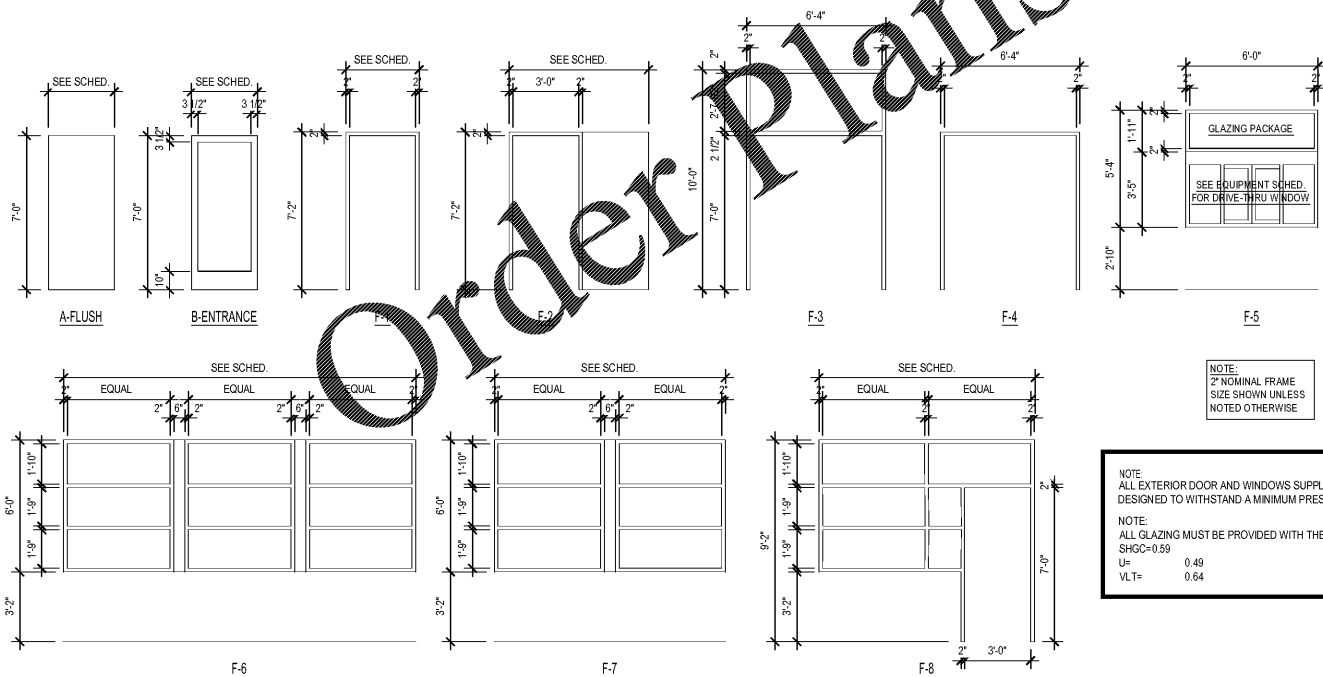
NATIONAL ACCOUNT DOOR AND FRAME SUPPLIER (PLAM, WOOD AND H.M.)  
HAMILTON PARKER, SEE NATIONAL VENDORS LIST

OPNG. NO.	OPENING LOCATION	SIZE	FRAME TYPE	MATERIAL	FINISH	DOOR TYPE	MATERIAL	FINISH	FIRE RATING	HARDWARE GROUP	NOTES:
100A	VESTIBULE (EXT.)	6'-5" x 10'-0" x 4 1/2"	F-3	ALUM	DK BRZ	B	ALUM.	DK BRZ	-	E1	SEE 3/3.2 & 4/A3.2 FOR DOOR HANDLE INSTALLATION
100C	VESTIBULE (INT.)	7'-2" x 4 1/2"	F-4	ALUM	DK BRZ	B	ALUM.	DK BRZ	-	E2	MOUNT BOTTOM OF DOOR FRAME LEVEL W/ TOP OF FLOOR TILE
101	DINING ROOM	11'-2" x 6'-0" x 4 1/2"	F-7	ALUM	DK BRZ	-	-	-	-	-	-
102	DINING ROOM	16'-8" x 6'-0" x 4 1/2"	F-7	ALUM	DK BRZ	-	-	-	-	-	-
103	DINING ROOM	22'-11 1/2" x 6'-0" x 4 1/2"	F-6	ALUM	DK BRZ	-	-	-	-	-	-
104	PATIO	10'-0" x 9'-2" x 4 1/2"	F-8	ALUM	DK BRZ	B	ALUM.	DK BRZ	-	E3	SEE 3/3.2 & 4/A3.2 FOR DOOR HANDLE INSTALLATION
105	DINING ROOM	11'-2" x 6'-0" x 4 1/2"	F-7	ALUM	DK BRZ	-	-	-	-	-	-
102	WOMENS	3'-4" x 7'-2" x 5 3/4"	F-1	HM	PNT	A	PC	-	-	R2	UNDERCUT BY 1" - PLAM: FORMICA MOUSE 928-58
103	MENS	3'-4" x 7'-2" x 5 3/4"	F-1	HM	PNT	A	PC	-	-	R2	UNDERCUT BY 1" - PLAM: FORMICA MOUSE 928-58
105	DRIVE THRU	6'-0" x 5'-4" x 4 1/2"	F-5	ALUM	DK BRZ	-	-	-	-	-	-
107	SERVICE	3'-10" x 7'-2" x 5 3/4"	F-1	HM	PNT	A	MTL	-	-	-	-
109	OFFICE	6'-4" x 7'-2" x 5 3/4" POCKET DOOR	F-2	HM	PNT	A	PC	-	-	O	UNDERCUT BY 1" - PLAM: FORMICA MOUSE 928-58

- NOTES:  
1. PARTICLE CORE DOORS: SIZE AS PER PLAN AND SCHEDULE. ALL EDGES/SURFACES TO BE COVERED WITH PLASTIC LAMINATE.  
2. HOLLOW METAL DOORS: SIZE AS PER PLAN AND SCHEDULE. (HOT ROLLED LEVEL 2 MODEL 2) STEEL TO BE 18 GA., INTERIOR TO BE FOAM INSULATION, WITH INTEGRAL REINFORCEMENT FOR CLOSURE AND PANIC HARDWARE.  
3. GLAZING (TYPICAL AT ALL EXTERIOR): CLEAR, 1" INSULATING, LOW E CLEAR  
4. GLAZING (TYPICAL AT ALL INTERIOR): CLEAR, 1/4" TEMPERED CLEAR
- ALUM = ALUMINUM  
HM = HOLLOW METAL  
PC = PARTICLE CORE  
DK BRZ = ANODIZED ALUMINUM STATUTORY DARK BRONZE FINISH  
CLR = ANODIZED ALUMINUM CLEAR FINISH  
PNT = SEE INTERIOR ELEVATIONS AND FINISH SCHEDULE FOR COLOR

HARDWARE GROUPS

- NATIONAL ACCOUNT DOOR AND FRAME SUPPLIER (PLAM, WOOD AND H.M.)  
HAMILTON PARKER, SEE NATIONAL VENDORS LIST
- GROUP #E1: TYPICAL EXTERIOR VESTIBULE DOORS  
• CLOSER: HAGER MFG. MODEL #6200 SPR CSH CLOSER.  
• HINGES: HAGER MFG. MDL #861199 32DB WITH NON-REMOVABLE PINS, 4.5" X 4.5" X 0.180" THK. (4) HINGES PER LEAF.  
• KEYS PER LEAF: HAGER MFG. MDL #3902 MORTISE CYLINDER, PROVIDE (2) KEYS PER DOOR, ALL CYLINDERS KEYS ALIKE. (MOUNTED AT 34" AFF. COORDINATE W/ SPOON HANDLE).  
• SPOON HANDLE (PROVIDED & INSTALLED BY ALUM. STOREFRONT CONTRACTOR, AVAILABLE FROM H.C. SEE ADQ NATIONAL VENDORS LIST).  
• PUSH BAR: HAGER MFG. 130S  
• SWEEP: HAGER MFG. MDL #801SB, MIL ALUM FINISH, SIZED TO FIT DOOR WIDTH.  
• THRESHOLD: HAGER MFG. MDL #412S, MIL ALUM FINISH, SIZED TO FIT DOOR OPENING WIDTH.  
• WEATHERSTRIPPING:  
• GROUP #E1: TYPICAL REAR SERVICE DOOR  
• CLOSER: HAGER MFG. MODEL #6200 SPR CSH CLOSER.  
• EXIT DEVICE: HAGER MFG. MDL #4701 RIM US28, SPRAYED ALUMINUM FINISH.  
• HINGE(S): HAGER MFG. MDL #861199 32DB WITH NON-REMOVABLE HINGE PINS, 4.5" X 4.5" X 0.180" THK. (4) HINGES PER LEAF.  
• KICK PLATE: HAGER MFG. MDL #808M PLATE, 40"W X 20"H X 0.05" THK.  
• PROTECTOR TRIM: HAGER MFG. MDL #402250  
• PULL: HAGER MFG. MDL #4132D, (EXTERIOR SIDE OF DOOR).  
• SWEEP: HAGER MFG. MDL #801S V, MIL ALUM FINISH, SIZED TO FIT DOOR WIDTH.  
• THRESHOLD: HAGER MFG. MDL #412S, MIL ALUM FINISH, SIZED TO FIT DOOR OPENING WIDTH.  
• VIEWER: HAGER MFG., 1756 US260, 200 DEG VIEW (FACTORY INSTALLED).  
• WEATHERSTRIPPING: HAGER MFG. MDL #801S V, MIL ALUM FINISH, SIZED TO FIT DOOR.  
• EXIT ALARM: EAX BATTERY POWERED DOOR MOUNTED WEATHERIZED EXIT ALARM, EAX-500W
- GROUP #E2: TYPICAL INTERIOR VESTIBULE DOORS  
• CLOSER: HAGER MFG. MODEL #6200 SPR CSH CLOSER.  
• HINGES: HAGER MFG. MDL #861199 32DB WITH NON-REMOVABLE HINGE PINS, 4.5" X 4.5" X 0.180" THK. (4) HINGES PER LEAF.  
• PUSH/PULL: HAGER MFG. MDL #159D LH COMBO 32DB, & MDL #159D RH COMBO 32DB.  
• FLOOR STOP: HAGER 241F 26D DOME LOW STOP, (1) PER LEAF
- GROUP #R1: TYPICAL RESTROOM DOOR  
• CLOSER: HAGER MFG. MODEL #6200 SPR CSH CLOSER.  
• HINGES: HAGER MFG. MDL #861199 32DB WITH NON-REMOVABLE HINGE PINS, 4.5" X 4.5" X 0.180" THK. (4) HINGES PER LEAF.  
• KICK PLATE: HAGER MFG. MDL #190S 18 Ga 34"W X 10"H X 0.05" THK. (MOUNTING HOLES PREDRILLED AT FACTORY, INSTALLED ON PUSH SIDE OF DOOR).  
• STOP DOOR: HAGER MFG. MDL #232W 32D, BRUSHED CHROME, 2 1/2" DIA. WALL MOUNT.  
• 4x16 PUSH PLATE  
• PULL HANDLE: HAGER 3E320
- GROUP #O1: TYPICAL OFFICE POCKET DOOR  
• H.M. POCKET DOOR FRAME: KARPEN STEEL CUPK0003  
• BACK TO BACK PULL: HAGER 14J 10" 32D  
• TRACK SYSTEM: HAGER 9878-72  
• MORTISE LOCK: HAGER 383S US28D CYLINDER X THUMB TURN  
• DOOR STOP: HAGER 249F US2C #011616



NOTE:  
ALL EXTERIOR DOOR AND WINDOWS SUPPLIED FOR THIS PROJECT MUST BE DESIGNED TO WITHSTAND A MINIMUM PRESSURE OF -31.8 PSF / +24.3 PSF

NOTE:  
ALL GLAZING MUST BE PROVIDED WITH THE FOLLOWING CHARACTERISTICS:  
SHGC=0.59  
U= 0.49  
VLT= 0.64