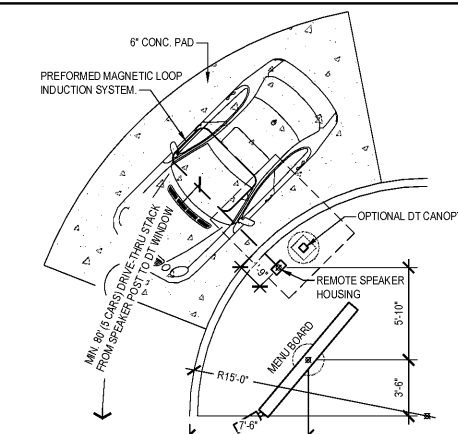
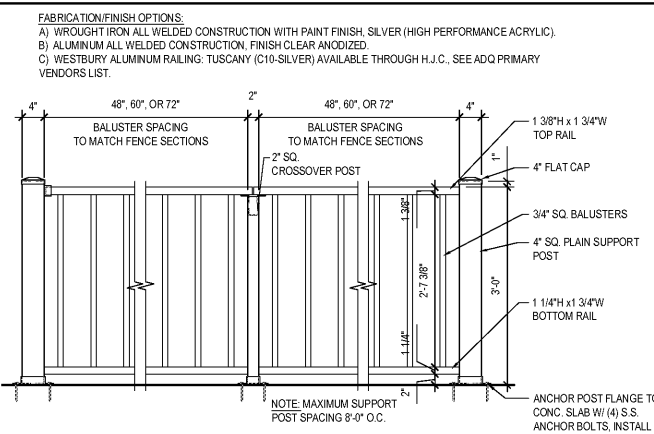


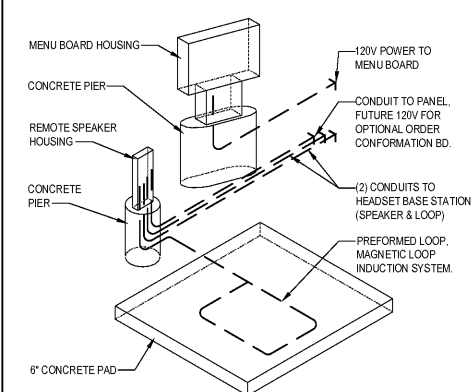
1 INDUCTION LOOP SECTION  
A1.2 N.T.S.



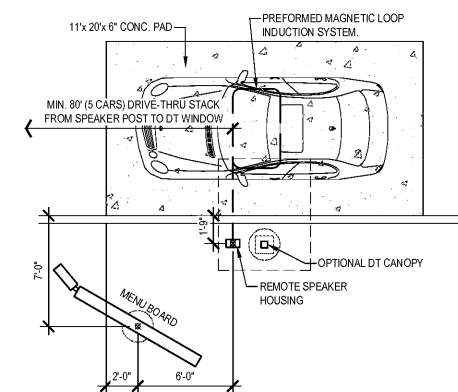
2 MENU BOARD LOCATION  
A1.2 N.T.S.



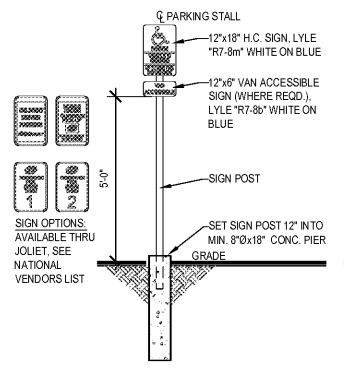
5 PATIO FENCE  
A1.2 SCALE: 3/8\"/>



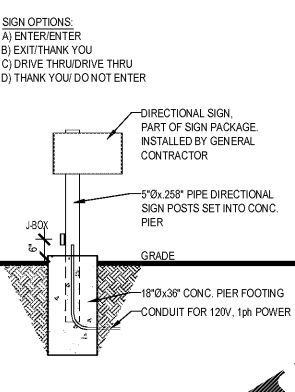
3 INDUCTION LOOP ISOMETRIC  
A1.2 N.T.S.



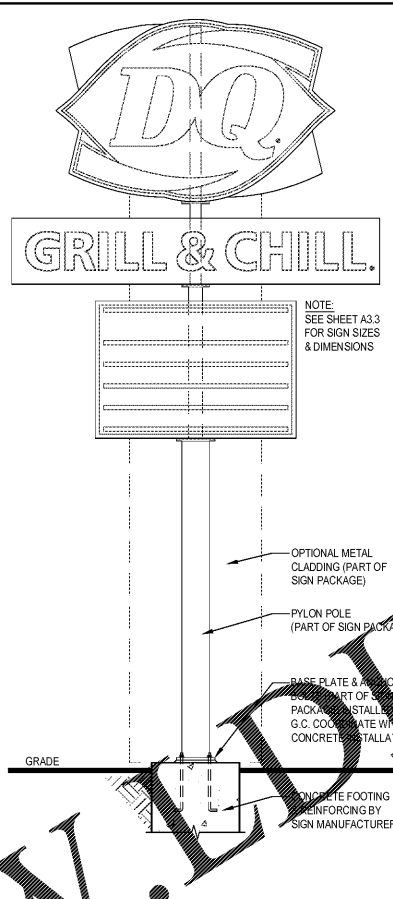
4 MENU BOARD LOCATION  
A1.2 N.T.S.



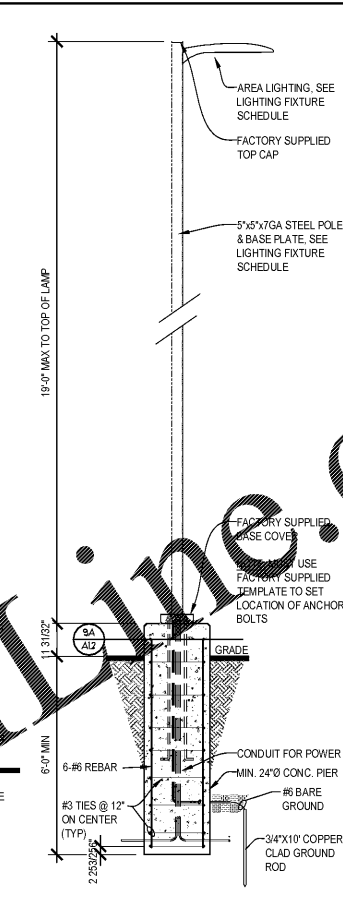
6 PARKING SIGNS  
A1.2 SCALE: 3/8\"/>



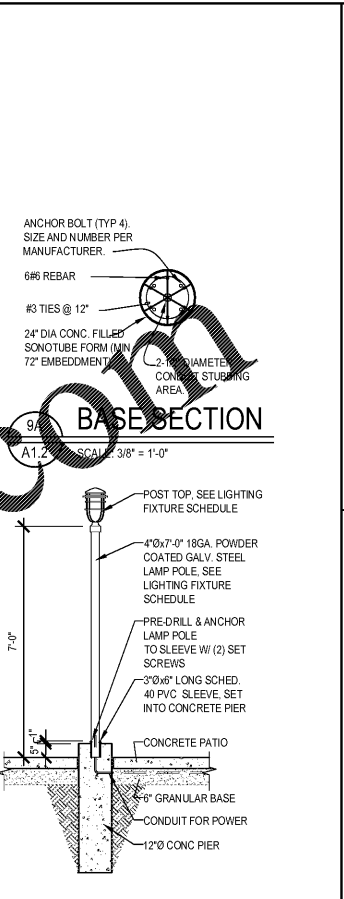
7 SITE DIRECTIONAL  
A1.2 SCALE: 3/8\"/>



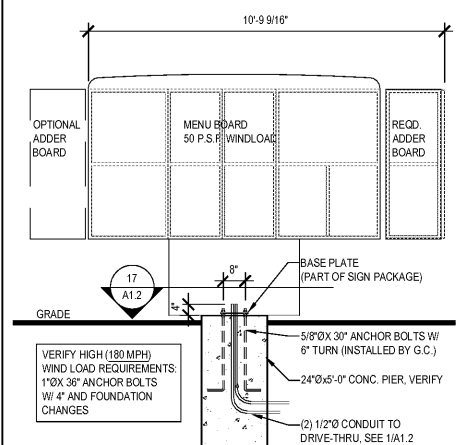
8 PYLON SIGN  
A1.2 SCALE: 3/8\"/>



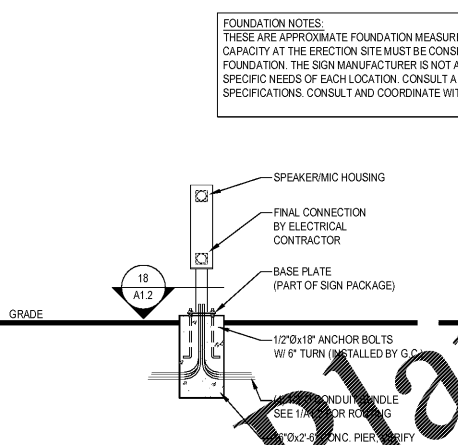
9 LIGHT POLE  
A1.2 SCALE: 3/8\"/>



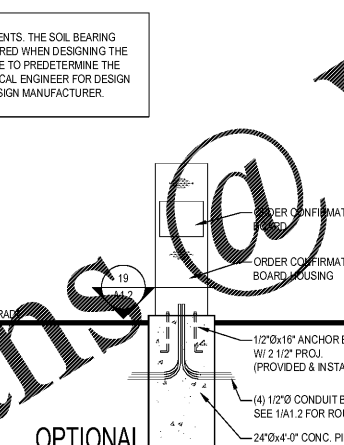
10 PATIO LIGHT  
A1.2 SCALE: 3/8\"/>



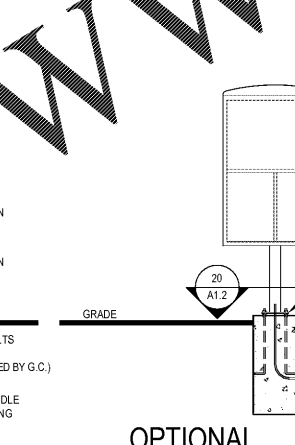
11 MENU BOARD SECTION  
A1.2 SCALE: 3/8\"/>



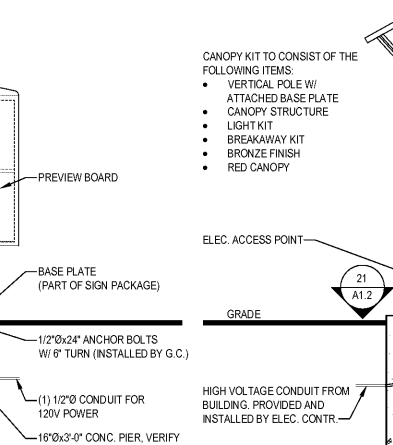
12 SPEAKER SECTION  
A1.2 SCALE: 3/8\"/>



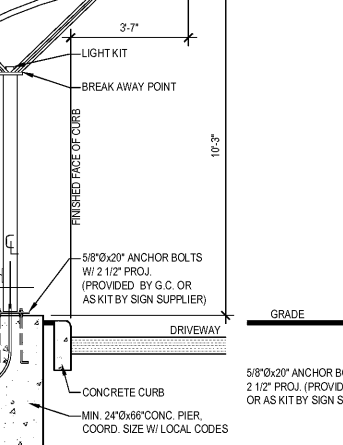
13 OPTIONAL CONFIRMATION BD. SECT.  
A1.2 SCALE: 3/8\"/>



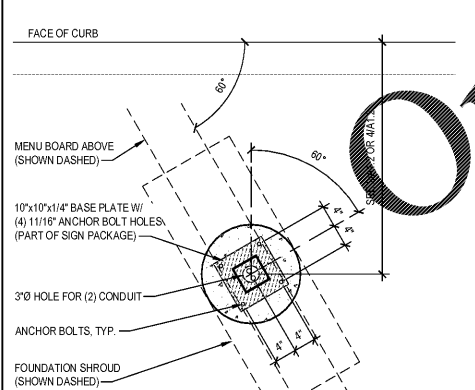
14 OPTIONAL PREVIEW BD. SECT.  
A1.2 SCALE: 3/8\"/>



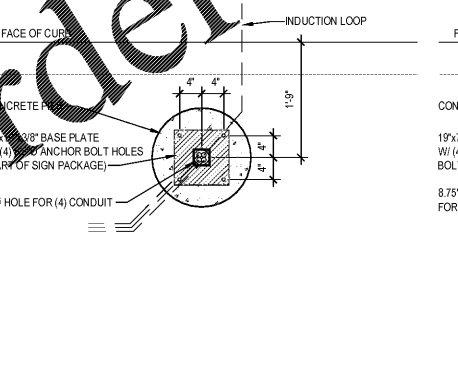
15 DT CANOPY SECTION  
A1.2 SCALE: 3/8\"/>



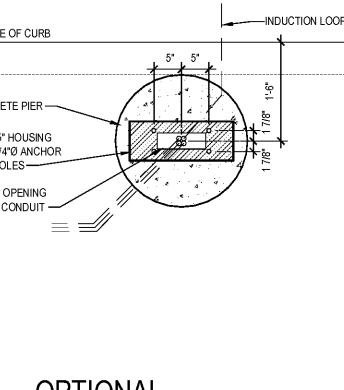
16 CLEARANCE SIGN SECTION  
A1.2 SCALE: 3/8\"/>



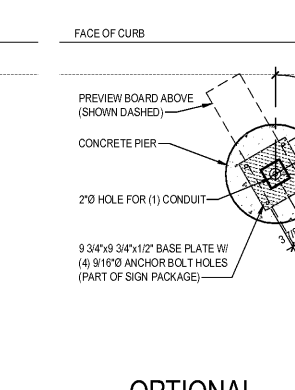
17 MENU BOARD SECTION  
A1.2 SCALE: 3/4\"/>



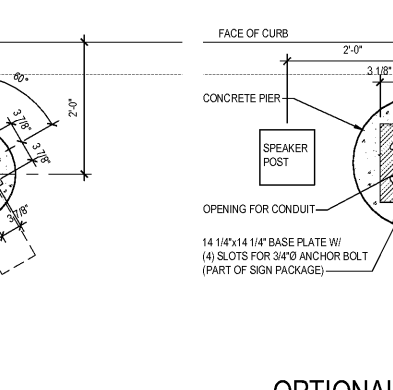
18 SPEAKER SECTION  
A1.2 SCALE: 3/8\"/>



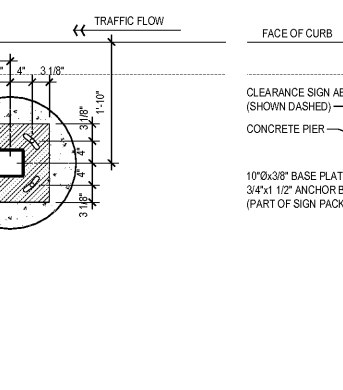
19 OPTIONAL CONFIRMATION BD. SECTION  
A1.2 SCALE: 3/8\"/>



20 OPTIONAL PREVIEW BOARD SECTION  
A1.2 SCALE: 3/8\"/>



21 OPTIONAL DT CANOPY SECTION  
A1.2 SCALE: 3/8\"/>



22 CLEARANCE SIGN SECTION  
A1.2 SCALE: 3/8\"/>

FOUNDATION NOTES:  
THESE ARE APPROXIMATE FOUNDATION MEASUREMENTS. THE SOIL BEARING CAPACITY AT THE ERECTION SITE MUST BE CONSIDERED WHEN DESIGNING THE FOUNDATION. THE SIGN MANUFACTURER IS NOT ABLE TO PREDETERMINE THE SPECIFIC NEEDS OF EACH LOCATION. CONSULT A LOCAL ENGINEER FOR DESIGN SPECIFICATIONS. CONSULT AND COORDINATE WITH SIGN MANUFACTURER.

Order Plans @ WWW.LDMLINE.COM

**JAMES E. WILKERSON**  
A.I.A.  
119 East Tallulah Drive  
Greenville, S.C. 29605  
864-370-2582  
864-240-5375 f

FLA REG. AR0015603  
JOB NO. 202016

DQ GRILL & CHILL  
US HWY 90 (LOT 2)  
GLEN ST MARY, FL  
32040

**DQ GRILL & CHILL**  
AMERICAN DAIRY QUEEN  
MINNEAPOLIS, MN U.S.A.

\*REGISTERED U.S. PATENT OFFICE.  
AMERICAN DAIRY QUEEN CORPORATION.  
THIS DRAWING, ITS DESIGN DETAIL AND  
INVENTION ARE THE PROPERTY OF  
AMERICAN DAIRY QUEEN INC. (ADQ) AND  
SHALL NOT BE COPIED IN ANY MANNER  
OR DISCLOSED TO ANY OUTSIDE  
PARTY WITHOUT ADQ CONSENT.

**BUILDING TYPE:**  
DAIRY QUEEN GRILL & CHILL  
**CORE66**  
STORE No. 45961

DRAWN, CHECKED, & APPROVED BY: ADQ  
DESIGN-ARCHITECTURE-CONSTRUCTION  
(DAC) DEPARTMENT

THIS IS "PLAN" NORTH  
FOR ACTUAL BUILDING  
ORIENTATION REFER TO  
SITE PLAN (BY OTHERS)

ISSUE DATE: 10/30/2020

REVISION DATE:

10/30/2020	ISSUE FOR CONSTRUCTION

**SITE EQUIPMENT  
DETAILS**

SHEET NUMBER:  
**A1.2**