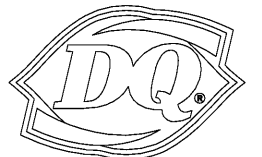


JAMES E. WILKERSON
A.I.A.

119 East Tallulah Drive
Greenville, S.C. 29605
864-370-2582
864-240-5375 f

FLA REG. AR0015603
JOB NO. 202016

DQ GRILL & CHILL
US HWY 90 (LOT 2)
GLEN ST MARY, FL
32040



GRILL & CHILL

AMERICAN DAIRY QUEEN
MINNEAPOLIS, MN U.S.A.

*REGISTERED U.S. PATENT OFFICE.
AMERICAN DAIRY QUEEN CORPORATION.
THIS DRAWING, ITS DESIGN DETAIL AND
INVENTION ARE THE PROPERTY OF
AMERICAN DAIRY QUEEN INC. (ADQ) AND
SHALL NOT BE COPIED IN ANY MANNER
NOR DISCLOSED TO ANY OUTSIDE
PARTY WITHOUT ADQ CONSENT.

BUILDING TYPE:
DAIRY QUEEN GRILL & CHILL
CORE66
STORE No. 45461

DRAWN, CHECKED, & APPROVED BY: ADQ
DESIGN-ARCHITECTURE-CONSTRUCTION
(DAC) DEPARTMENT

THIS IS "PLAN" NORTH
FOR ACTUAL BUILDING
ORIENTATION REFER TO
SITE PLAN (BY OTHERS)

ISSUE DATE: 10/30/2020

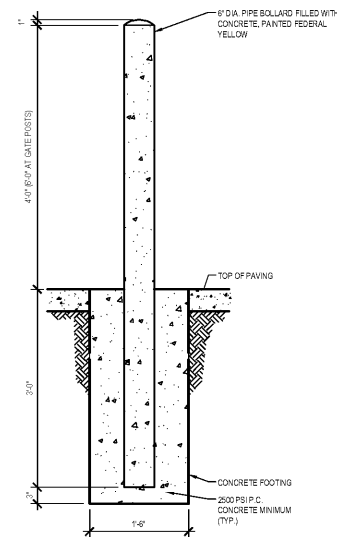
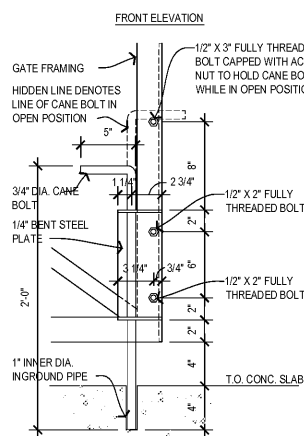
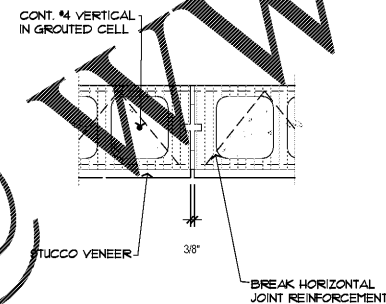
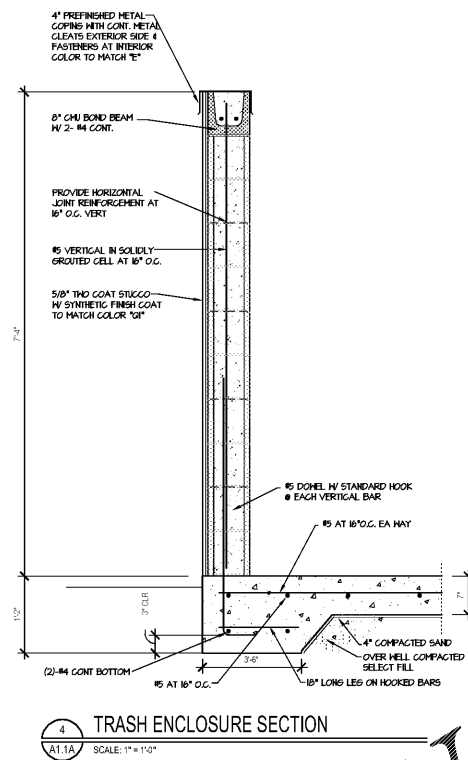
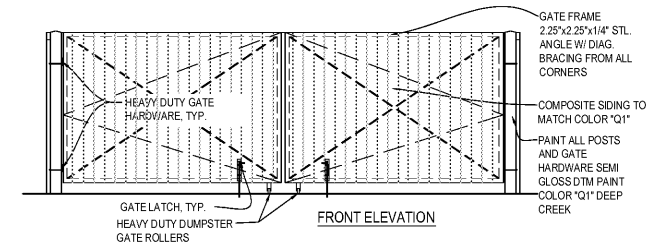
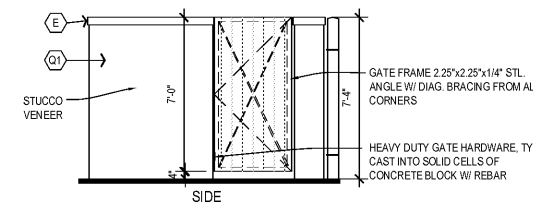
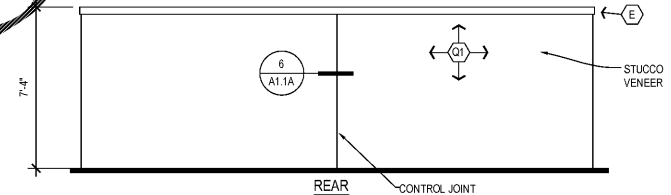
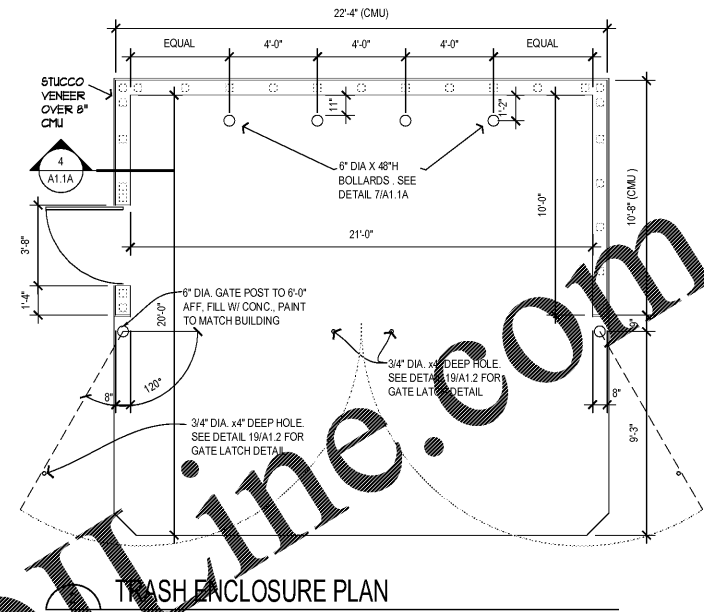
REVISION DATE:

10/30/2020 ISSUE FOR CONSTRUCTION

TRASH ENCLOSURE DETAILS

SHEET NUMBER:

A1.1A



DESIGN CODES
Sixth Edition Florida Building Code 2017 International Building Code 2015 w/ Amendments
American National Standards Institute/American Society of Civil Engineers - (ANSI/ASCE 7 - 10)
American Concrete Institute (ACI 318 - 2014)
National Concrete Masonry Association (MSJ/ACI 530 - 2013)
American Institute of Timber Construction Manual (5th ed.)
National Design Specifications for Wood Construction (NDS - 2015)
American National Standards Institute/Truss Plate Institute (ANSI/TPI 1-2014)

DESIGN LOADS
Wind
119 mph (Ultimate, 3 second gust)
92.2 mph (ASD, 3 second gust)
Exposure B, I = 1.0
Adjustment Factor, A = 1.0
Gcpl = ±0.18
Risk Category: II
Components and Cladding Prescribed (Ultimate)
Zone 1 (100 sf) = +16 psf, -23.3 psf
Zone 2 (1100 sf) = +16 psf, -27.6 psf
Zone 3 (1000 sf) = +16 psf, -27.6 psf
Zone 4 (20 sf) = +4.3 psf, -26.5 psf
Zone 5 (20 sf) = +4.3 psf, -31.8 psf

Seismic
Risk Category II
Importance Factor, Ie = 1.0
S_s = 0.106g
S₁ = 0.059g
Site Class = D
Soq = 0.115g
S_{d1} = 0.092g
Design Category = B
Basic System = Bearing Wall Systems
Resisting System = Light Framed Wood Walls Sheathed w/ Wood Structural Panels
Base Shear = Cs x W = 2.5 Kips (U.L.T.)
Cs = 0.017 R = 6.5
Analysis Procedure = Equivalent Lateral Force
Basic/Resisting System = Structural Steel System Not Specifically Detailed For Seismic

Order Plans @

WWW.LDOnline.com