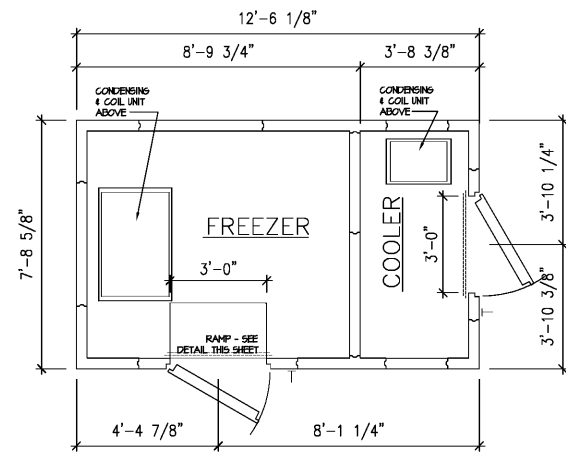
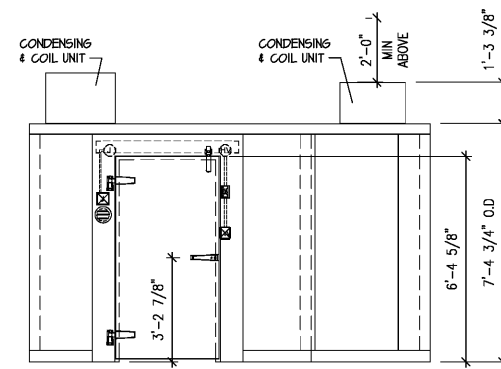


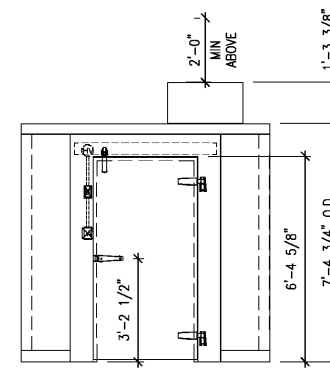
NSF LABEL
 N.S.F. LISTED (STD #7)
 N.S.F. GASKET @ ALL PANEL JOINTS



PLAN VIEW



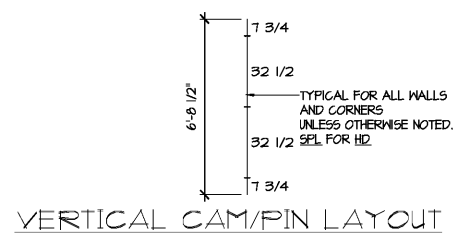
FRONT ELEVATION



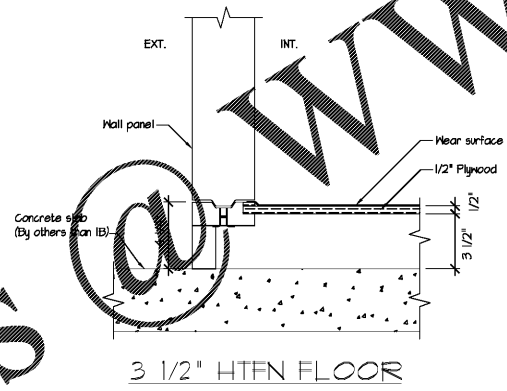
SIDE ELEVATION

Allow 2 feet clearance above refig. unit to remove top panel and to allow service access.

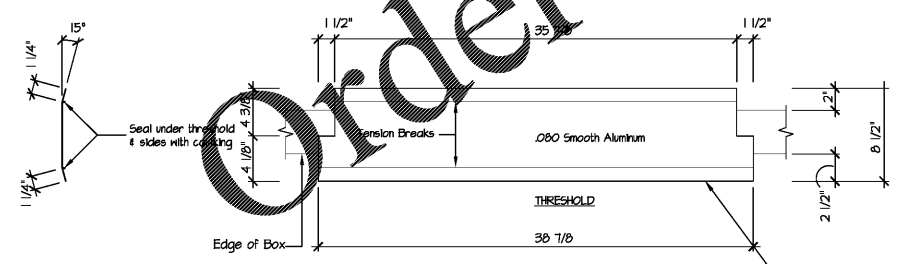
NOTE:
 Packaged refrigeration systems need proper ventilation to operate correctly. A minimum of 1,000 cfm per compressor horsepower of make up air and exhaust air is required for proper cooling. Failing to provide adequate ventilation can cause premature compressor failure and may void compressor warranty. Contact manufacturer for additional details.



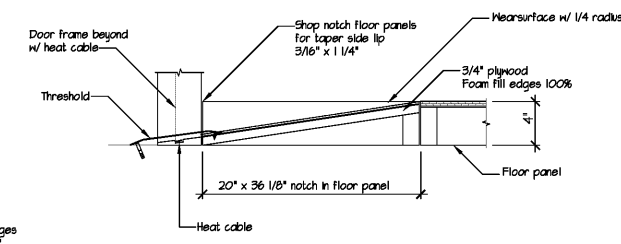
VERTICAL CAM/PIN LAYOUT



3 1/2" HTFN FLOOR



24" DEEP INTERIOR RAMP DETAIL



TAPERED THERMOLITE

NOTE: Fill all voids solid below threshold w/ urethane foam or grout.
NOTE: Due to construction variables seal threshold/jamb joint w/ silicone.
NOTE: Raise door leaf 1/4" for sloped ramp sill

SPECIFICATIONS
 Indoor freezer (with floor)
 Vinyl NSF gasket (1/16" joint thickness), Cam-lock layout SNI

SPECIAL INSTRUCTIONS
 Standard crating

MALL PANELS
 Construction: 4" urethane
 Exterior Finish: Stucco galvalume
 Interior Finish: Stucco galvalume
 Ceiling connections: Camlock
 Floor connections: Camlock

CEILING PANELS
 Construction: 4" high density urethane
 Exterior Finish: Metal
 Interior Finish: Stucco galvalume
 Ceiling Caps: Factory mounted
 Live Load: 10 psf

FLOOR PANELS
 Model: Hand-Truck Floor panels model #HTFN (NSF)
 Construction: 3 1/2" high density urethane
 w/ .063 aluminum diamond tread (low profile) @ interior
 over 1/2" plywood
 w/ Metal @ exterior

DOORS
 (A): 36" x 75 1/4" flush model 63 self-closing freezer door
 *** ELECTRICAL COMPONENTS PRE-WIRED ***
 Frame: 4" high density urethane
 w/ Stucco galvalume both sides
 w/ 24 ga. stainless steel 150 (magnetic liners)
 w/ 4-sided stainless steel frame (32-4-116N)
 (24" x 24" side laps/magnetic clims) @ 4.7 watts/ft + Pept - 120V, 1A)
 Leaf: Stucco galvalume both sides
 w/ magnetic gasket
 (2) Compact Hardware #W54 spring assisted adjustable hinge
 (1) Kason #101 handle only
 (1) Kason #104 hydraulic door closer
 (1) Nelson XMAIV temperature monitor w/ external buzzer
 (2) Terminal J-box @ int.
 (1) Kason 1032 heated air vent (23W, 120V, 2A)
 (1) .080 smooth aluminum threshold for interior ramp

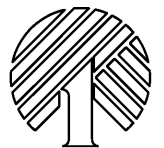
REFRIGERATION
 (1) ea. Freezer - Indoor R404a self-contained system
 1054 BTU/H @ 10°F TD with 14.1 hr runtime @ -10°F inside/45°F outside room
 45°F @ cond. unit, 1284ft. altitude
 (1) Climate Control R404a air cooled self contained unit #PTN052L6BE
 208-230V/1A/60Hz/3HP Pro3 compressor
 MCA=24, MOPD=30
 42H x 52D x 19H x 280lbs.
 Opening: 25W x 38.5D

NOTES
 Meets 2009 Federal Energy Independence and Security Act Requirements.

STANDARD NOTES
 1. To prevent condensation, a minimum 2" from the walk-in exterior surface is required. High humidity conditions may require force ventilation in addition to clearance.
 2. Installation site floor must be true and level within 3/16" per 10' or additional costs may be incurred.
 3. Imperial Brown's sliding and vertical lift doors shall not be considered means of egress. Check code egress requirements for your application.

ELECTRICAL
 Field electrician to verify maximum acceptable load for light switches. If load is too high, then relay type controls should be used.
 After wiring devices, ALL conduits must be sealed to stop moisture transfer through electrical raceways.
 Failure to seal device per NEC codes WILL VOID WARRANTY.

REVISIONS
 01 05/22/2014 process order



FOR REFERENCE ONLY

DOLLAR TREE
 WALK-IN UNITS DETAILS AND SPECIFICATIONS

project drawing

sheet DS2

FOR REFERENCE ONLY