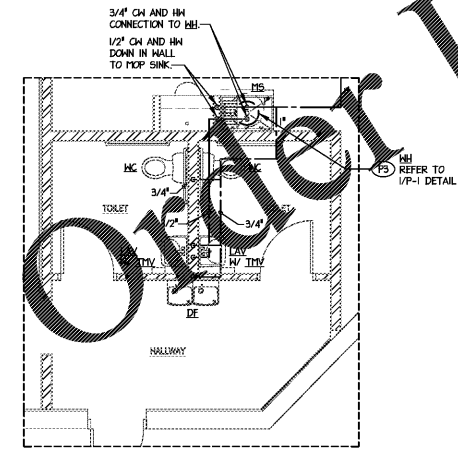


- DEMOLITION KEYED NOTES**
- (D1) REMOVE EXISTING TOILET AND ALL ASSOCIATED WATER, WASTE AND VENT PIPING BACK TO CONNECTION WITH MAIN PLUMBING LINES AND CAP OFF. NO SANITARY WASTE DEAD END PIPING IS ALLOWED.
 - (D2) REMOVE EXISTING HALL HUNG LAVATORY AND ALL ASSOCIATED WATER, WASTE AND VENT PIPING BACK TO CONNECTION WITH MAIN PLUMBING LINES AND CAP OFF. NO SANITARY WASTE DEAD END PIPING IS ALLOWED.
 - (D3) REMOVE EXISTING DRINKING FOUNTAIN AND ALL ASSOCIATED WATER, WASTE AND VENT PIPING BACK TO CONNECTION WITH MAIN PLUMBING LINES AND CAP OFF. NO SANITARY WASTE DEAD END PIPING IS ALLOWED.
 - (D4) REMOVE EXISTING POP SINK AND ALL ASSOCIATED WATER, WASTE AND VENT PIPING BACK TO CONNECTION WITH MAIN PLUMBING LINES AND CAP OFF. NO SANITARY WASTE DEAD END PIPING IS ALLOWED.
 - (D5) REMOVE EXISTING URINAL AND ALL ASSOCIATED WATER, WASTE AND VENT PIPING BACK TO CONNECTION WITH MAIN PLUMBING LINES AND CAP OFF. NO SANITARY WASTE DEAD END PIPING IS ALLOWED.
 - (D6) REMOVE EXISTING WATER HEATER ABOVE CEILING AND ALL ASSOCIATED WATER, WASTE AND VENT PIPING BACK TO CONNECTION WITH MAIN PLUMBING LINES AND CAP OFF.
- PLUMBING KEYED NOTES**
- (P1) ASSURED LOCATION OF EXISTING SANITARY WASTE LINE BASED ON EXISTING PLUMBING SURVEY. EC SHALL FIELD VERIFY EXACT LOCATION OF EXISTING LINE, SIZE OF EXISTING LINE, FLOW DIRECTION, TIE-IN POINT AND INVERT PRIOR TO BEGINNING CONSTRUCTION AND NOTIFY FAMILY DOLLAR CONSTRUCTION PROJECT MANAGER IMMEDIATELY OF ANY ISSUES. ALTERNATE TIE-IN LOCATIONS ARE ACCEPTABLE.
 - (P2) EXISTING 1-1/2" DOMESTIC SERVICE TO DOMESTIC WATER RISER INSIDE WITH SHUT-OFF VALVE AND PRESSURE REDUCING VALVE IN VERTICAL RISE. CONNECT NEW 1" WATER PIPING INTO EXISTING DOMESTIC WATER RISER.
 - (P3) LOCATE ELECTRIC WATER HEATER ABOVE POP SINK WITH 6" CLEARANCE TO BOTTOM OF WATER HEATER SUPPORT FLOOR.
 - (P4) MAINTAIN COLD WATER CONNECTION TO EXISTING EXTERIOR ROSE BUT VERIFY HOSEBIB IS IN GOOD OPERATING CONDITION AND REPLACE IF NECESSARY.

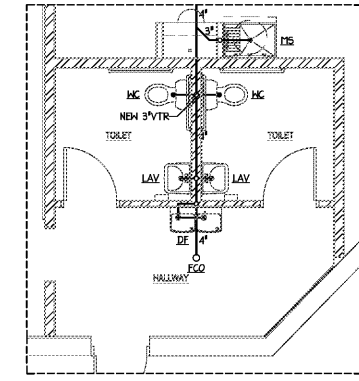
PLUMBING LEGEND

---	DOMESTIC COLD WATER PIPING
---(E)---	EXIST. DOMESTIC COLD WATER PIPING
---	DOMESTIC HOT WATER PIPING
---	VENT PIPING
---(E)---	EXIST. VENT PIPING
---	WASTE (SANITARY SEWER)
---(E)---	EXIST. WASTE (SANITARY SEWER)
PH	PUMP WASTE (PW)
+	FULL PORT SHUT-OFF VALVE
+	CHECK VALVE
○	PIPE UP
⊖	PIPE DOWN
⊕	POINT OF CONNECTION TO EXISTING

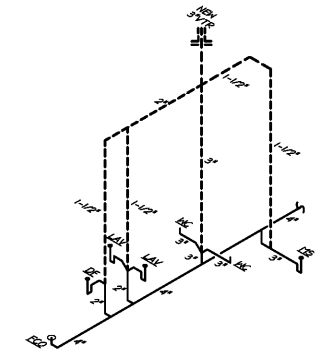
1 PLUMBING FLOOR PLAN
1/8" = 1'-0"



2 ENLARGED WATER SUPPLY PLAN
1/4" = 1'-0"



3 ENLARGED SANITARY WASTE PLAN
1/4" = 1'-0"



4 WASTE/VENT RISER
NO SCALE

www.ldilme.com

ENGINEER OF RECORD:
J. CORBETT THOMASON, P.E.
2120 DEWORTH RD EAST
CHARLOTTE, NC 28203
PH (704) 333-1020
Corbett@CorbettEngineering.com

1/5/21

mark	date	by	description

date	project	designed	drawn	checked
1/21/21	2116a	ACT	ACT	ACT

RRMM
ARCHITECTS, PC
Robert S. Barz, Jr., Architect
Duane M. Harver, Architect

1317 Executive Blvd, Suite 200
Chesapeake, VA 23320
(757) 622-2828 / fax (757) 622-8883



DOLLAR TREE
NORTHSIDE PLAZA, DEAL #12283
DALTON, GA
PLUMBING UPFIT PLANS AND DETAILS

project
drawing