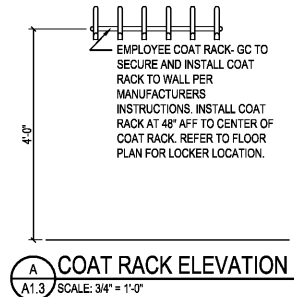
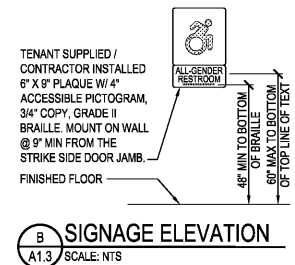


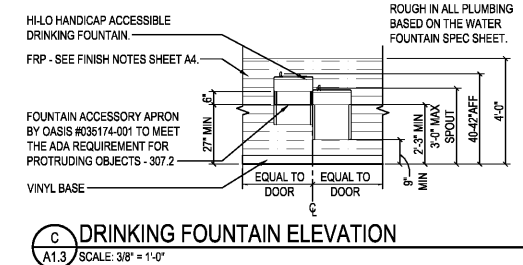
1 ENLARGED TOILET PLAN & EMPLOYEE AREA
A1.3 SCALE: 3/8" = 1'-0"



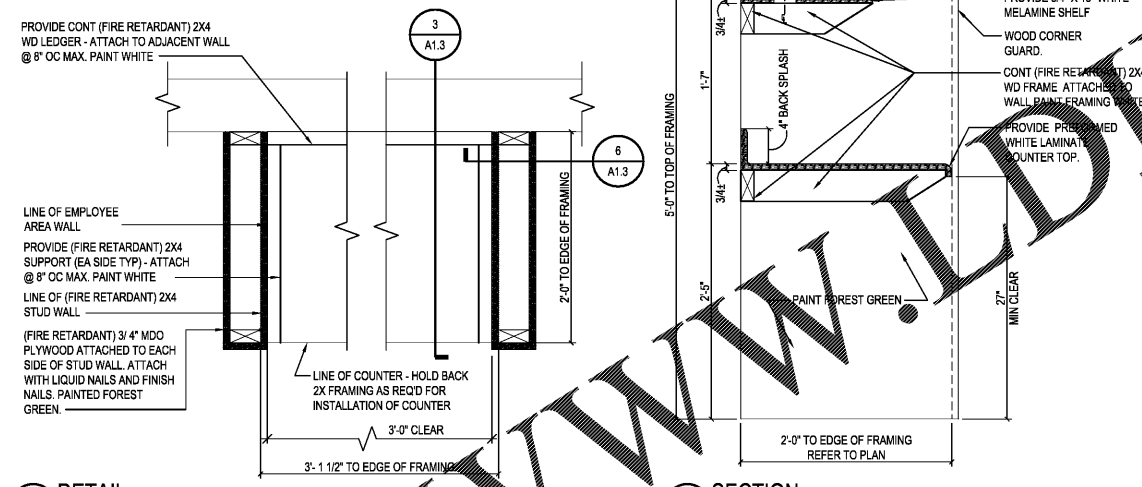
A COAT RACK ELEVATION
A1.3 SCALE: 3/4" = 1'-0"



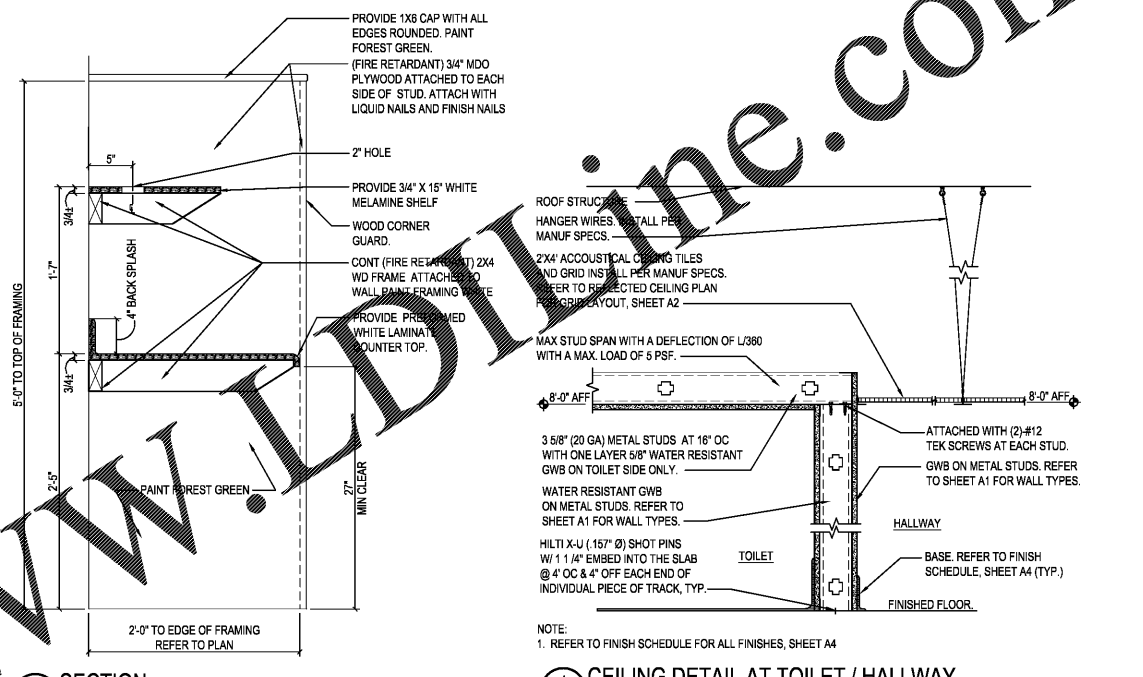
B SIGNAGE ELEVATION
A1.3 SCALE: NTS



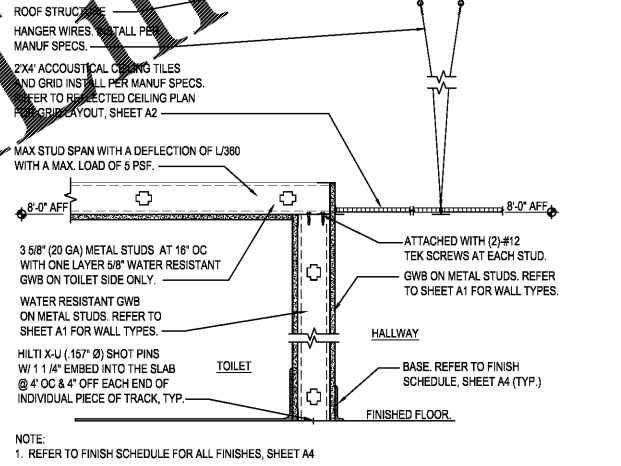
C DRINKING FOUNTAIN ELEVATION
A1.3 SCALE: 3/8" = 1'-0"



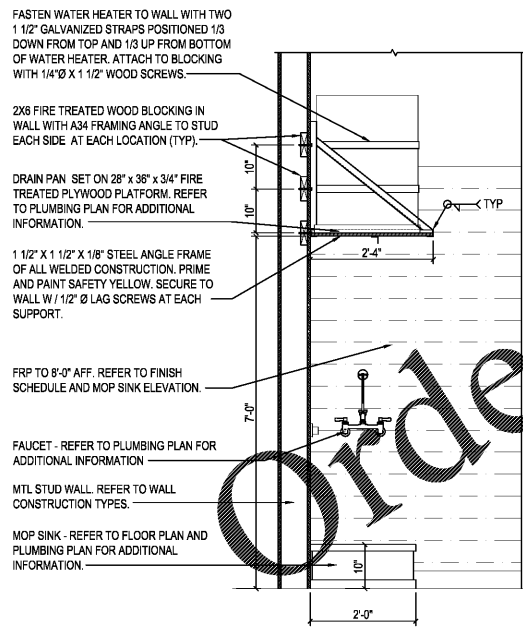
2 DETAIL
A1.3 SCALE: 1 1/2" = 1'-0"



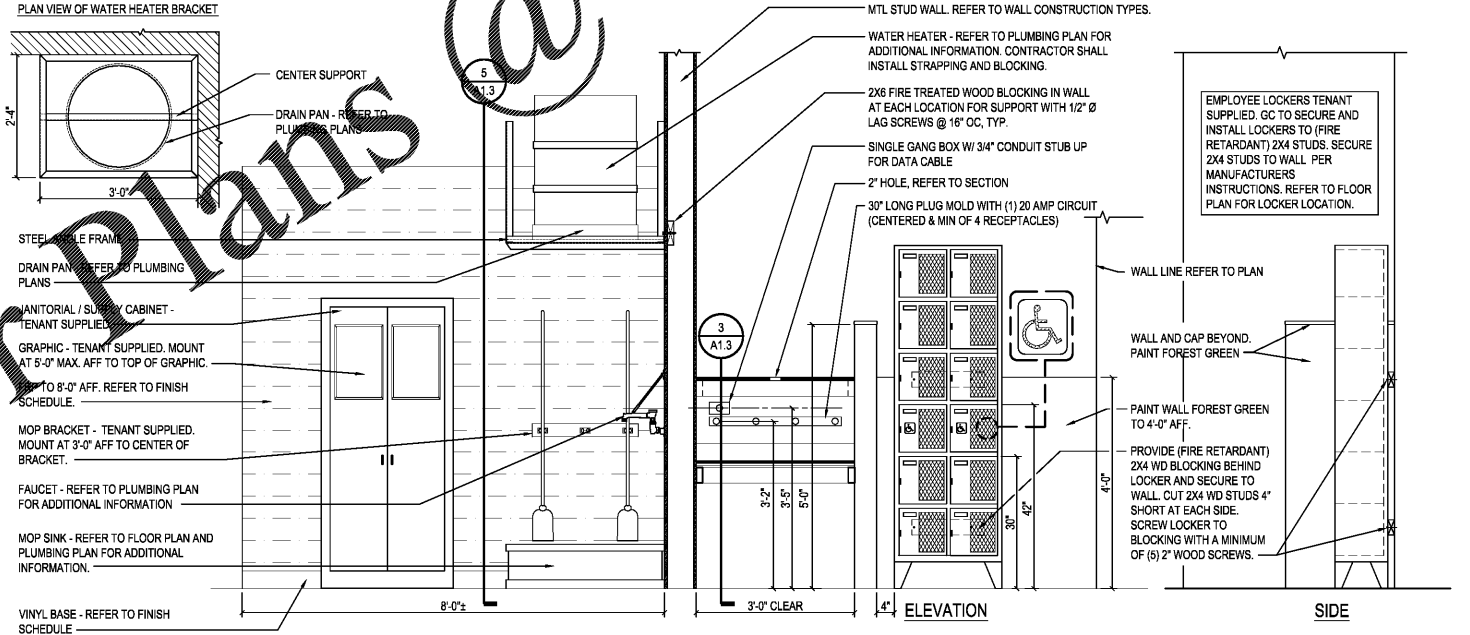
3 SECTION
A1.3 SCALE: 1 1/2" = 1'-0"



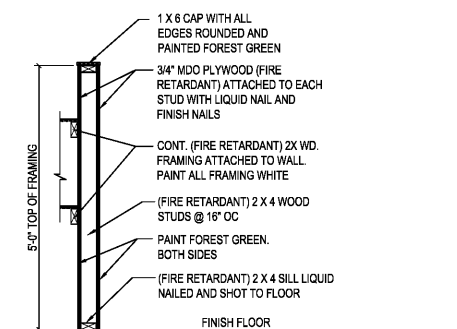
4 CEILING DETAIL AT TOILET / HALLWAY
A1.3 SCALE: 1 1/2" = 1'-0"



5 WATER HEATER MOUNTING DETAIL
A1.3 SCALE: 3/4" = 1'-0"



D LOCKER, TRAINING DESK, MOP SINK, AND UTILITY CABINET ELEVATION
A1.3 SCALE: 3/4" = 1'-0"



6 EMPLOYEE AREA SECTION
A1.3 SCALE: 3/4" = 1'-0"

CONTRACTOR SHALL OBTAIN A COPY OF THE WATER FOUNTAIN SPEC SHEET PRIOR TO WATER COOLER INSTALLATION. CONTRACTOR SHALL ROUGH IN ALL PLUMBING BASED ON THE WATER FOUNTAIN SPEC SHEET.

WWW.DOLLARTREE.COM

description	
by	
date	
mark	revisions
01/05/2011	21/05/2011
date	project
designer	drawn
checked	checked
date	new
21/05/2011	new
date	date
21/05/2011	21/05/2011
RRMM ARCHITECTS, P.C. Robert S Berz, Jr, Architect Duane M Harver, Architect 1317 Executive Blvd, Suite 200 Chesapeake, VA 23320 (757)822-2528 / fax (757)822-6883	
DOLLAR TREE NORTHSIDE PLAZA, DEAL #12293 DALTON, GA ENLARGED PLAN, DETAILS, SECTION AND ELEVATIONS	
project	drawing
sheet	A1.3