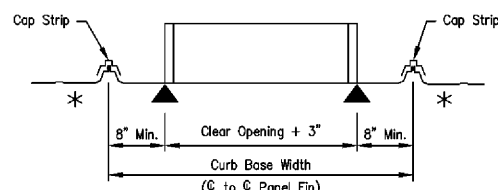
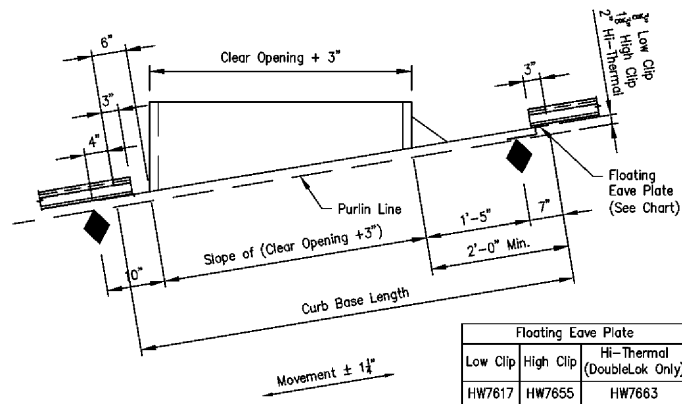
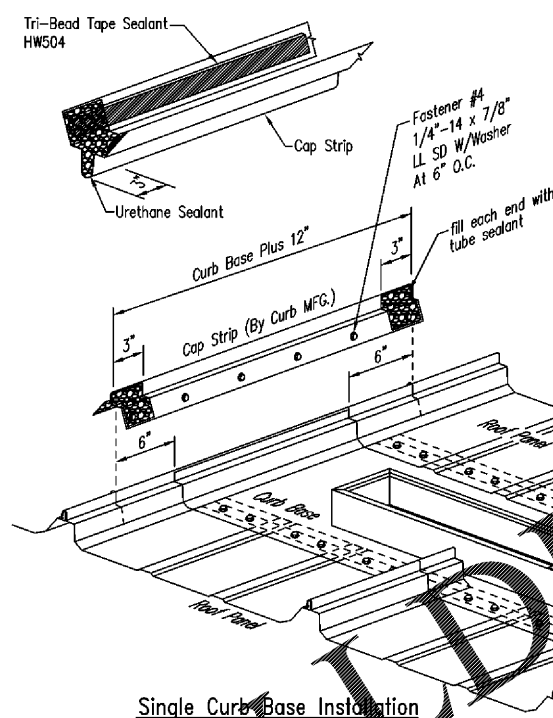


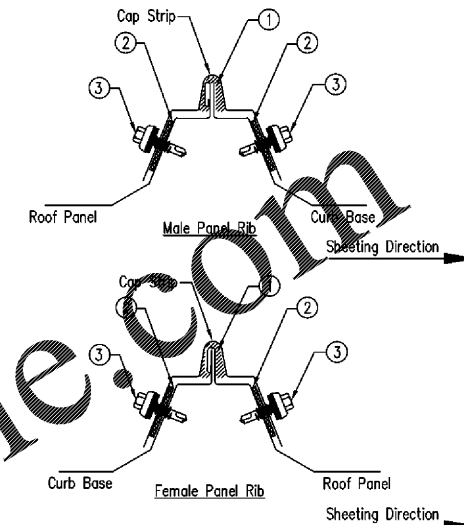
Curb Base Width = Increments of 24", 18", 12"
Curb Base Length = Clear Opening Plus 2'-9" Minimum



◆ Indicates Roof Panel Support Location
▲ Indicates Curb Base Support Location
* Framing Supports as Required

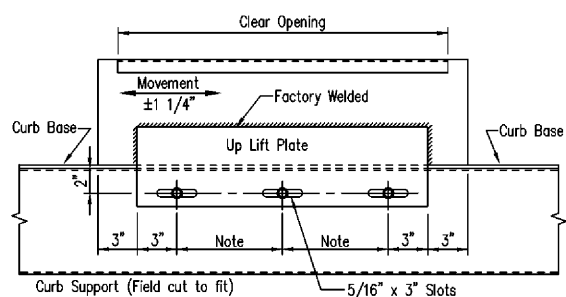


Single Curb Base Installation
Ultra-Dek/Double-Lok

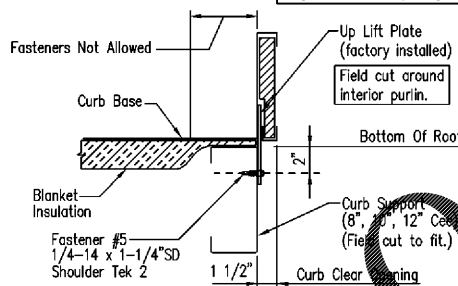


- 1 Fill Cap Strip with urethane tube sealant, 3" on each end.
- 2 Tri-bead tape sealant HW504
- 3 Fastener #4, 1/4"-14 x 7/8" LL SD W/Washer at 6" O.C.

Single Curb Cap Strip Attachment
Ultra-Dek/Double-Lok

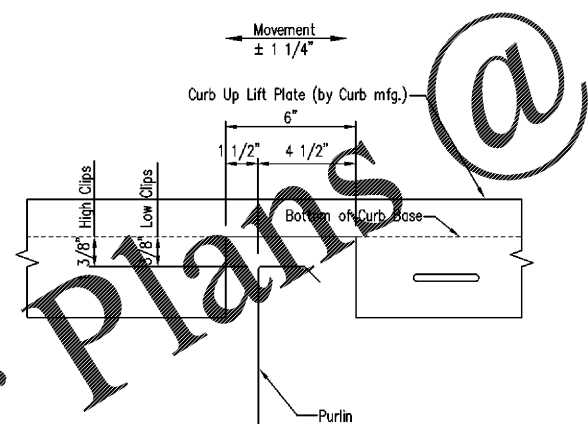


Slot location is determined by the curb length. Maximum spacing is 12" O.C.



NOTE: Up lift prevention plates (supplied by curb Mfr.) are required if the wind load exceeds 110 MPH or if the curb base crosses a purlin.

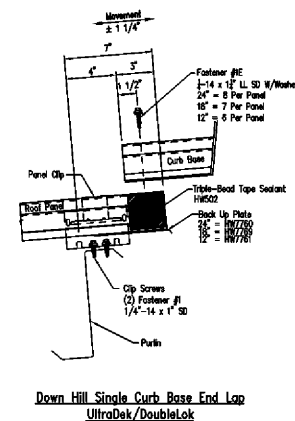
Single Curb Up Lift Plate Detail
Ultra-Dek/Double-Lok



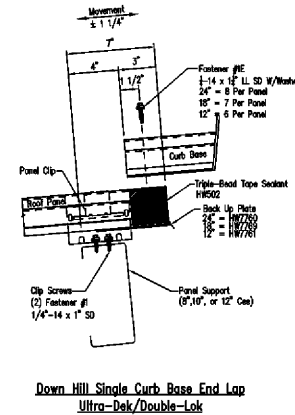
Up Lift Plate must be field notched around the building purlin to allow for panel movement.

NOTE: Up lift prevention plates (supplied by curb Mfr.) are required if the wind load exceeds 110 MPH or if the curb base crosses a purlin.

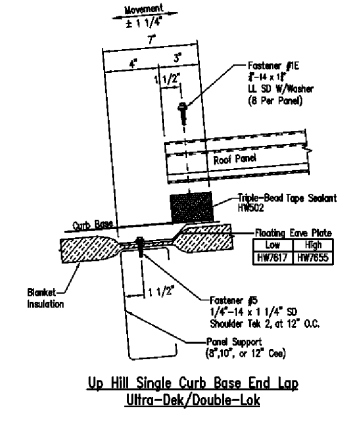
Single Curb Up Lift Plate Field Notch
Ultra-Dek/Double-Lok



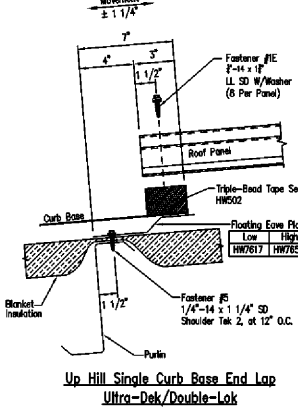
Down Hill Single Curb Base End Lap
UltraDek/DoubleLok



Down Hill Single Curb Base End Lap
Ultra-Dek/Double-Lok



Up Hill Single Curb Base End Lap
Ultra-Dek/Double-Lok



Up Hill Single Curb Base End Lap
Ultra-Dek/Double-Lok

CK'd	PNR	Description	Date	Revision
		FOR ERECTOR INSTALLATION	05/22/20	0

MESCO Building Solutions
5244 Bear Creek Court
Irving, TX 75061
Voice 214-687-9999
Fax 214-687-9737

Customer: CROSS DEVELOPMENT LLC
4336 MARSH RIDGE RD
CARROLLTON, TX 75010-4447 US
MEAGAN WEREN

Project Name & Location: CC FIVE FORKS SC
CROSS DEVELOPMENT
1215 E BUTLER RD
GREENVILLE, SC 29607-5911 US

Drawing Status: Preliminary For Approval For Construction For Erector Installation

Scale: NOT TO SCALE
Drawn by: BNS 05/22/20
Checked by: PNR 05/22/20
Project Engineer: SH
Job Number: 17-B-60327
Sheet Number: DET20

The engineer whose seal appears hereon is an employee for the manufacturer for the materials described herein. Said seal or certification is limited to the products designed and manufactured by manufacturer only. The undersigned engineer is not the overall engineer of record for this project.

Drawing has been digitally signed.
Jason Speagle
May 26, 2020

