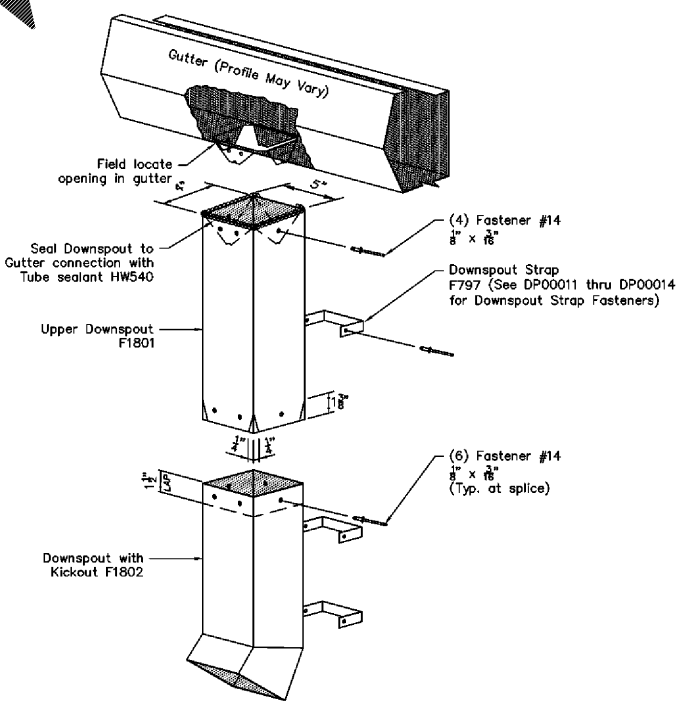
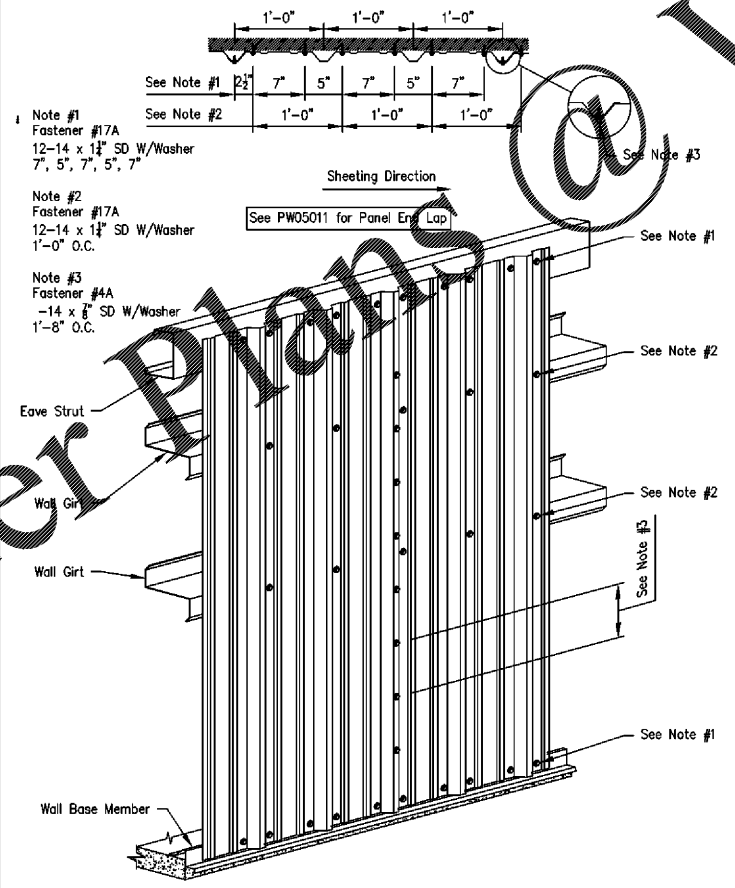
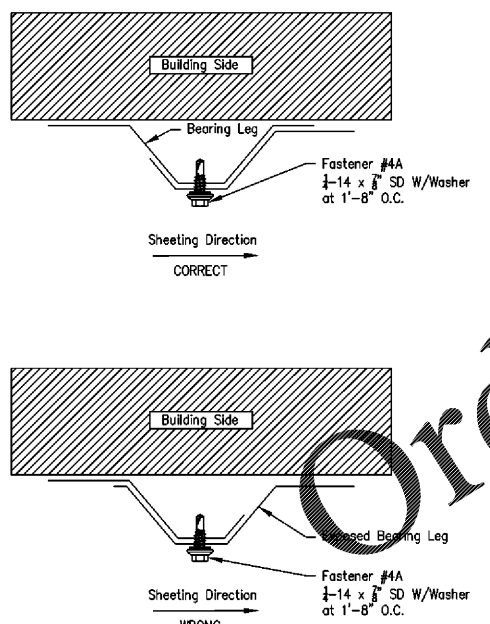


Note:  
1. Refer to the building erection drawings for the spacing of the downspouts.  
2. Locate all downspouts over a panel major rib if possible.  
3. A field splice is required for eave fields greater than 16'-0". Always measure the required length starting at the swaged end. After cutting to length, insert the swaged end of the cut downspout into the top of the lower downspout.  
4. Downspout straps F797 are located at the bottom of a downspout, below a splice, and at mid point of downspout longer than 10'-6". See DP00011 thru DP00014 for downspout strap fasteners.



Note:  
1. Refer to the building erection drawings for the spacing of the downspouts.  
2. Locate all downspouts over a panel major rib if possible.  
3. Downspout straps F797 are located at the bottom of a downspout, below a splice, and at a mid point of downspout longer than 10'-6". See DP00011 thru DP00014 for downspout strap fasteners.  
4. Field notch downspouts for lap as shown and cut to length.

Cl'd	PNR	Description	Date	Revision
		BNS FOR ERECTOR INSTALLATION	05/22/20	0

MESCO Building Solutions	5244 Bear Creek Court Inging, TX 75061 Voice 214-687-9999	Project Name & Location: CC FIVE FORKS SC CROSS DEVELOPMENT 1215 E BUTLER RD GREENVILLE, SC 29607-5911 US	For Erector Installation
Customer:	CROSS DEVELOPMENT LLC 4336 MARSH RIDGE RD CARROLLTON, TX 75010-4447 US	MEAGAN WIERN	For Approval
Drawing Status:			For Construction

Scale: NOT TO SCALE

Drawn by: BNS 05/22/20

Checked by: PNR 05/22/20

Project Engineer: SH

Job Number: 17-B-60327

Sheet Number: DET11

The engineer whose seal appears hereon is an employee for the manufacturer for the materials described herein. Said seal or certification is limited to the products designed and manufactured by manufacturer only. The undersigned engineer is not the overall engineer of record for this project.

Drawing has been digitally signed.

Jason Speagle  
May 26, 2020

