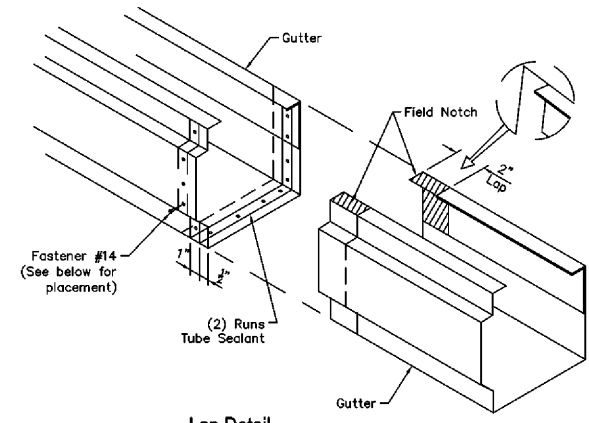
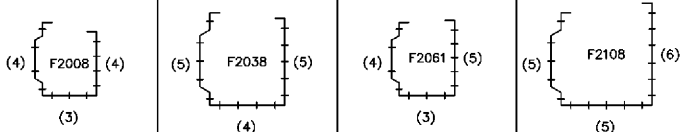
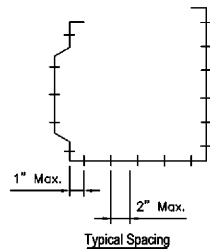


Gutter End Lap Installation - PBR Roof

Page PR04002
Date May '19 Rev 04

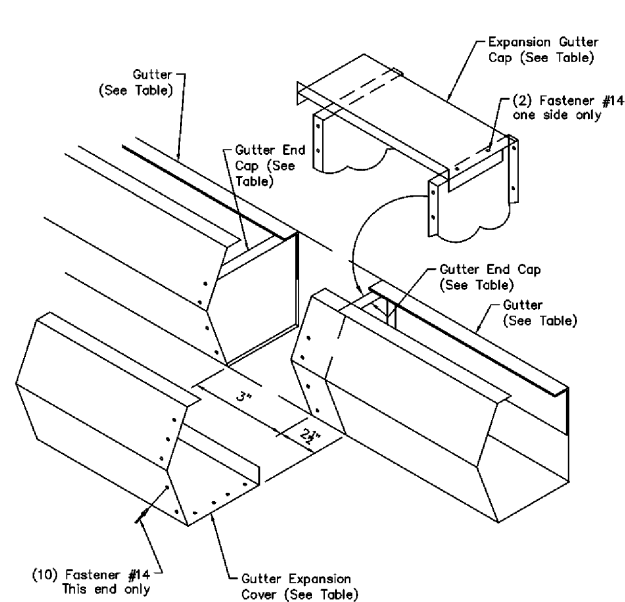


Lap Detail



PBR Roof - Gutter Expansion Installation - 100'-0" Maximum

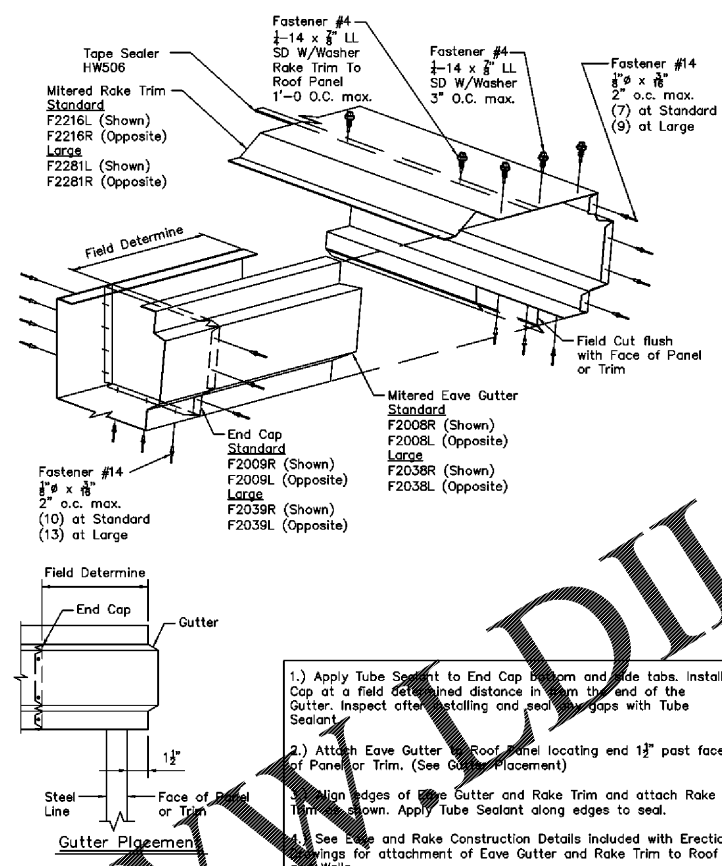
Page WPR04003
Date May '19 Rev 05



	Gutter	Gutter End Cap	Expansion Cover	Expansion Cap
Southern Standard	F760	F761 (12) Fastener #14	F643	F635
Southern Large	F4130	F4131 (14) Fastener #14	F4102	F4132
Northern Standard	F391	F392 (15) Fastener #14	F656	F658
Northern Large	F883	F884 (17) Fastener #14	F641	F629

PBR Roof Panel - Southern Standard And Southern Large Low Eave Rake Corner with Eave Gutter

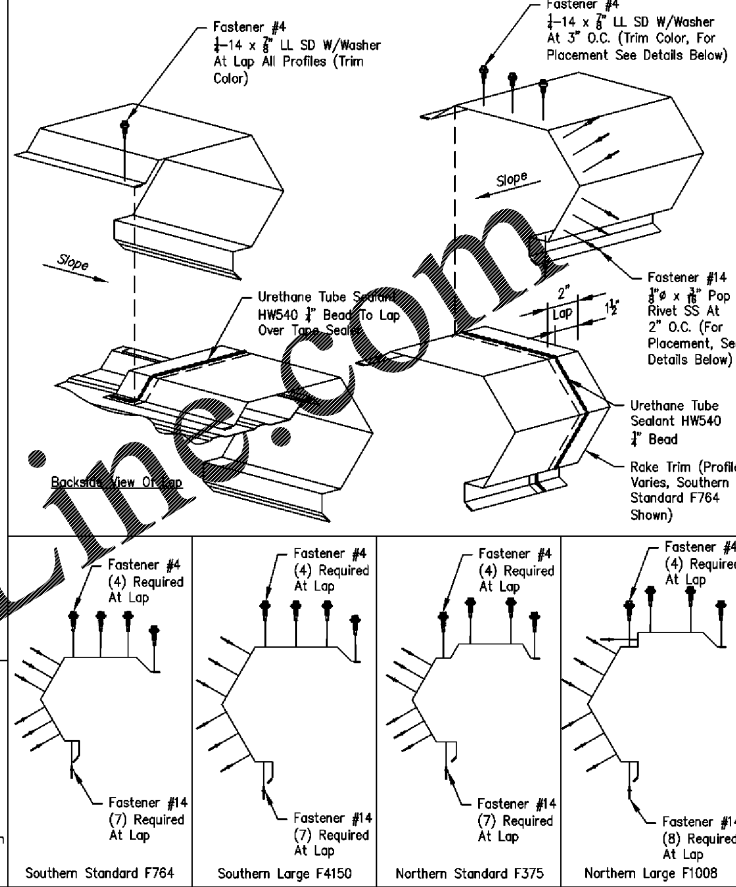
Page PR04004
Date May '19 Rev 08



- 1.) Apply Tube Sealant to End Cap Beams and side tabs. Install Cap at a field determined distance in from the end of the Gutter. Inspect after installing and seal any gaps with Tube Sealant.
- 2.) Attach Eave Gutter to Roof Panel locating end 1/2" past face of Panel or Trim. (See Gutter Placement)
- 3.) Align edges of Eave Gutter and Rake Trim and attach Rake Trim as shown. Apply Tube Sealant along edges to seal.
- 4.) See Eave and Rake Construction Details included with Erection drawings for attachment of Eave Gutter and Rake Trim to Roof and Walls.

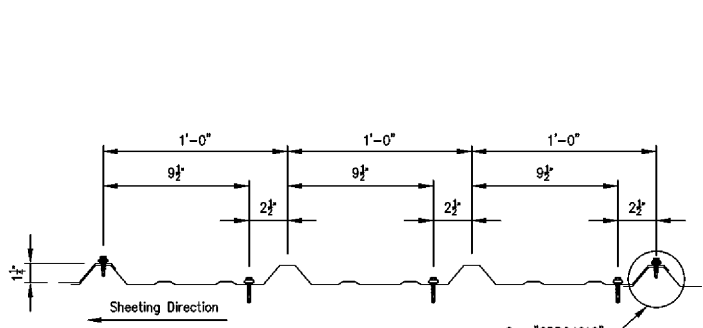
PBR Roof Panel Classic Rake Trim End Lap Installation Detail - 1/4" Wall Panel

Page WPR05010
Date May '19 Rev 05

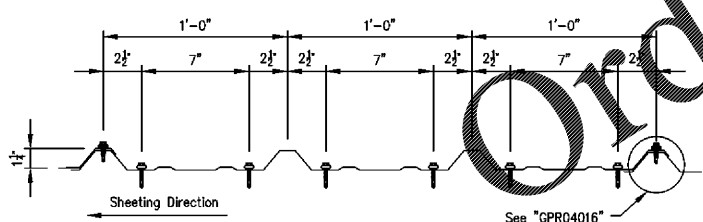


PBR Roof Panel Fastener And Tape Sealant Location

Page GPR00011
Date Apr '19 Rev 01



All Roof Members Except As Noted Below

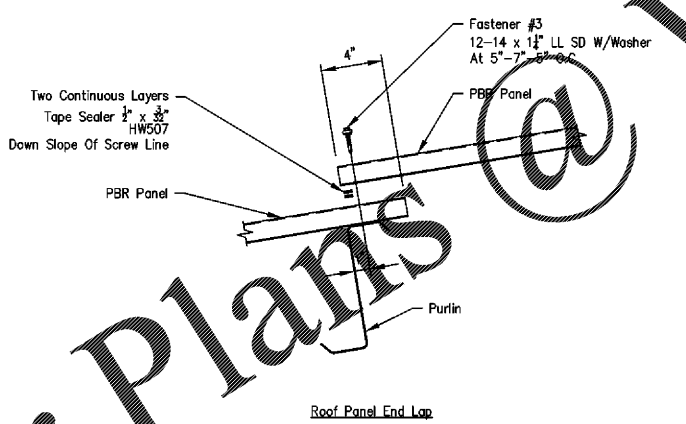


At Eave Strut, Panel End Lap And Peak Purlin

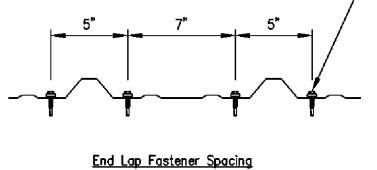
Note: Screw patterns shown satisfy U.L. 90 requirements for roof.

PBR Roof Panel End Lap Detail

Page GPR04015
Date Apr '19 Rev 03



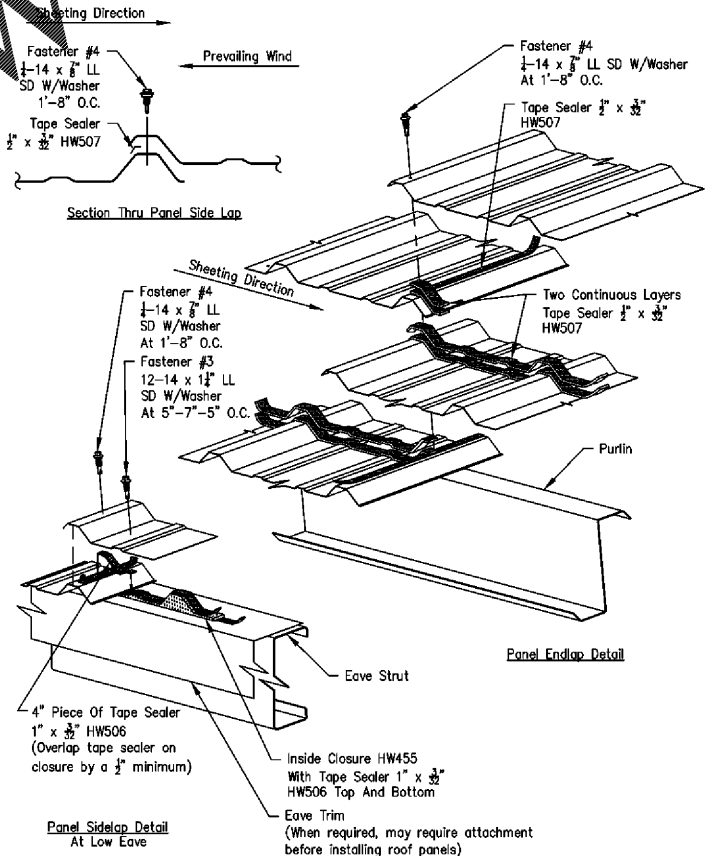
Roof Panel End Lap



End Lap Fastener Spacing

PBR Roof Panel Side Lap And End Lap Details

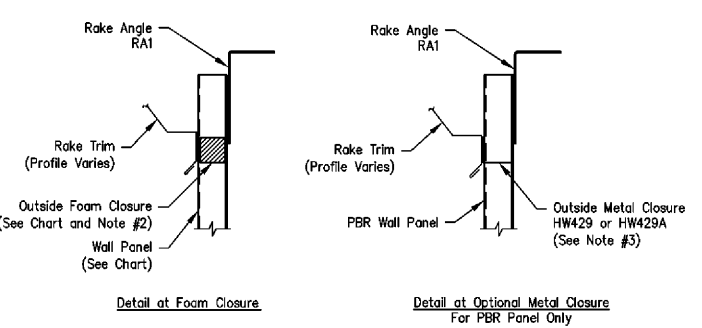
Page GPR04016
Date Apr '19 Rev 04



Panel Side Lap Detail At Low Eave

Single Skin Wall Panel Outside Closure Requirements at Rake

Page GD06003
Date Feb '19 Rev 02



- Notes:
1. Outside Panel Closures are Required at all Sheeted Endwalls.
 2. PBR Wall Panel Outside Foam Closures HW456 Required for Roof Slope 4:12 or Less and HW422 for Roof Slope Greater Than 4:12. Field Form/Notch HW422 to Panel Profile.
 3. PBR Wall Panel Outside Metal Closure HW429 for Roof Slope 0:12 Thru 1 1/2:12 and HW429A for Roof Slope Greater Than 3 1/2:12 Thru 4 1/2:12.
 4. Rake Slide Trim Required for All Standing Seam Roofs and at Screw Down Roof Runs Greater Than 100'-0".
 5. Foam Closures are Required when Job Requires Air Infiltration or Sealed Wall Requirements. See GD16002.

Wall Panel	Foam Closure
PBR	HW456/HW422
AVP	HW465
PBU	HW460
VistaShadow	HW465
NuWall	HW424
PBC	HW462
PBD	HW463
ShadowRib	HW412
Designer Series (Fluted Only)	HW4037
RBR (Reverse Rolled PBR)	HW455
RBU (Reverse Rolled PBU)	HW459
7.2	HW461

MECO Building Solutions
5244 Bear Creek Court Inning, TX 75061
Voice 214-687-9999 Fax 214-687-9737

Customer: CROSS DEVELOPMENT LLC
4336 MARSH RIDGE RD
CARROLLTON, TX 75010-4447 US

Project Name & Location: CC FIVE FORKS SC
CROSS DEVELOPMENT
1215 E BUTLER RD
GREENVILLE, SC 29607-5911 US

Scale: NOT TO SCALE
Drawn by: BNS 05/22/20
Checked by: PNR 05/22/20
Project Engineer: SH
Job Number: 17-B-60327
Sheet Number: DET10

The engineer whose seal appears hereon is an employee for the manufacturer for the materials described herein. Said seal or certification is limited to the products designed and manufactured by manufacturer only. The undersigned engineer is not the overall engineer of record for this project.

Drawing Status:
 Preliminary
 For Approval
 For Construction
 For Erector Installation

Jason Speagle
May 26, 2020

SOUTH CAROLINA PROFESSIONAL ENGINEER NO. 26802