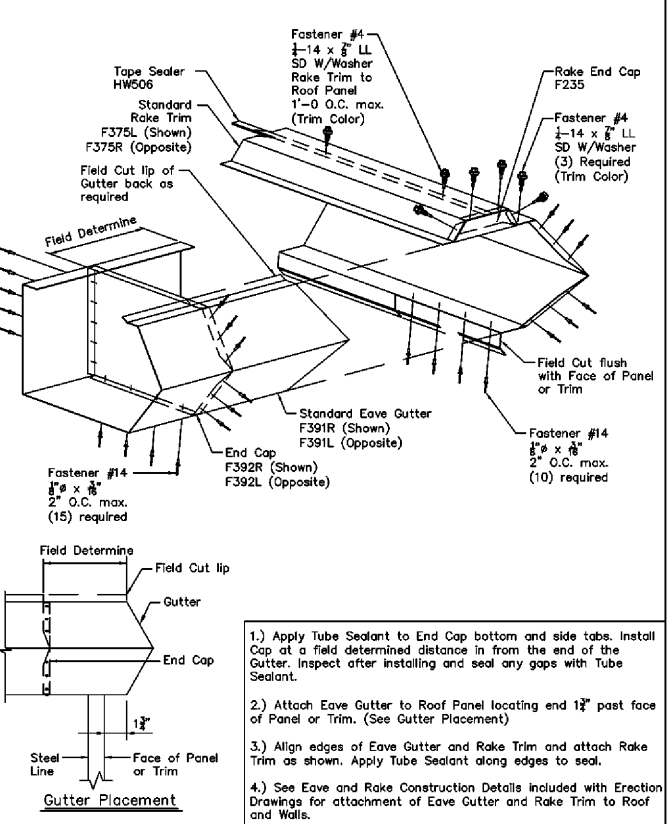
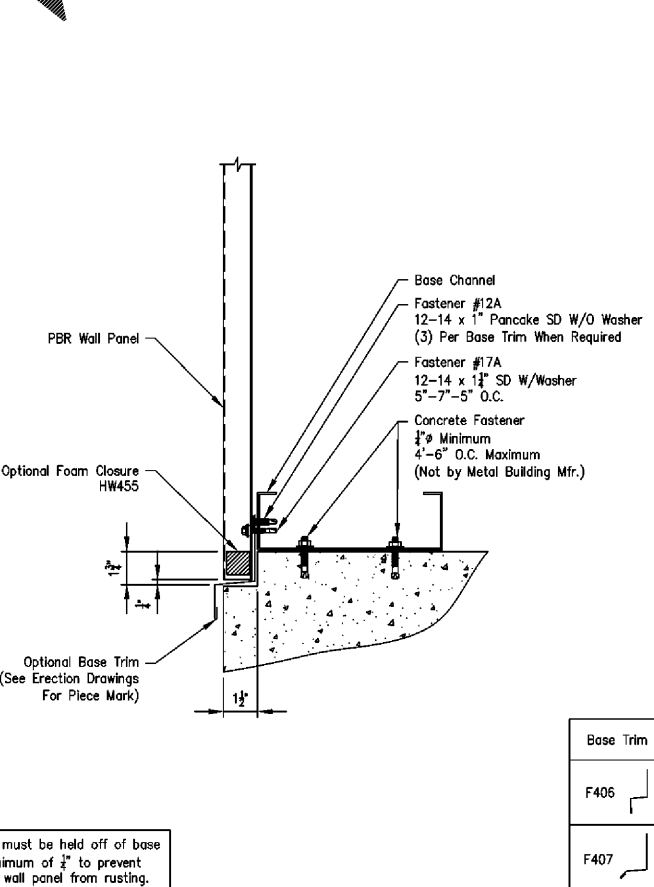
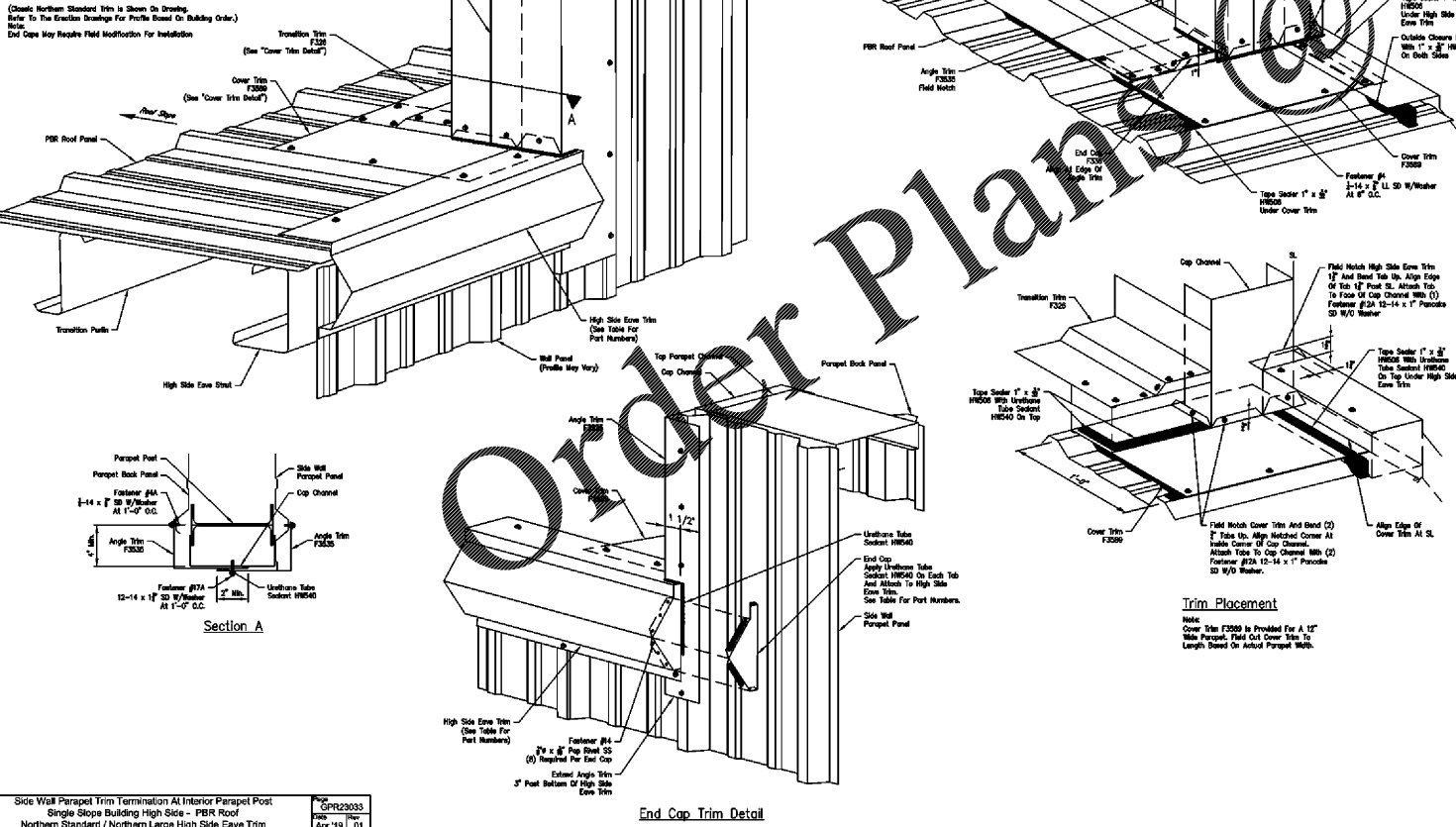


High Side Eave Trim Part Numbers		
Style	Northern Standard	Northern Large
Cascading	F1983	F1979
Classic	F373	F375
Contoured	F2953	F2978
Signature	F295	F904

End Cap Part Numbers		
Style	Northern Standard	Northern Large
Cascading	F1983/A	F1979/A
Classic	F373/A	F375/A
Contoured	F2953/A	F2978/A
Signature	F295/A	F904/A



- 1) Apply Tube Sealant to End Cap bottom and side tabs. Install Cap at a field determined distance in from the end of the Gutter. Inspect after installing and seal any gaps with Tube Sealant.
- 2) Attach Eave Gutter to Roof Panel locating end 1 1/2" past face of Panel or Trim. (See Gutter Placement)
- 3) Align edges of Eave Gutter and Rake Trim and attach Rake Trim as shown. Apply Tube Sealant along edges to seal.
- 4) See Eave and Rake Construction Details included with Erection Drawings for attachment of Eave Gutter and Rake Trim to Roof and Walls.

Scale: NOT TO SCALE

Drawn by: BNS 05/22/20

Checked by: PNR 05/22/20

Project Engineer: SH

Job Number: 17-B-60327

Sheet Number: DET9

The engineer whose seal appears hereon is an employee for the manufacturer for the materials described herein. Said seal or certification is limited to the products designed and manufactured by manufacturer only. The undersigned engineer is not the overall engineer of record for this project.

Drawing has been digitally signed.

Jason Speagle
May 26, 2020

SOUTH CAROLINA
REGISTERED PROFESSIONAL ENGINEER
NO. 26802
JASON SPEAGLE

MESCO Building Solutions
5244 Bear Creek Court
Inning, TX 75061
Voice 214-687-9999
Fax 214-687-9737

Customer: CROSS DEVELOPMENT LLC
4336 MARSH RIDGE RD
CARROLLTON, TX 75010-4447 US
MEAGAN WIERN
GREENVILLE, SC 29607-5911 US

Project Name & Location:
CC FIVE FORKS SC
CROSS DEVELOPMENT
1215 E BUTLER RD
GREENVILLE, SC 29607-5911 US

For Approval (Not For Construction)
For Approval (Not For Construction)
For Erector Installation