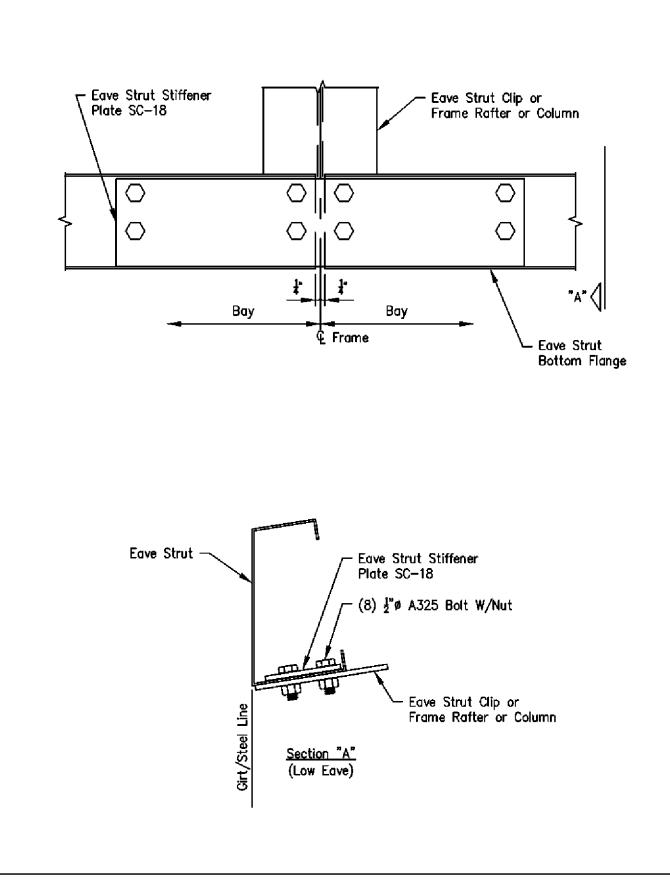
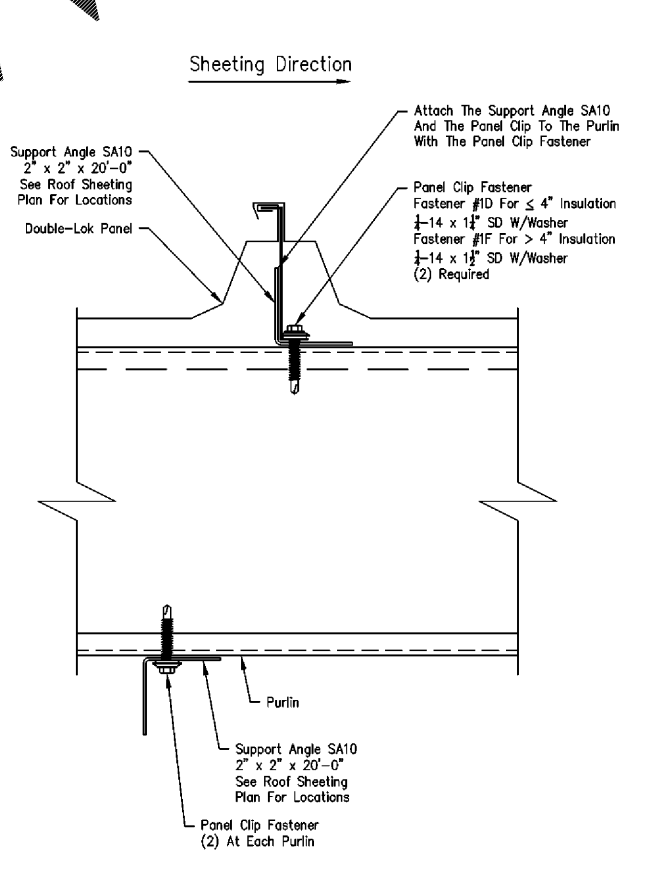
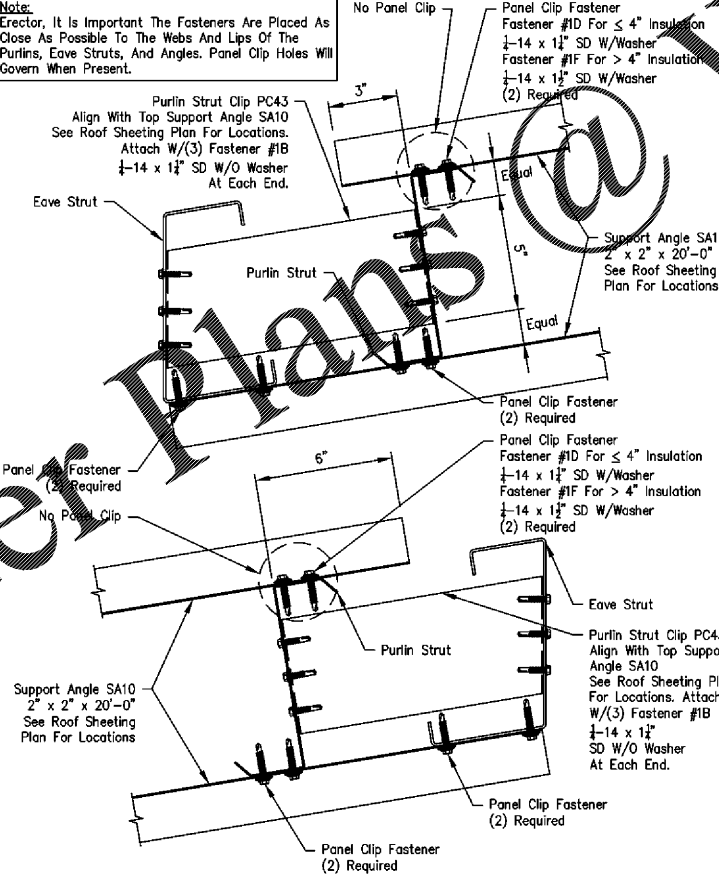
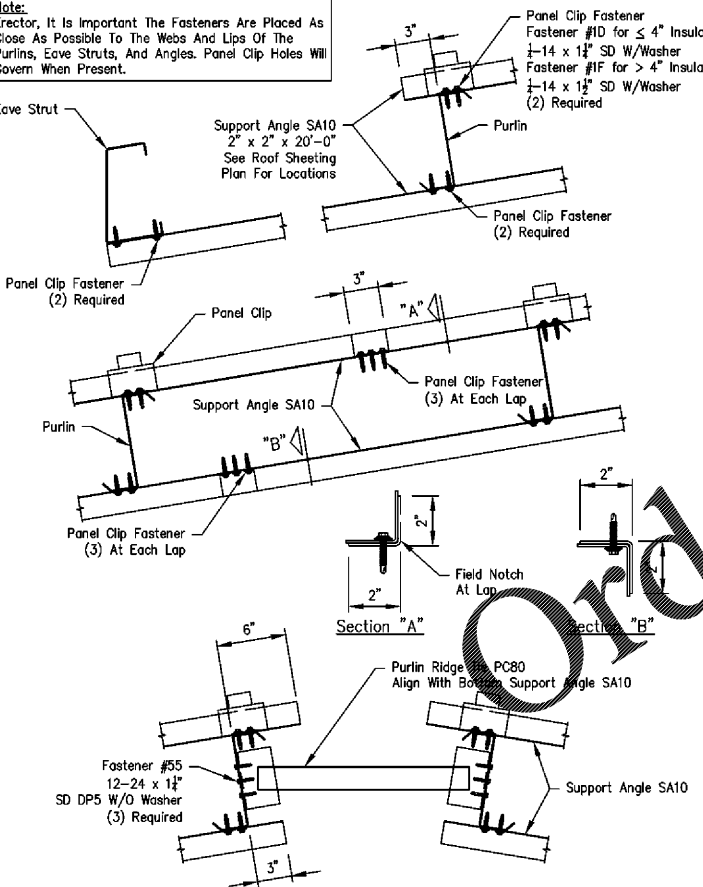


Note:
Zee Girt Shown
Cee Girt Similar
All Bolts To Be 1/2" Unless Noted.
For Required Length Refer To Clip
Table On Erection Drawings.

Note:
Zee Girt Shown
Cee Girt Similar
All Bolts To Be 1/2" Unless Noted.
For Required Length Refer To Clip
Table On Erection Drawings.

Note:
Zee Girt Shown
Cee Girt Similar
All Bolts To Be 1/2" Unless Noted.
For Required Length Refer To Clip
Table On Erection Drawings.

Note:
Zee Girt Shown
Cee Girt Similar
All Bolts To Be 1/2" Unless Noted.
For Required Length Refer To Clip
Table On Erection Drawings.



Note:
Erector, It is Important The Fasteners Are Placed As
Close As Possible To The Webs And Lips Of The
Purlins, Eave Struts, And Angles. Panel Clip Holes Will
Govern When Present.

Note:
Erector, It is Important The Fasteners Are Placed As
Close As Possible To The Webs And Lips Of The
Purlins, Eave Struts, And Angles. Panel Clip Holes Will
Govern When Present.

Note:
Erector, It is Important The Fasteners Are Placed As
Close As Possible To The Webs And Lips Of The
Purlins, Eave Struts, And Angles. Panel Clip Holes Will
Govern When Present.

Note:
Erector, It is Important The Fasteners Are Placed As
Close As Possible To The Webs And Lips Of The
Purlins, Eave Struts, And Angles. Panel Clip Holes Will
Govern When Present.

Ch'd	PNR	Description	Date	Revision
		FOR ERECTOR INSTALLATION	05/22/20	0

MESCO Building Solutions
5244 Bear Creek Court
Irving, TX 75061
Voice 214-687-9999

Customer:
CROSS DEVELOPMENT LLC
4386 MARSH RIDGE RD
CARROLTON, TX 75610-4447 US
MEAGAN WEREN

Project Name & Location:
CC FIVE FORKS SC
CROSS DEVELOPMENT
1215 E BUTLER RD
GREENVILLE, SC 29607-5911 US

Drawing Status:
 Preliminary
 For Construction
 For Approval
 For Erection Installation

Scale: NOT TO SCALE
 Drawn by: BNS 05/22/20
 Checked by: PNR 05/22/20
 Project Engineer: SH
 Job Number: 17-B-60327
 Sheet Number: DET6

The engineer whose seal appears hereon is an employee for the manufacturer for the materials described herein. Said seal or certification is limited to the products designed and manufactured by manufacturer only. The undersigned engineer is not the overall engineer of record for this project.

Drawing has been digitally signed.

Jason Speagle
May 26, 2020

SOUTH CAROLINA
Professional Engineer
No. 26892
JASON SPEAGLE