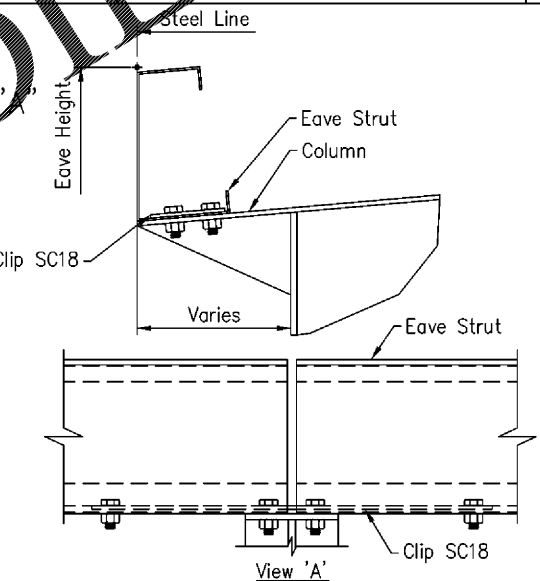
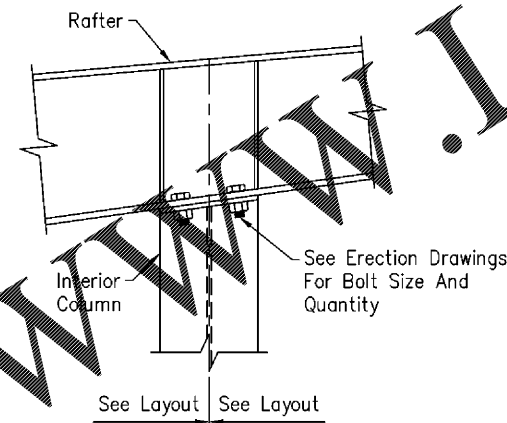
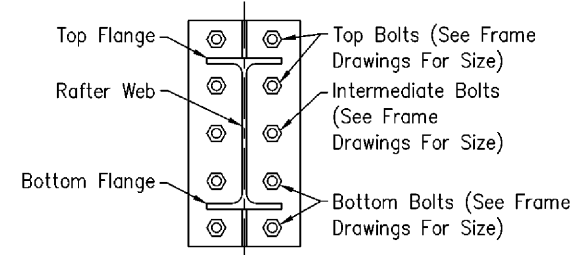
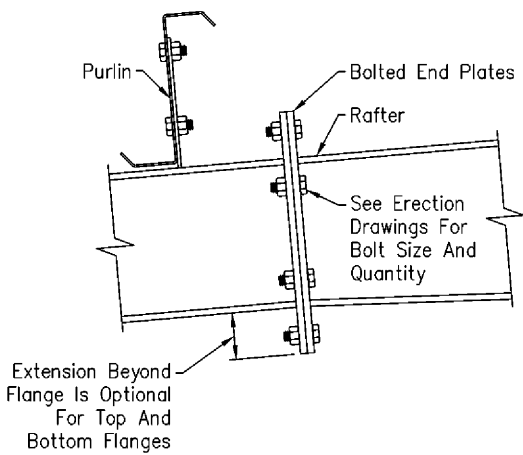
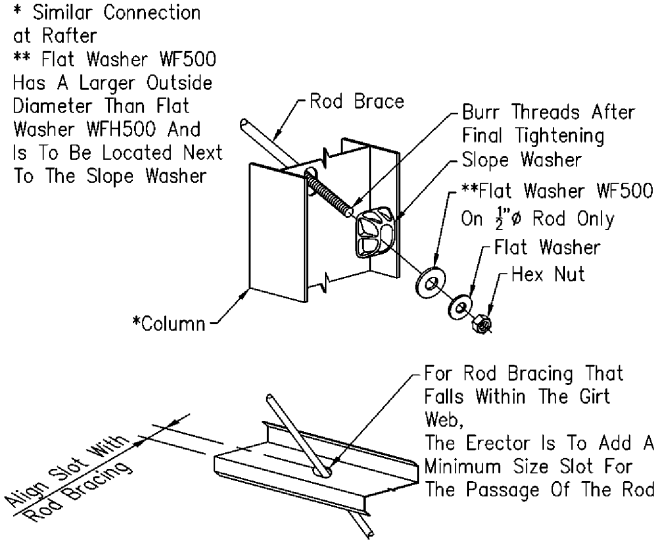
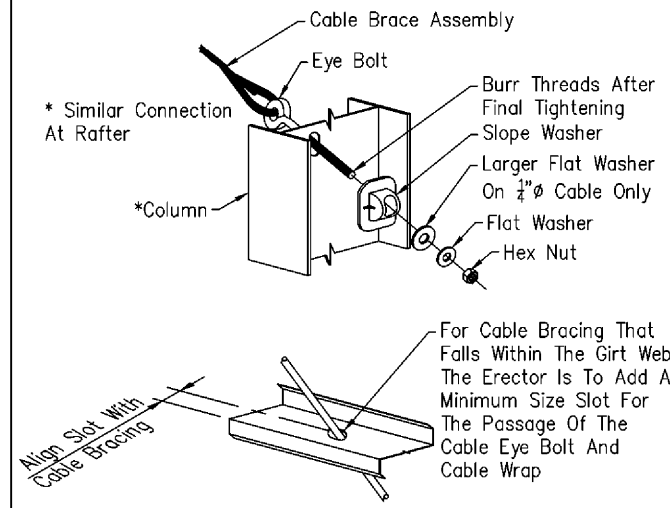
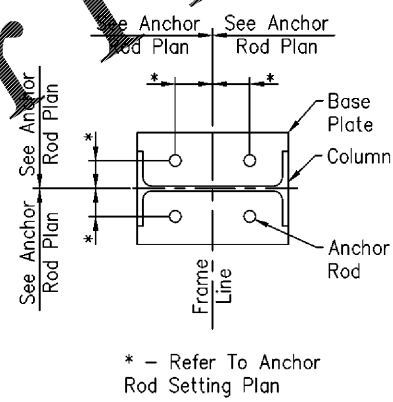
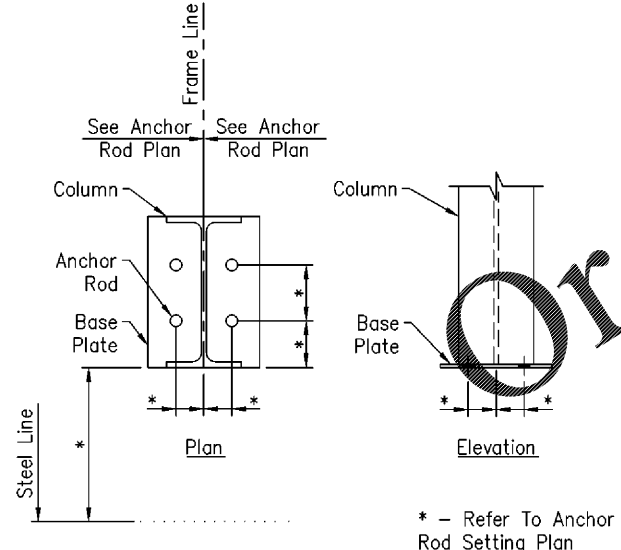


B6	Hot Rolled Endwall Column To Rafter	Date Jun '17	B20	Endwall Column To Rigid Frame Rafter	Date Jun '17	C6	Girt To Hot Rolled Endwall Column	Date Jun '17	18	Low Slope Eave Strut To Bearing Frame - Hot Rolled	Date Jun '17
Page MB-B6		Rev 00	Page MB-B20		Rev 00	Page MB-C6		Rev 00	Page MB-18		Rev 00



U1	Bolted End Plate Rigid Frame Rafter Splice	Date Jun '17	U3	Bolts At Rigid Frame Rafter To Column Connection	Date Jun '17	V2	Interior Hot Rolled Column To Rigid Frame Rafter	Date Jun '17	J4	Eave Strut To By-Pass Rigid Frame At Interior	Date Jun '17
Page MB-U1		Rev 00	Page MB-U3		Rev 00	Page MB-V2		Rev 00	Page MB-J4		Rev 00



R2	Anchor Rods At Frame Column	Date Dec '17	S2	Anchor Rods At Interior Column	Date Jun '17	Q2	Cable Brace Attachment At Web	Date Mar '18	Q3	Rod Brace Attachment At Web	Date Mar '18
Page MB-R2		Rev 00	Page MB-S2		Rev 00	Page MB-Q2		Rev 01	Page MB-Q3		Rev 01

Rev	Date	Description
0	05/22/20	FOR ERECTOR INSTALLATION

MESCO Building Solutions
 5244 Bear Creek Court Irving, TX 75061
 Voice 214-687-9999 Fax 214-687-9737

Customer:
 CROSS DEVELOPMENT LLC
 4336 MARSH RIDGE RD
 CARROLLTON, TX 75010-4447 US
 MEGAN VIEREN
 Drawing Status: Preliminary For Approval For Construction For Erector Installation

Scale: NOT TO SCALE
 Drawn by: BNS 05/22/20
 Checked by: PNR 05/22/20
 Project Engineer: SH
 Job Number: 17-B-60327
 Sheet Number: DET4

The engineer whose seal appears hereon is an employee for the manufacturer for the materials described herein. Said seal or certification is limited to the products designed and manufactured by manufacturer only. The undersigned engineer is not the overall engineer of record for this project.

Drawing has been digitally signed.

Jason Speagle
 May 26, 2020