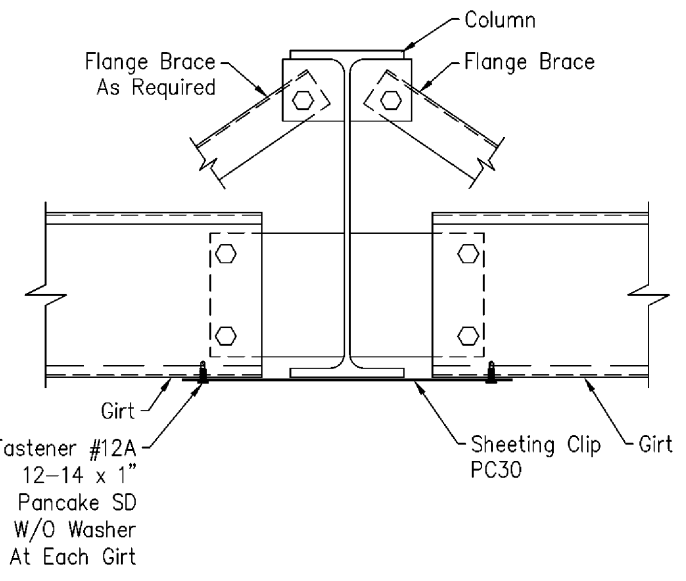
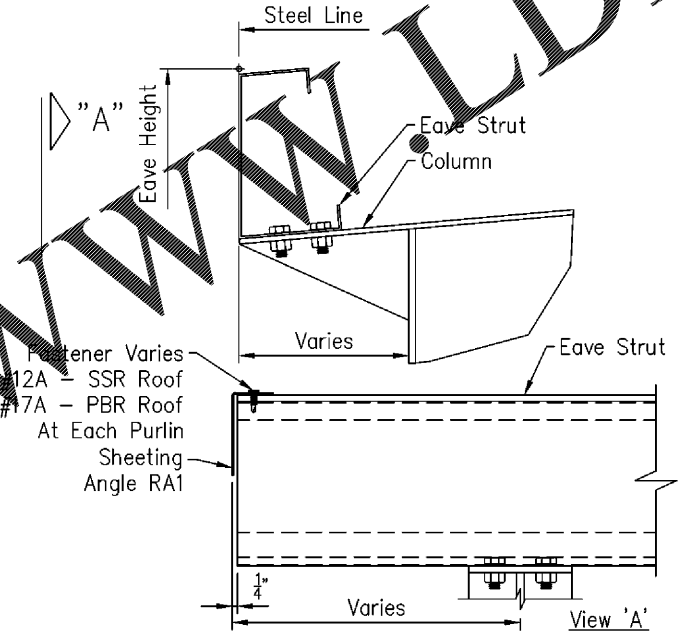
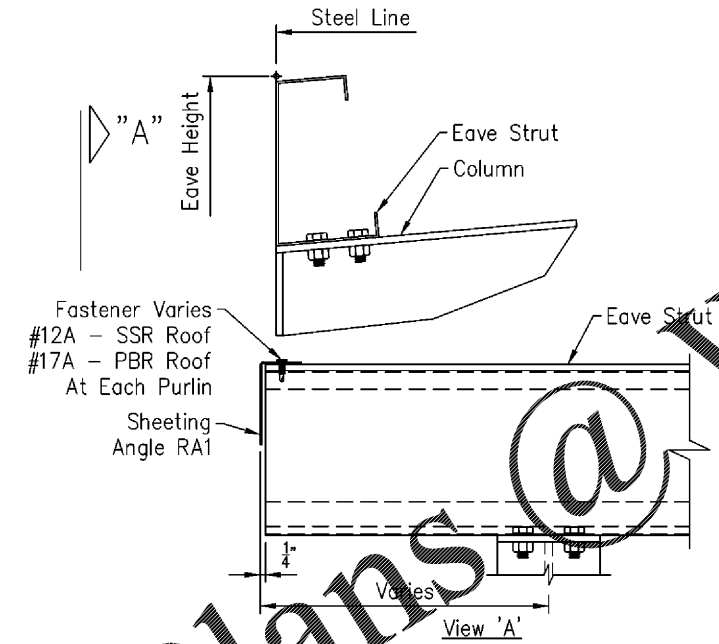
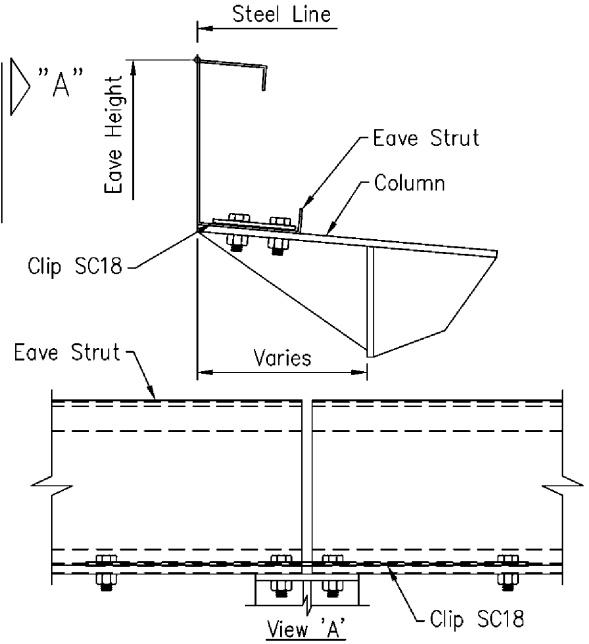


L1	Single Cold Form Jamb/Sub Jamb To Low Side Eave Strut	Date Dec '17	L8	Single Cold Form Jamb/Sub Jamb To Girt	Date Jun '17	L14	Single Cold Form Jamb/Sub Jamb To High Side Eave Strut	Date Dec	M3	Header To Cold Form Jamb/Sub Jamb	Date Dec '17
Page MB-L1		Rev 00	Page MB-L8		Rev 00	Page MB-L14		Rev 00	Page MB-M3		Rev 00



J10	Eave Strut To By-Pass Rigid Frame At Interior	Date Jun '17	J23	Eave Strut To Flush Rigid Frame At Endwall	Date Jun '17	J24	Eave Strut To By-Pass Rigid Frame At Endwall	Date Jun '17	H6	Girt To Rigid Frame	Date Jun '17
Page MB-J10		Rev 00	Page MB-J23		Rev 00	Page MB-J24		Rev 00	Page MB-H6		Rev 00

Order Plans @

Ck'd		Description		Date		Revision	
BNS	PNR	FOR ERECTOR INSTALLATION		05/22/20		0	
<p><b>MESCO Building Solutions</b>          5244 Bear Creek Court Irving, TX 75061          Voice 214-687-9999 Fax 214-687-9737</p> <p><b>Customer:</b> CROSS DEVELOPMENT LLC          4336 MARSH RIDGE RD CARROLLTON, TX 75010-4447 US          MEGAN VIEREN GREENVILLE, SC 29607-5811 US</p> <p><b>Project Name &amp; Location:</b> CC FIVE FORKS SC          CROSS DEVELOPMENT 1215 E BUTLER RD GREENVILLE, SC 29607-5811 US</p> <p><b>Drawing Status:</b>  <input type="checkbox"/> Preliminary <input type="checkbox"/> For Approval <input checked="" type="checkbox"/> For Construction <input type="checkbox"/> For Erector Installation</p> <p>Scale: NOT TO SCALE          Drawn by: BNS 05/22/20          Checked by: PNR 05/22/20          Project Engineer: SH          Job Number: 17-B-60327          Sheet Number: DET3</p> <p>The engineer whose seal appears hereon is an employee for the manufacturer for the materials described herein. Said seal or certification is limited to the products designed and manufactured by manufacturer only. The undersigned engineer is not the overall engineer of record for this project.</p>							

Drawing has been digitally signed.

*Jason Speagle*  
May 26, 2020

