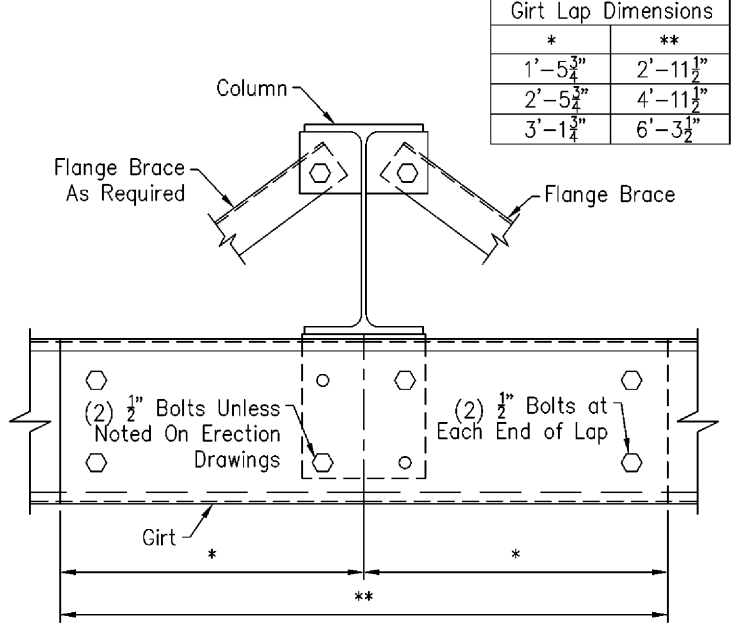
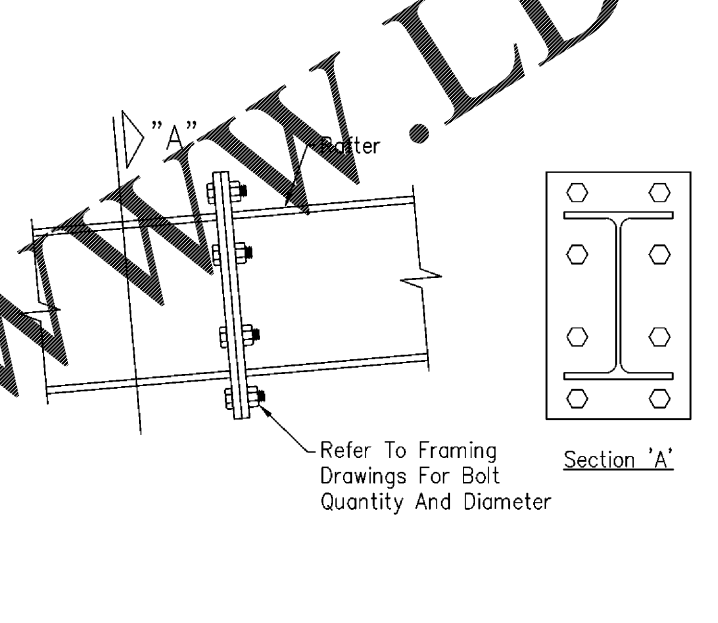
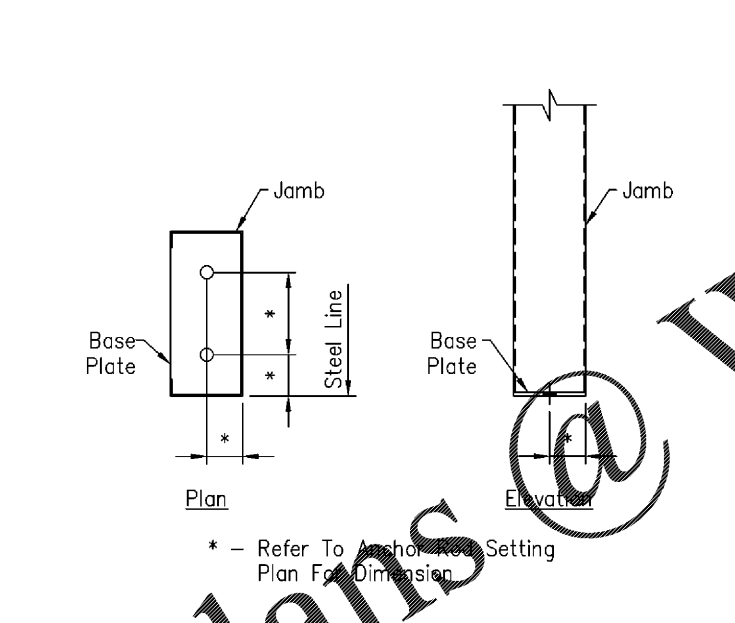
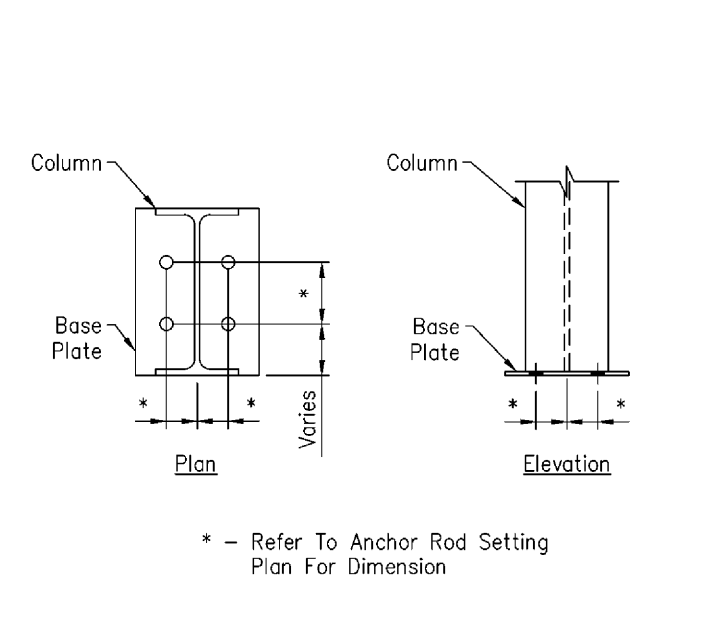


D13 Girt To Rigid Frame Endwall Column Date Jun '17 Rev 00 Page MB-D13

D16 Girt To Rigid Frame Endwall Column Date Jun '17 Rev 00 Page MB-D16

D27 Girt To Rigid Frame Endwall Column Date Jun '17 Rev 00 Page MB-D27

G2 Purlin To Rigid Frame Date Sep '19 Rev 01 Page MB-G2



E3 Endwall Column Base Plate Date Dec '18 Rev 01 Page MB-E3

E5 Door Jamb Base Plate Date Dec '18 Rev 01 Page MB-E5

F9 Endwall Bearing Frame Intermediate Hot Rolled Rafter Splice Date Jun '17 Rev 00 Page MB-F9

H2 Girt To Rigid Frame Date Sep '19 Rev 01 Page MB-H2

Order Plans @

WWW.LDLINE.COM

CK'd	PNR	Description	Date	Revision
	BNS	FOR ERECTOR INSTALLATION	05/22/20	0

MESCO Building Solutions
 5244 Bear Creek Court Irving, TX 75061
 Voice 214-687-9999 Fax 214-687-9737
 Project Name & Location:
 CC FIVE FORKS SC CROSS DEVELOPMENT
 4336 MARSH RIDGE RD CARROLLTON, TX 75010-4447 US
 1215 E BUTLER RD GREENVILLE, SC 29607-5811 US
 Customer: CROSS DEVELOPMENT LLC
 Drawing Status: Preliminary For Approval For Construction For Erector Installation

Scale: NOT TO SCALE
 Drawn by: BNS 05/22/20
 Checked by: PNR 05/22/20
 Project Engineer: SH
 Job Number: 17-B-60327
 Sheet Number: DET2

The engineer whose seal appears hereon is an employee for the manufacturer for the materials described herein. Said seal or certification is limited to the products designed and manufactured by manufacturer only. The undersigned engineer is not the overall engineer of record for this project.

Drawing has been digitally signed.

Jason Speagle
May 26, 2020

