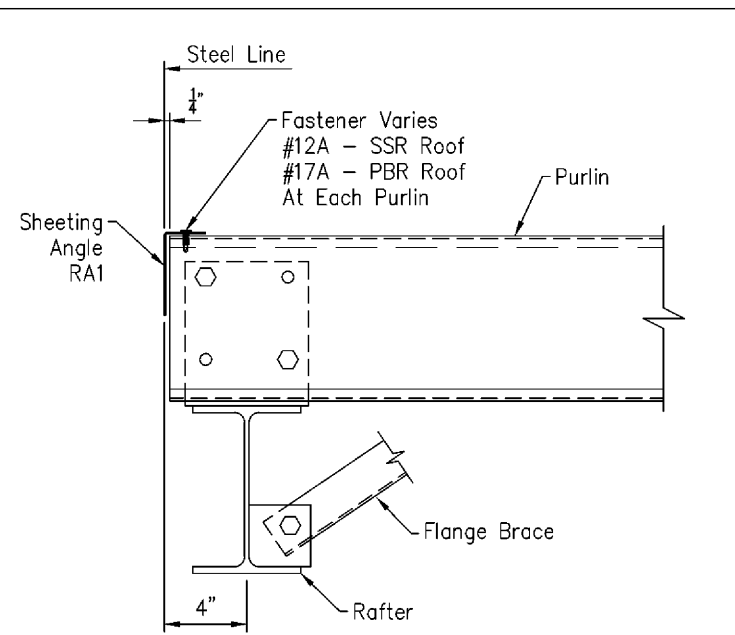
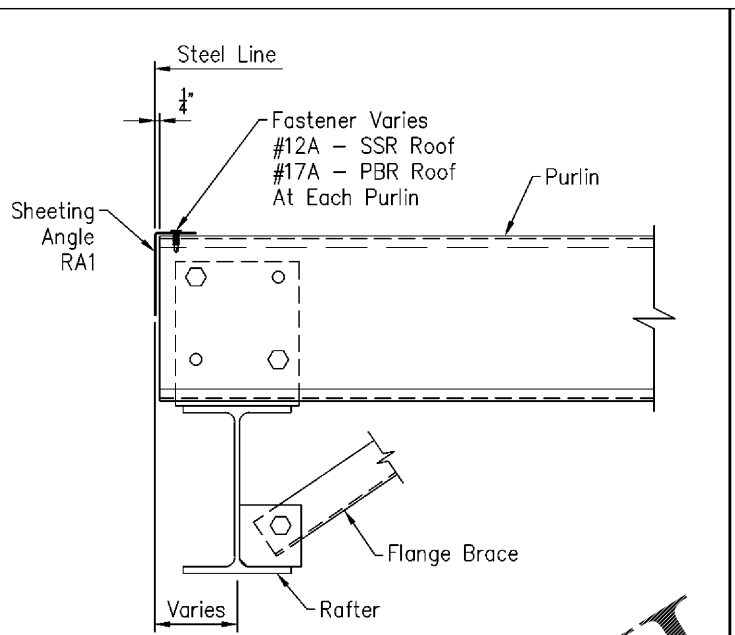


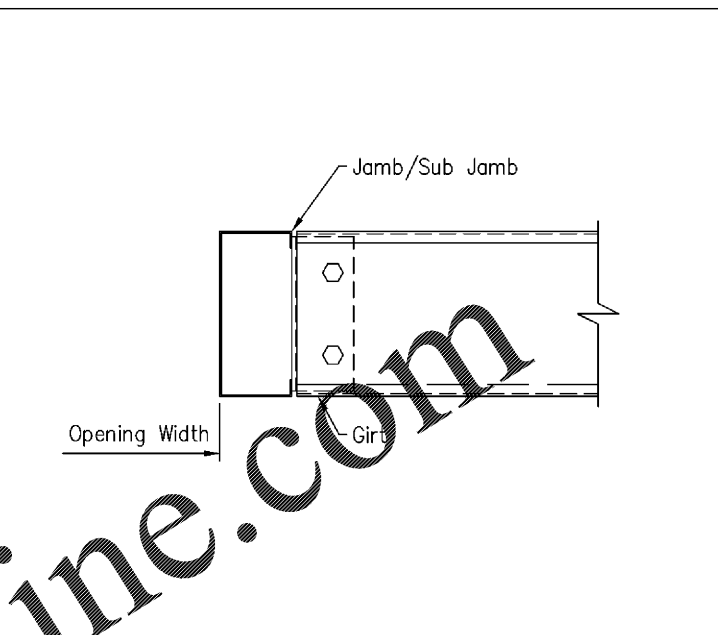
**(ANTI)** PURLIN ANTI-ROLL CLIP



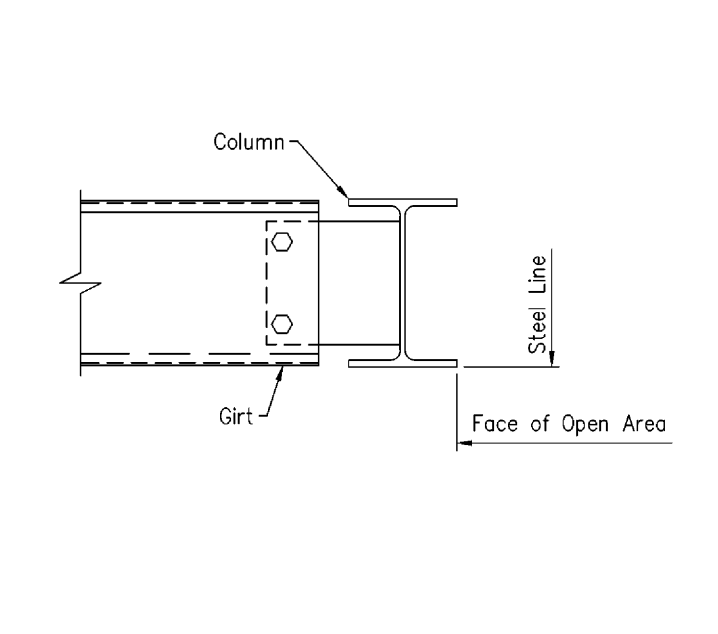
A7 Purlin To Bearing Frame Hot Rolled Rafter



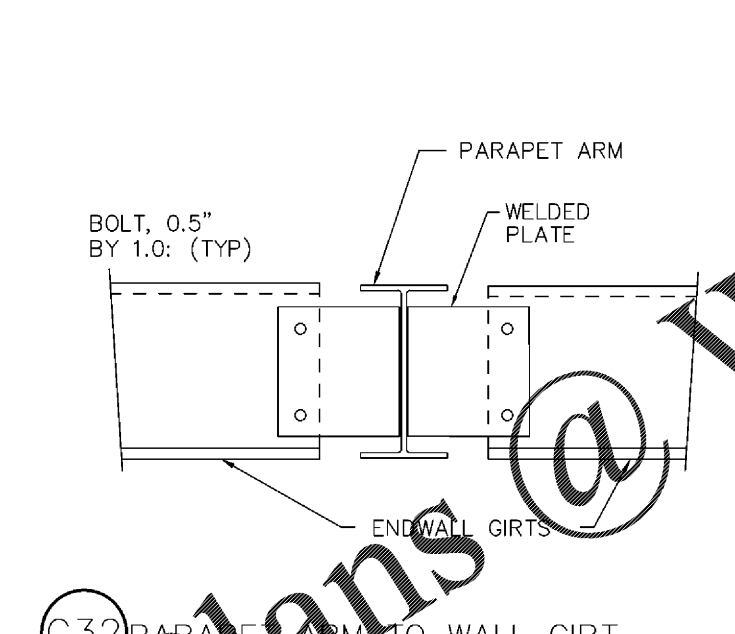
A10 Purlin To Rigid Frame



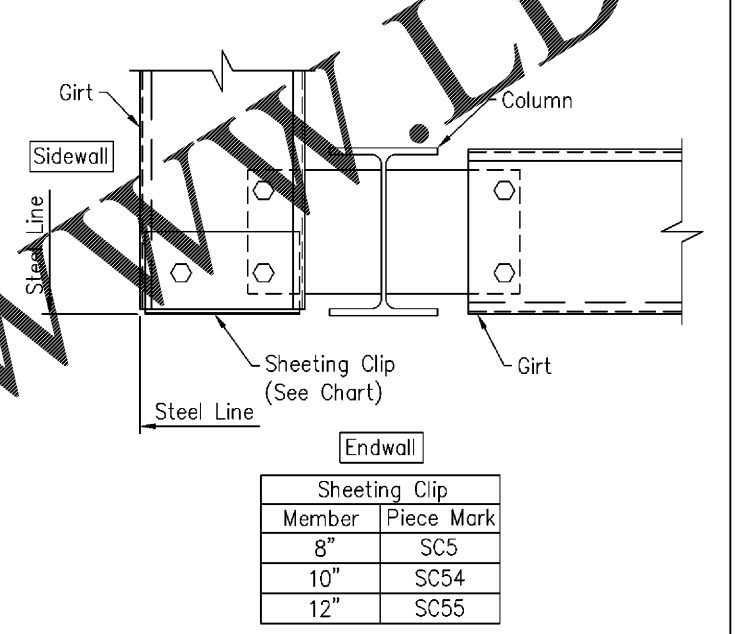
K3 Girt To Single Cold Form Jamb/Sub Jamb



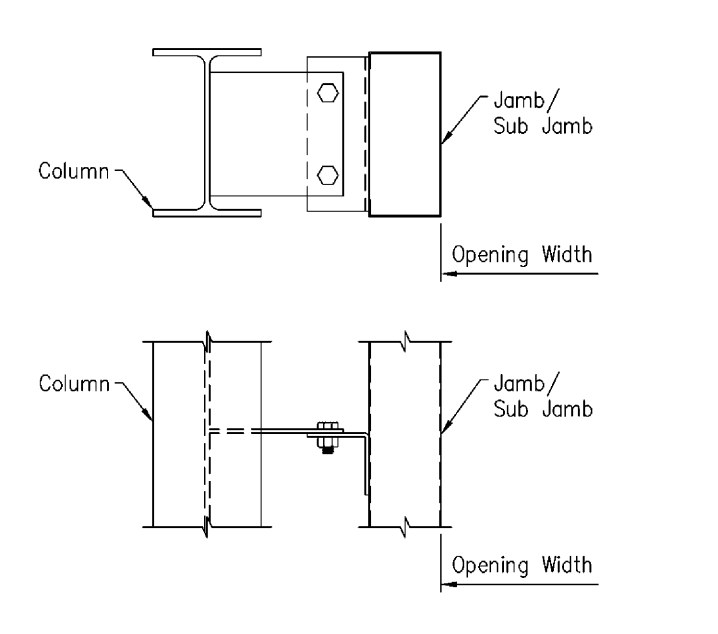
C15 Girt To Hot Rolled Endwall Column - Partially Open



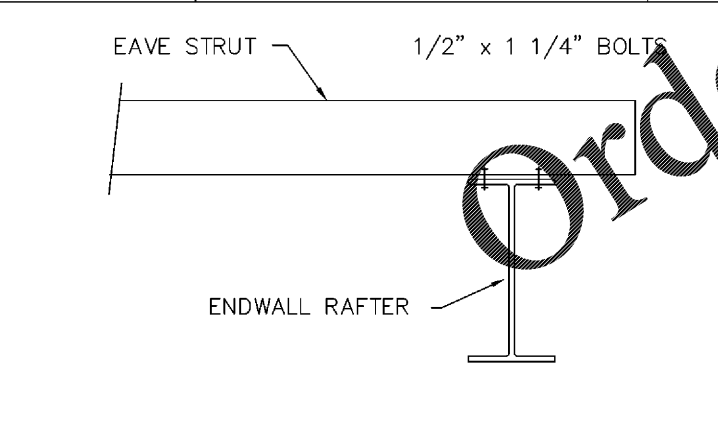
C32 PARAPET ARM TO WALL GIRTS



D6 Girt To Hot Rolled Corner Column



K7 Hot Rolled Column To Single Cold Form Jamb/Sub Jamb



**(117)** EAVE STRUT TO ENDWALL RAFTER

Revision	Date	Description
0	05/22/20	FOR ERECTOR INSTALLATION

**MESCO Building Solutions**  
 5244 Bear Creek Court Irving, TX 75061  
 Voice 214-687-9999 Fax 214-687-9737

**Customer:** CROSS DEVELOPMENT LLC  
 4336 MARSH RIDGE RD CARROLLTON, TX 75010-4447 US  
 MEGAN VIEREN GREENVILLE, SC 29607-5811 US

**Project Name & Location:** CC FIVE FORKS SC CROSS DEVELOPMENT 1215 E BUTLER RD GREENVILLE, SC 29607-5811 US

**Drawing Status:** Preliminary  For Approval  For Construction  For Erector Installation

Scale: NOT TO SCALE  
 Drawn by: BNS 05/22/20  
 Checked by: PNR 05/22/20  
 Project Engineer: SH  
 Job Number: 17-B-60327  
 Sheet Number: DET1

The engineer whose seal appears hereon is an employee for the manufacturer for the materials described herein. Said seal or certification is limited to the products designed and manufactured by manufacturer only. The undersigned engineer is not the overall engineer of record for this project.

Drawing has been digitally signed.

*Jason Speagle*  
 May 26, 2020

**SOUTH CAROLINA**  
 PROFESSIONAL ENGINEER  
 NO. 26802  
**JASON SPEAGLE**