

SPLICE PLATE & BOLT TABLE										CAP PLATE BOLTS				
Mark	Qty Top	Qty Bot	Int	Type	Dia	Length	Width	Thick	Length	Mark	Qty	Type	Dia	Length
SP-1	4	0	0	A325	3/4"	1 3/4"	6"	3/8"	10 1/2"	EC-100	4	A325	1/2"	1 1/2"
SP-2	4	0	0	A325	3/4"	1 1/2"	6"	3/8"	9"					

STIFFENER TABLE				
Mark	Stiff Mark	Width	Plate Size Thick	Length
RF1-101	ST1	2"	1/4"	7 15/16"

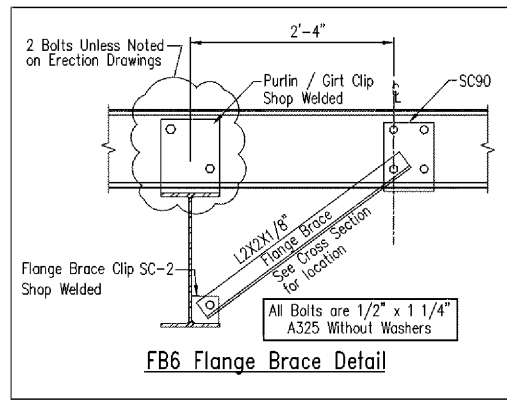
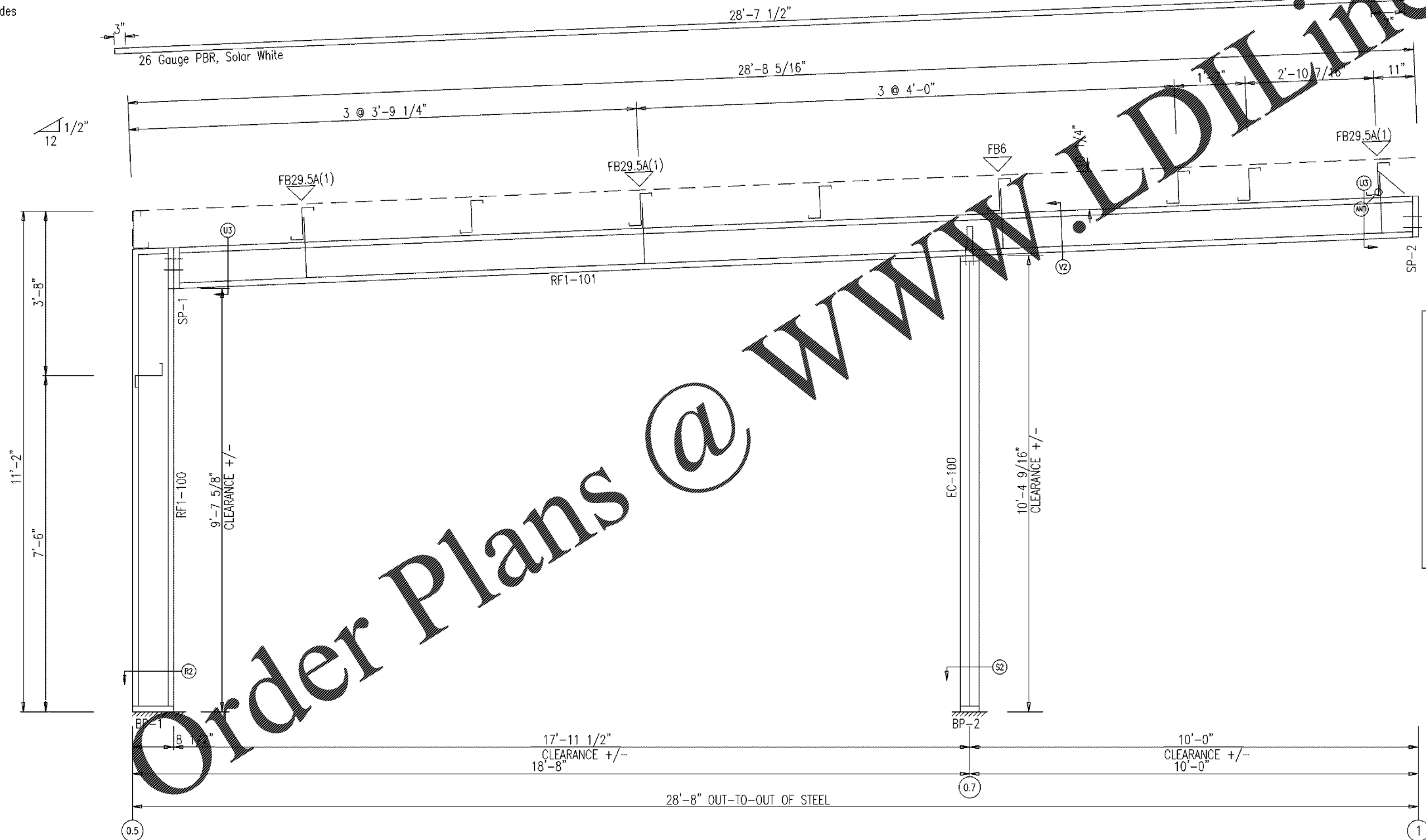
BASE PLATE TABLE			
Col Mark	Width	Plate Size Thick	Length
BP-1	6"	3/8"	8 1/2"
BP-2	6"	3/8"	8"

ALTERNATE MEMBER		
Frame Line	OID	Mark

GENERAL NOTES
 FRAME CLEARANCES SHOWN ARE APPROXIMATE AND MAY VARY DUE TO CONDITIONS (DEFLECTION).
 VERTICAL CLEARANCE DIMENSIONS ARE FROM FINISHED FLOOR REFERENCE ELEVATION.

Mark	Web Depth		Web Plate		Outside Flange		Inside Flange	
	Start/End	Thick	Thick	Length	W x Thk x Length	W x Thk x Length	W x Thk x Length	
RF1-100	8.0/ 8.0	0.156	123.5		5 x 1/4" x 123.1 5 x 1/4" x 8.2	5 x 1/4" x 113.2		
RF1-101	8.0/ 8.0	0.156	240.0		5 x 1/4" x 240.0	5 x 1/4" x 240.0		
EC-100	W8x10	0.156	95.2		5 x 1/4" x 94.9	5 x 1/4" x 94.9		

FLANGE BRACES: FBxx (1 or 2)
 xx=length(in)
 (1) One Side; (2) Two Sides
 A - L2X2X1/4G
 FB6 - L2X2X1/8"



Order Plans @ WWW.LDILine.com

RIGID FRAME ELEVATION: FRAME LINE B B.3

Revision	Date	Description
0	05/22/20	FOR ERECTOR INSTALLATION

MESCO Building Solutions
 5244 Bear Creek Court
 Irving, TX 75061
 Voice 214-667-9999 Fax 214-667-9737

Customer:
 CROSS DEVELOPMENT LLC
 4336 MARSH RIDGE RD
 CARROLLTON, TX 75010-4447 US
 MEGAN WEREN

Project Name & Location:
 CC FIVE FORKS SC
 CROSS DEVELOPMENT
 1215 E BUTLER RD
 GREENVILLE, SC 29607-9911 US

Drawing Status:
 Preliminary (Not For Construction)
 For Approval (Not For Construction)
 For Erector Installation

Scale: NOT TO SCALE
 Drawn by: BNS 05/22/20
 Checked by: PNR 05/22/20
 Project Engineer: SH
 Job Number: 17-B-60327
 Sheet Number: E25

The engineer whose seal appears hereon is an employee for the manufacturer for the materials described herein. Said seal or certification is limited to the products designed and manufactured by manufacturer only. The undersigned engineer is not the overall engineer of record for this project.

Drawing has been digitally signed.

Jason Speagle
 May 26, 2020

