

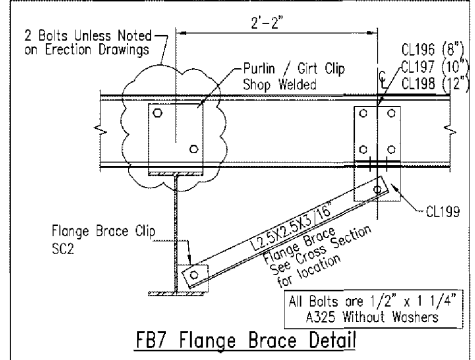
SPLICE PLATE & BOLT TABLE									
Mark	Qty Top	Qty Bot	Int	Type	Dia	Length	Width	Thick	Length
SP-1	4	4	0	A325	3/4"	2"	6"	1/2"	1'-10 3/4"
SP-2	4	4	0	A325	3/4"	1 3/4"	6"	3/8"	1'-10 3/4"

CAP PLATE BOLTS				
Mark	Qty	Type	Dia	Length
EC-10	4	A325	1/2"	1 1/2"
EC-9	4	A325	1/2"	1 1/2"
EC-8	4	A325	1/2"	1 1/2"
EC-7	4	A325	1/2"	1 1/2"

STIFFENER TABLE				
Mark	Stiff Mark	Width	Plate Size Thick	Length
RF5-1	ST1	2 1/2"	1/4"	12"
RF5-2	ST2	2"	1/4"	15 15/16"
RF5-2	ST3	2"	1/4"	15 15/16"
RF5-3	ST4	2"	1/4"	15 15/16"
RF5-3	ST5	2"	1/4"	15 15/16"
RF5-4	ST6	2 1/2"	1/4"	12"

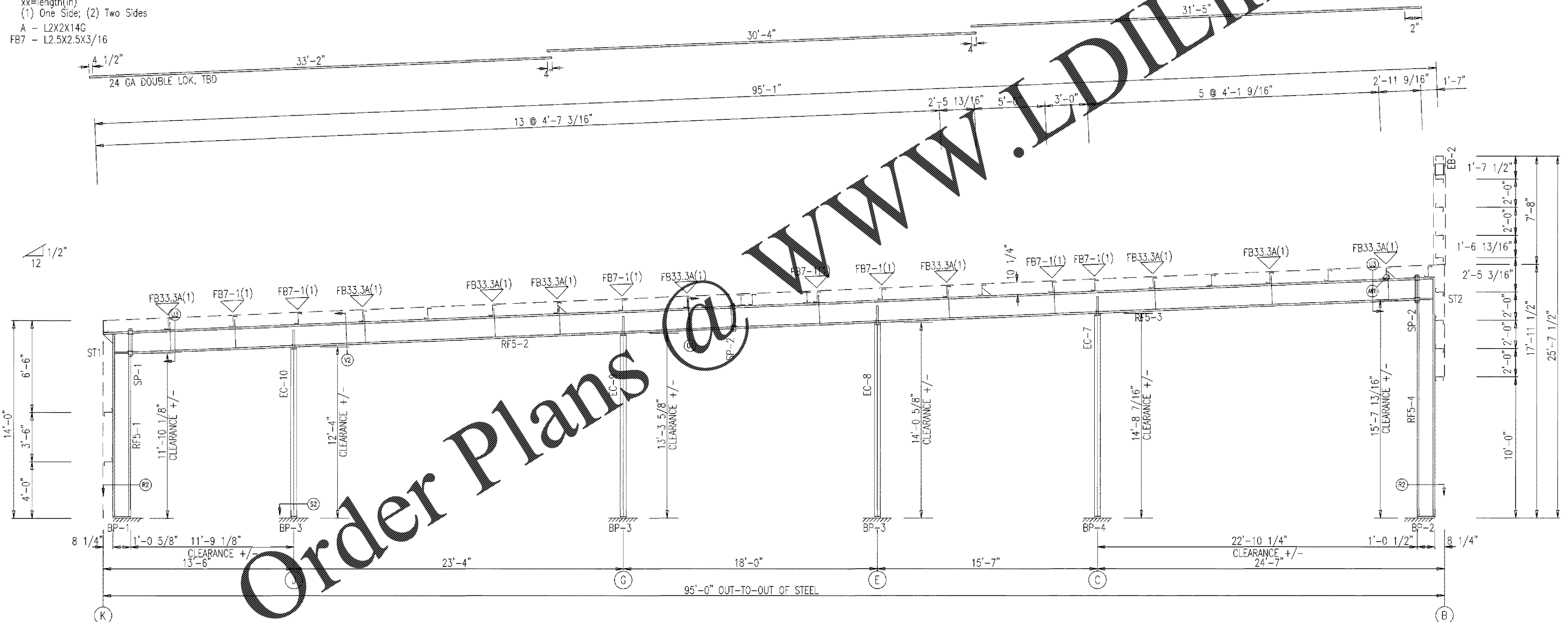
BASE PLATE TABLE			
Col Mark	Width	Plate Size Thick	Length
BP-1	6"	3/8"	1'-1"
BP-2	6"	3/8"	1'-0 1/2"
BP-3	6"	3/8"	8"
BP-4	8"	3/8"	8"

GENERAL NOTES
 FRAME CLEARANCES SHOWN ARE APPROXIMATE AND MAY VARY DUE TO CONDITIONS (DEFLECTION).
 VERTICAL CLEARANCE DIMENSIONS ARE FROM FINISHED FLOOR REFERENCE ELEVATION.



MEMBER TABLE								
Mark	Web Depth		Web Plate		Outside Flange		Inside Flange	
	Start/End	Thick	Length	Thick	Length	W x Thk x Length	W x Thk x Length	
RF5-1	12.0/12.0	0.185	158.0	6 x 3/8"	157.5	6 x 1/4" x 20.6	6 x 1/4" x 138.2	
RF5-2	16.0/16.0	0.156	240.0	5 x 1/4"	240.0	5 x 1/4" x 240.0	5 x 1/4" x 240.0	
RF5-3	16.0/16.0	0.156	240.0	5 x 1/4"	240.0	5 x 1/4" x 240.0	5 x 1/4" x 240.0	
RF5-4	12.0/12.0	0.185	204.3	6 x 1/4"	204.3	6 x 1/4" x 12.3	6 x 1/4" x 184.0	
EC-10				W8X13				
EC-9				W8X13				
EC-8				W8X13				
EC-7				W8X24				

FLANGE BRACES: FBxx (1 or 2)
 xx=length(in)
 (1) One Side; (2) Two Sides
 A - L2X2X1/4G
 FB7 - L2.5X2.5X3/16



RIGID FRAME ELEVATION: FRAME LINE 7

Rev	Date	Description
0	05/22/20	FOR ERECTOR INSTALLATION

Project Name & Location: CC FIVE FORKS SC CROSS DEVELOPMENT 1215 F HULLER RD GREENVILLE, SC 29607-5911 US
 Customer: CROSS DEVELOPMENT LLC 4336 MARSH RIDGE RD CARROLLTON, TX 75010-4447 US
 MEACAN VIEREN
 Drawing Status: Preliminary For Approval For Construction For Erector Installation

Scale: NOT TO SCALE
 Drawn by: BNS 05/22/20
 Checked by: PNR 05/22/20
 Project Engineer: SH
 Job Number: 17-B-60327
 Sheet Number: E24

The engineer whose seal appears hereon is an employee for the manufacturer for the materials described herein. Said seal or certification is limited to the products designed and manufactured by manufacturer only. The undersigned engineer is not the overall engineer of record for this project.

Drawing has been digitally signed.

Jason Speagle
 May 26, 2020

