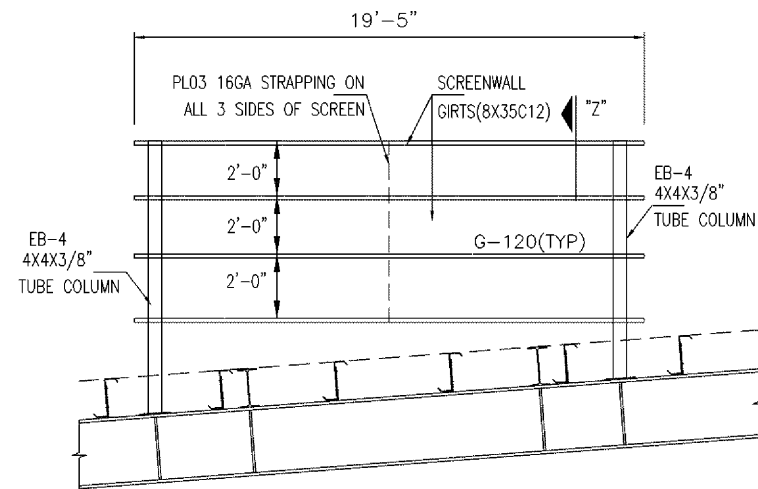
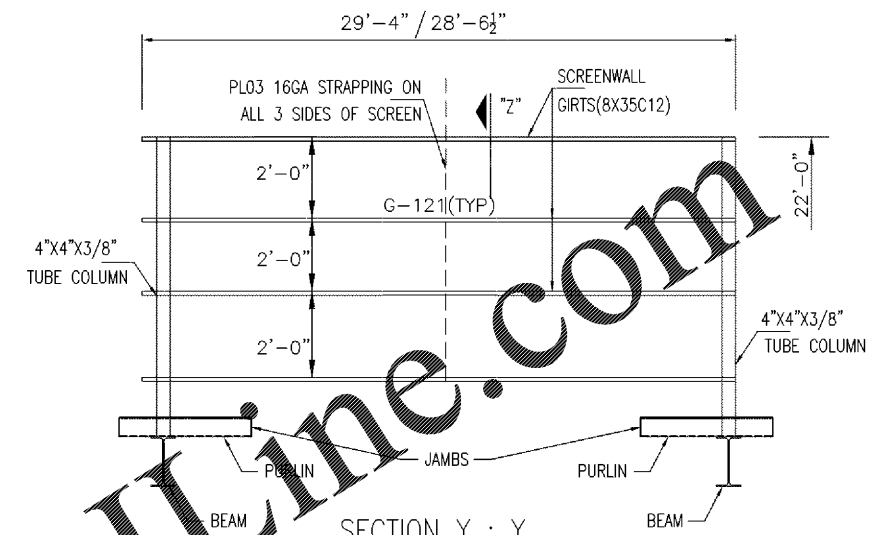


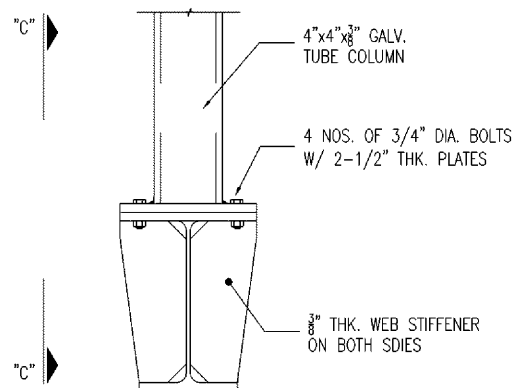
PLAN VIEW @ SCREENWALLS (TYP)



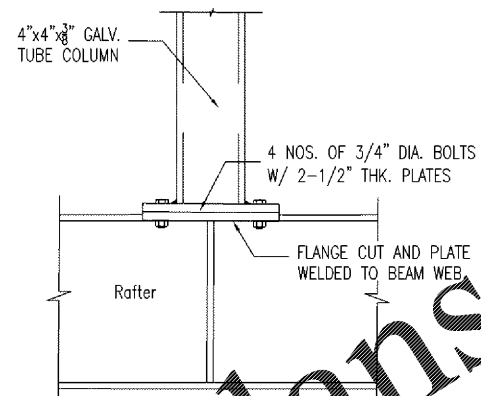
SECTION X : X



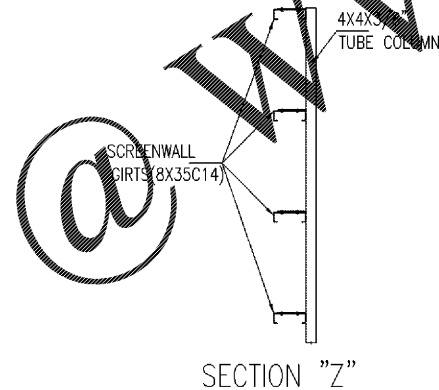
SECTION Y : Y



SCREEN WALL POST TO BEAM CONNECTION



NEW C-C



SECTION "Z"

Order Plans

@

WWW.LDILINE.COM

Rev	Date	Description
0	05/22/20	FOR ERECTOR INSTALLATION

MESCO Building Solutions
 Irving, TX 75061
 5244 Bear Creek Court
 Voice 214-687-9999 Fax 214-687-9737

Customer:
 CROSS DEVELOPMENT LLC
 4336 MARSH RIDGE RD
 CARROLLTON, TX 75010-4447 US
 MEGAN VIEREN

Project Name & Location:
 CC FIVE FORKS SC
 CROSS DEVELOPMENT
 1215 E BUTLER RD
 GREENVILLE, SC 29607-5911 US

Drawing Status:
 Preliminary
 For Approval
 For Construction Permit
 For Erector Installation

Scale: NOT TO SCALE
 Drawn by: BNS 05/22/20
 Checked by: PNR 05/22/20
 Project Engineer: SH
 Job Number: 17-B-60327
 Sheet Number: E18

The engineer whose seal appears hereon is an employee for the manufacturer for the materials described herein. Said seal or certification is limited to the products designed and manufactured by manufacturer only. The undersigned engineer is not the overall engineer of record for this project.

Drawing has been digitally signed.

Jason Speagle
 May 26, 2020