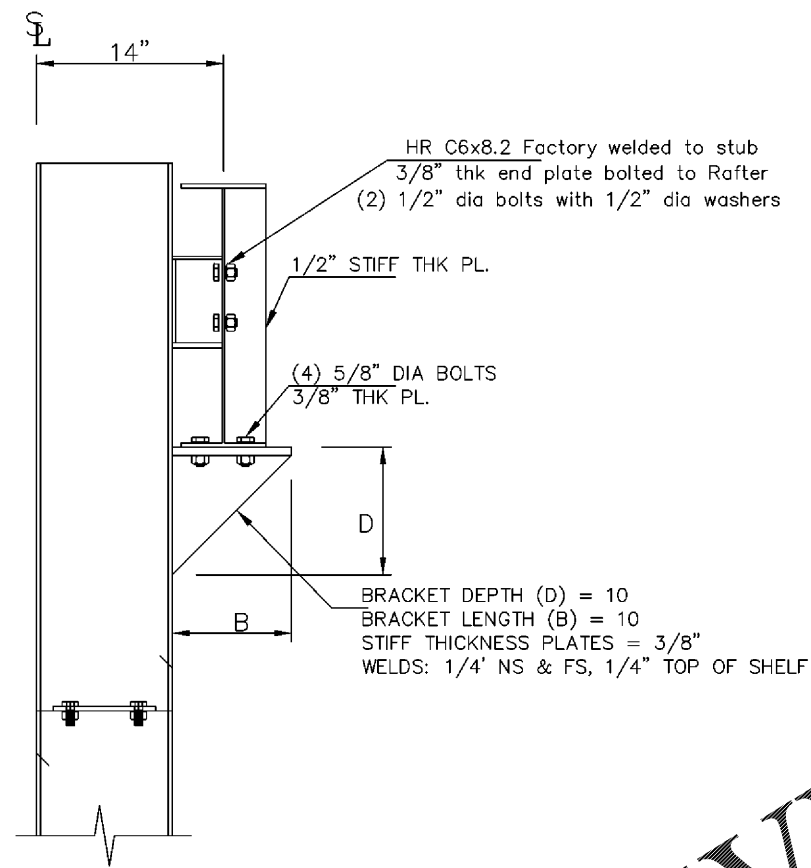
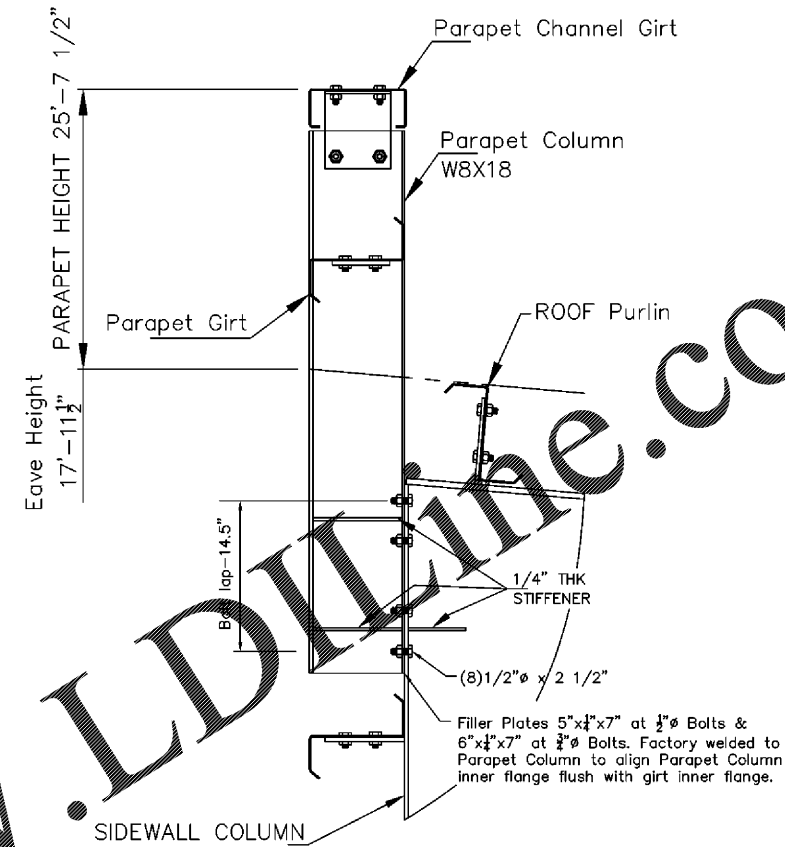


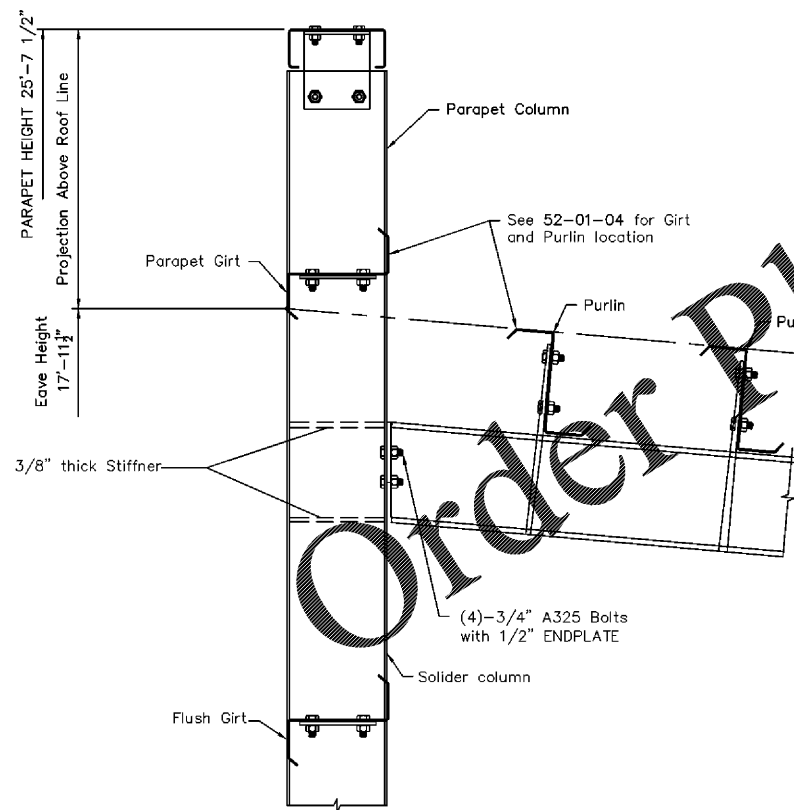
Parapet at Corner Column
Along grid line-7 at column line B



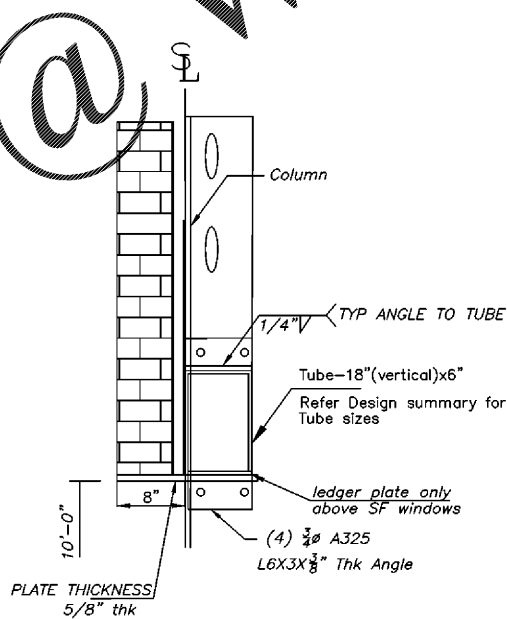
Along GL-7 at Column line C,E,G & J



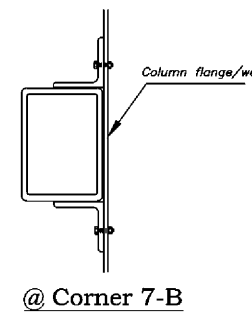
SIDEWALL PARAPET WITH BYPASS GIRT
ALONG GL-"B" AT GL 7



HIGH SIDEWALL SOLDIER COLUMN LINE-B AT 6.4



Along GL-B b/w lines 6.4 to 7 & Along
GL-7 b/w B to C



@ Corner 7-B

Rev	Date	Description
0	05/22/20	FOR ERECTOR INSTALLATION

MESCO Building Solutions 5244 Bear Creek Court Irving, TX 75061 Voice 214-687-9999 Fax 214-687-9737	Customer: CROSS DEVELOPMENT LLC 4336 MARSH RIDGE RD CARROLLTON, TX 75010-4447 US MEAGAN WIEREN	Project Name & Location: CC FIVE FORKS SC CROSS DEVELOPMENT 1215 E BUTLER RD GREENVILLE, SC 29607-5911 US
Job Number: 17-B-60327 Sheet Number: E15	<input type="checkbox"/> Preliminary <input type="checkbox"/> Final For Construction <input type="checkbox"/> For Approval <input checked="" type="checkbox"/> For Construction Permit <input type="checkbox"/> For Erector Installation	Scale: NOT TO SCALE Drawn by: BNS 05/22/20 Checked by: PNR 05/22/20 Project Engineer: SH

Drawing has been digitally signed.

Jason Speagle
May 26, 2020