

SCHEDULE OF FASTENERS

NO. REQD	DESCRIPTION	COLOR
#28	12-14 x 2" SD Screw, Washer	STANDARD TBD
#4A	1/4-14 x 7/8 SD Screw, Washer	STANDARD TBD

BEARING FRAME ONLY!

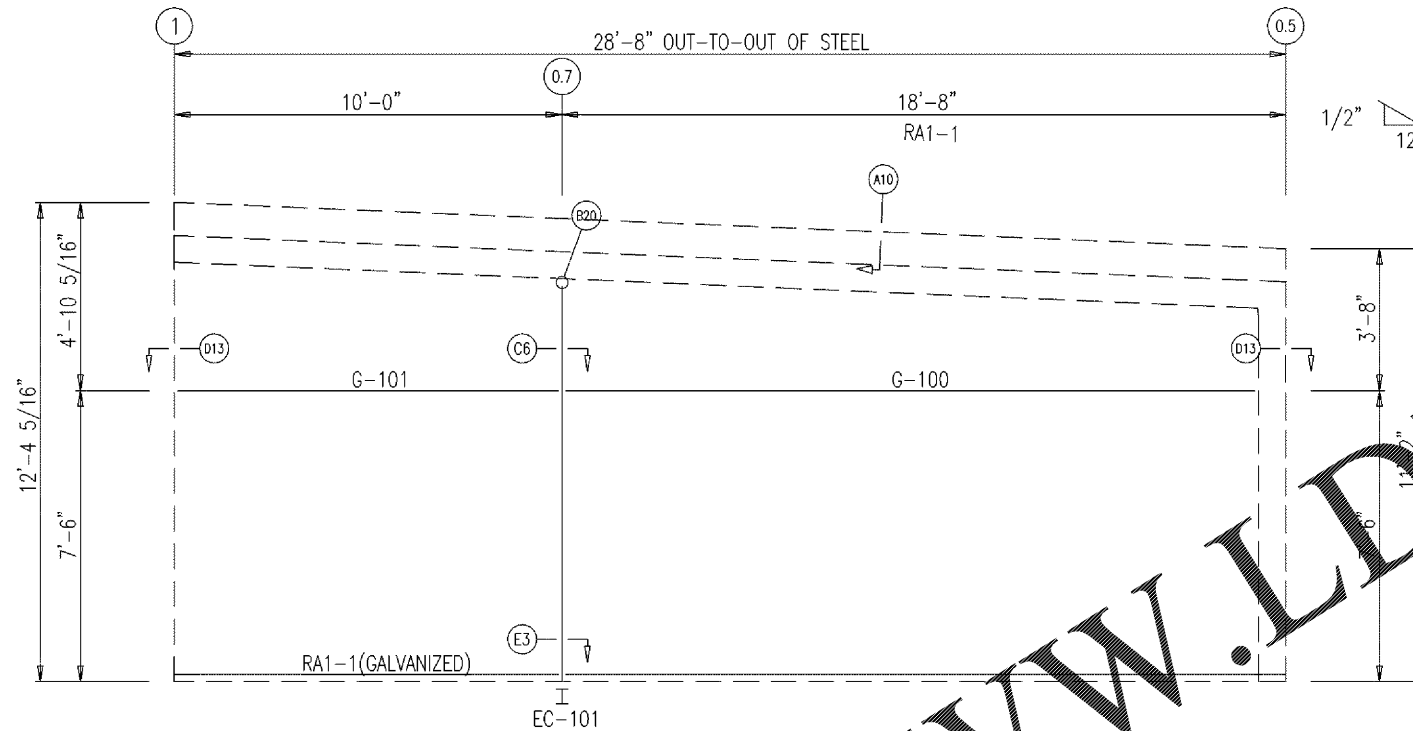
WASHER TO BE USED AT ENDWALL COLUMN TO ENDWALL RAFTER CONNECTION. USE ONE WASHER ON COLUMN SIDE. WASHER NOT NEEDED ON CLIP SIDE.

BOLT TABLE

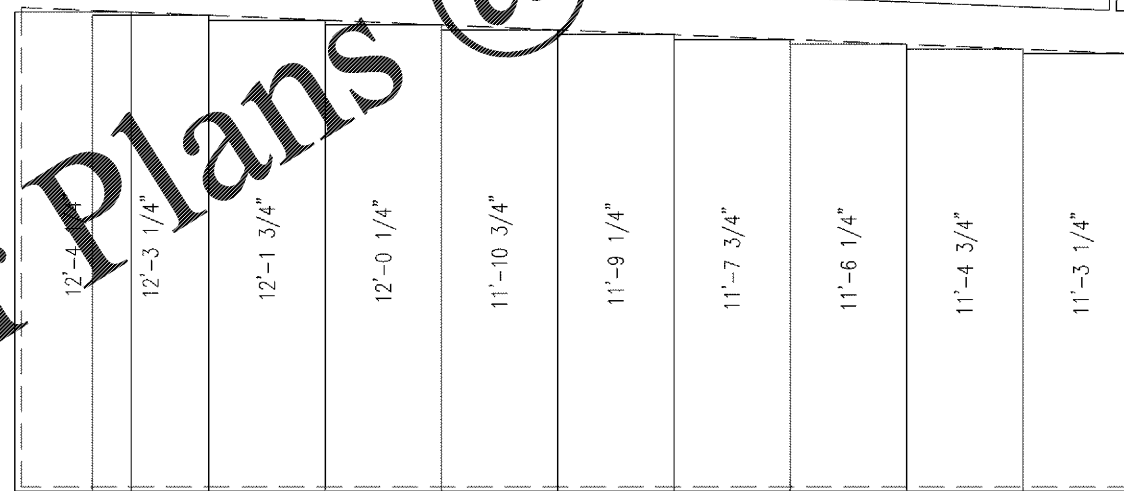
LOCATION	QUAN	TYPE	DIA	LENGTH
Columns/Raf	4	A325	1/2"	1 1/4"

MEMBER TABLE

MARK	PART	LENGTH
EC-101	w8X10	10'-4 5/8"
G-100	8X25Z14	17'-6 1/2"
G-101	8X25Z16	9'-7 3/4"



ENDWALL FRAMING: FRAME LINE B.3



Order Plans @ WWW.LDILine.com

PBR WALL PANELS
PANEL COVERAGE = 3'-0"
COLOR = STANDARD TBD

FIELD CUT PANELS AS REQUIRED

ENDWALL SHEETING & TRIM: FRAME LINE B.3

PANELS: 26 Gauge PBR - STANDARD TBD

Rev	Date	Description
0	05/22/20	FOR ERECTOR INSTALLATION

MESCO Building Solutions
 5244 Bear Creek Court
 Irving, TX 75061
 Voice 214-667-9999 Fax 214-667-9737

Customer:
 CROSS DEVELOPMENT LLC
 4336 MARSH RIDGE RD
 CARROLLTON, TX 75010-4447 US
 MEGAN WEREN

Drawing Status:
 Preliminary
 For Approval
 For Construction Permit
 For Erector Installation

Project Name & Location:
 CC FIVE FORKS SC
 CROSS DEVELOPMENT
 1215 E BUTLER RD
 GREENVILLE, SC 29607-5911 US

Scale: NOT TO SCALE
 Drawn by: BNS 05/22/20
 Checked by: PNR 05/22/20
 Project Engineer: SH
 Job Number: 17-B-60327
 Sheet Number: E11

The engineer whose seal appears hereon is an employee for the manufacturer for the materials described herein. Said seal or certification is limited to the products designed and manufactured by manufacturer only. The undersigned engineer is not the overall engineer of record for this project.

Drawing has been digitally signed.

Jason Speagle
May 26, 2020

