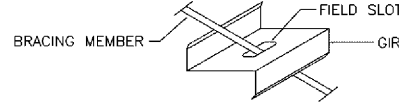


**SCHEDULE OF FASTENERS**

NO. REQD	DESCRIPTION	COLOR
#28	12-14 x 2" SD Screw, Washer	STANDARD TBD
#4A	1/4-14 x 7/8 SD Screw, Washer	STANDARD TBD

**SPECIAL NOTE AT FLUSH GIRTS CONDITIONS**

IF FLUSH FRAMED GIRTS ARE LOCATED IN BRACED BAYS AND INTERFERE WITH THE BRACING MEMBER THE GIRTS MUST BE FIELD SLOTTED TO ALLOW PASSAGE OF THE BRACING MEMBER. SEE PFO2009 FOR SIMILAR DETAILS.



**BEARING FRAME ONLY!**

WASHER TO BE USED AT ENDWALL COLUMN TO ENDWALL RAFTER CONNECTION. USE ONE WASHER ON COLUMN SIDE. WASHER NOT NEEDED ON CLIP SIDE.

**FLANGE BRACE TABLE**

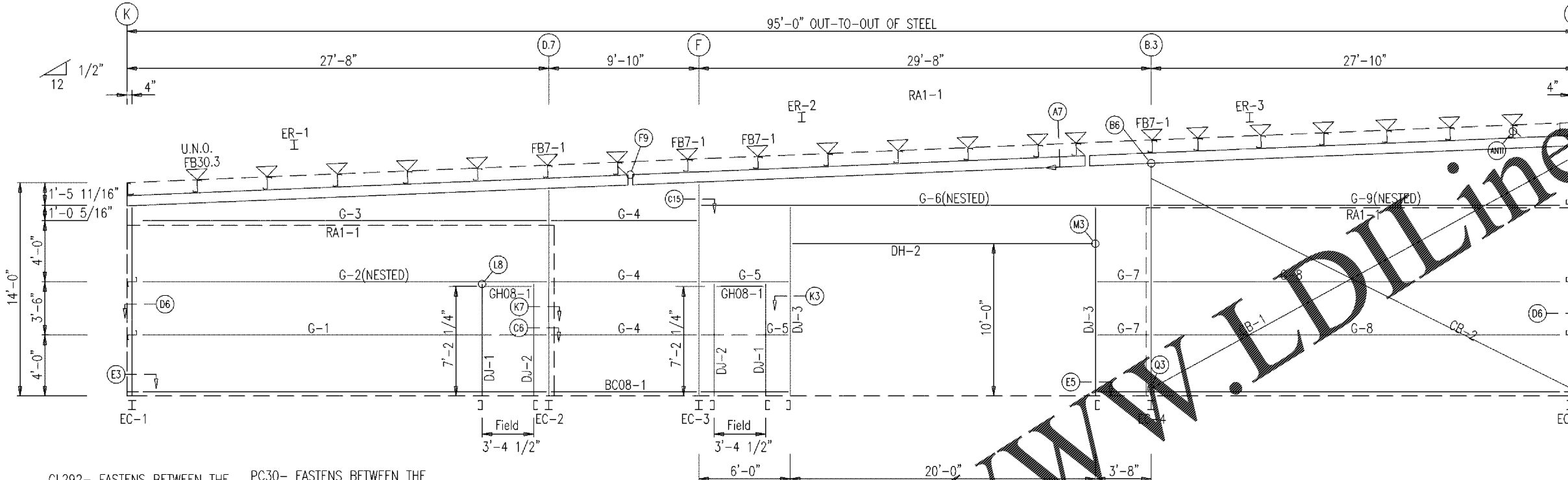
ID	PART	LENGTH
FB30.3	L2X2X14G	2'-6 1/4"
FB7-1	L2.5X2.5X3/16	2'-6 1/4"

**BOLT TABLE**

LOCATION	QUAN	TYPE	DIA	LENGTH
ER-1/ER-2	8	A325	5/8"	1 3/4"
ER-2/ER-3	8	A325	5/8"	1 3/4"
Columns/Raf	4	A325	5/8"	1 3/4"

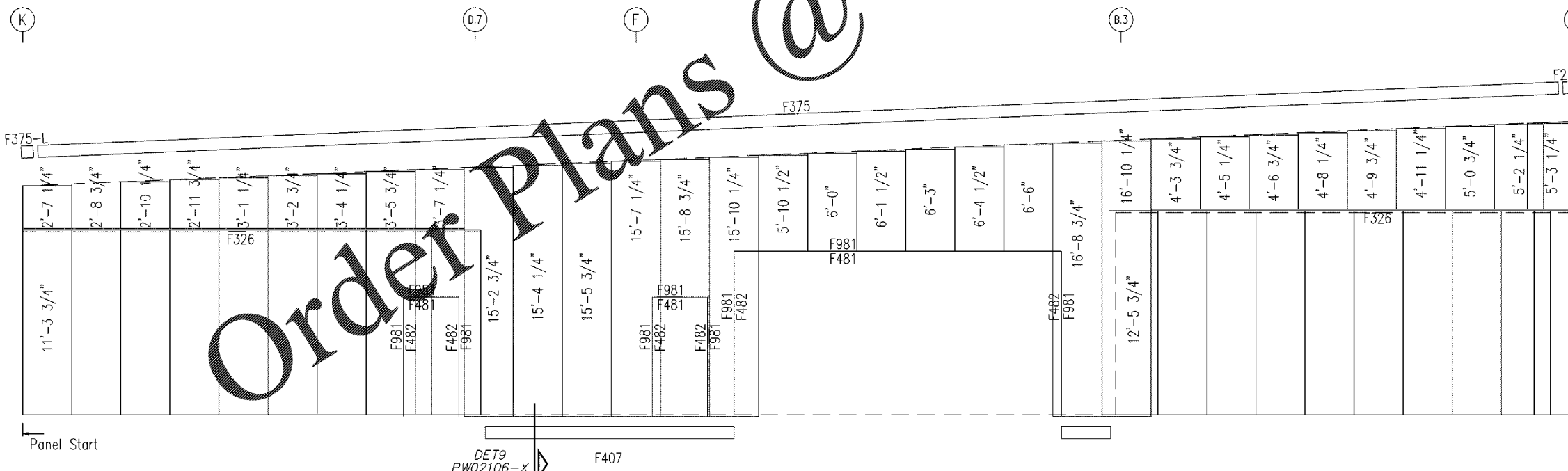
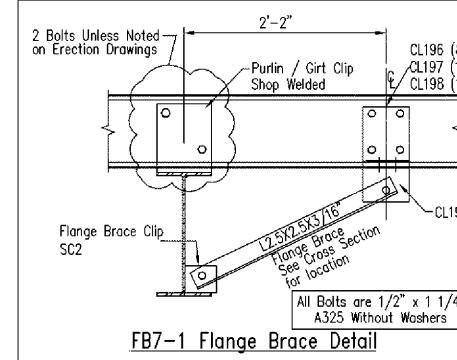
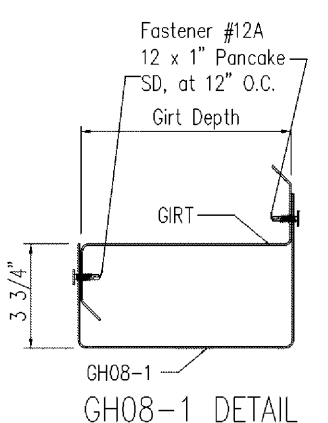
**MEMBER TABLE**

MARK	PART	LENGTH
EC-1	W8X18	12'-3 1/16"
EC-2	W8X18	13'-4 7/16"
EC-3	W8X10	13'-9 3/8"
EC-4	W8X18	15'-0 3/16"
EC-5	W8X18	16'-1 11/16"
ER-1	110X17	33'-0 3/16"
ER-2	110X17	30'-0"
ER-3	110X17	32'-0 5/16"
DJ-1	8f35C14	7'-6"
DJ-2	8f35C14	7'-6"
DJ-3	8f35C14	12'-6 5/16"
GH08-1	GH08	3'-4 1/2"
DH-2	8f35C14	20'-0"
G-1	8X25Z14	26'-1 1/4"
G-2	8X25Z16	26'-1 1/4"
G-3	8X25Z12	26'-1 1/4"
G-4	8X25Z16	9'-2"
G-5	8X25Z16	5'-4 1/4"
G-6	8X25Z12	29'-0"
G-7	8X25Z16	3'-0 1/4"
G-8	8X25Z12	26'-3 1/4"
G-9	8X25Z14	26'-3 1/4"
CB-1	1/2" DIA. ROD	31'-5"
CB-2	1/2" DIA. ROD	30'-10"



CL292- FASTENS BETWEEN THE GIRTS ON EACH SIDE OF THE SIDEWALL COLUMNS, AT ALL GIRTS ELEVATIONS. REFER TO DETAILS.

PC30- FASTENS BETWEEN THE GIRTS ON EACH SIDE OF THE SIDEWALL COLUMNS, AT ALL GIRTS ELEVATIONS. REFER TO DETAILS.



PBR WALL PANELS  
PANEL COVERAGE = 3'-0"  
COLOR = STANDARD TBD

FIELD CUT PANELS AS REQUIRED

**ENDWALL SHEETING & TRIM: FRAME LINE 1**  
PANELS: 26 Gauge PBR - STANDARD TBD

CK'd	PNR	Description
	BNS	FOR ERECTOR INSTALLATION
		DATE: 05/22/20
		REVISION: 0

**MESCO Building Solutions**  
5244 Bear Creek Court  
Irving, TX 75061  
Voice: 214-667-9999 Fax: 214-667-9737

**Customer:**  
CROSS DEVELOPMENT LLC  
4336 MARSH RIDGE RD  
CARROLLTON, TX 75010-4447 US  
MEAGAN WEREN

**Project Name & Location:**  
CC FIVE FORKS SC  
CROSS DEVELOPMENT  
1215 E BUTLER RD  
GREENVILLE, SC 29607-9911 US

**Drawing Status:**  
 Preliminary  
 For Approval  
 For Erection  
 For Construction Permit  
 For Erector Installation

Scale: NOT TO SCALE  
Drawn by: BNS 05/22/20  
Checked by: PNR 05/22/20  
Project Engineer: SH  
Job Number: 17-B-60327  
Sheet Number: E7

The engineer whose seal appears hereon is an employee for the manufacturer for the materials described herein. Said seal or certification is limited to the products designed and manufactured by manufacturer only. The undersigned engineer is not the overall engineer of record for this project.

Drawing has been digitally signed.

Jason Speagle  
May 26, 2020

SOUTH CAROLINA  
Professional Engineer  
No. 26802  
JASON SPEAGLE