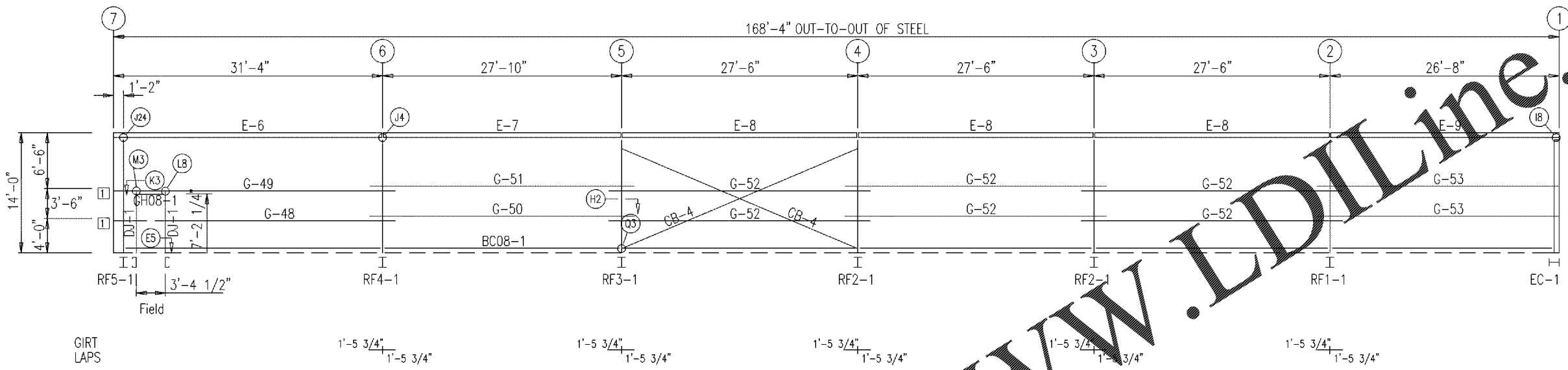


SCHEDULE OF FASTENERS

NO. REQD	DESCRIPTION	COLOR
#28	12-14 x 2" SD Screw, Washer	STANDARD TBD
#4A	1/4-14 x 7/8 SD Screw, Washer	STANDARD TBD

MEMBER TABLE		
FRAME LINE K		
MARK	PART	LENGTH
DJ-1	8F35C14	7'-6"
GH08-1	GH08	3'-4 1/2"
E-6	10ES1L14	31'-3 1/2"
E-7	10ES1L14	27'-9 1/2"
E-8	10ES1L14	27'-5 1/2"
E-9	10ES1L14	26'-7 1/2"
G-48	8X25Z16	32'-9 1/2"
G-49	8X25Z12	32'-9 1/2"
G-50	8X25Z16	30'-9 1/2"
G-51	8X25Z13	30'-9 1/2"
G-52	8X25Z16	30'-5 1/2"
G-53	8X25Z18	28'-1 1/2"
CB-4	1" DIA. RO	30'-9"

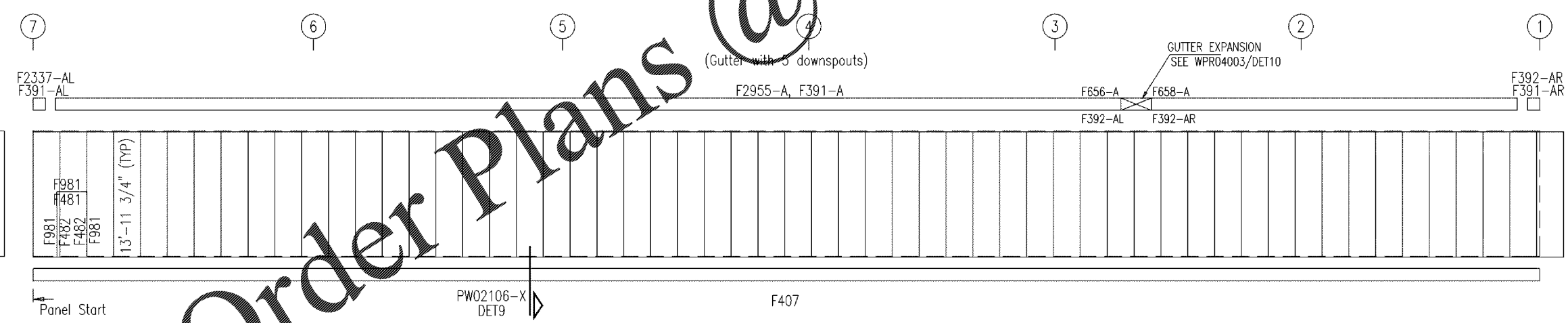
CONNECTION PLATES	
FRAME LINE K	
ID	MARK/PART
1	SC5



CL292- FASTENS BETWEEN THE GIRTS ON EACH SIDE OF THE SIDEWALL COLUMNS, AT ALL GIRT ELEVATIONS. REFER TO DETAILS.

PC30- FASTENS BETWEEN THE GIRTS ON EACH SIDE OF THE SIDEWALL COLUMNS, AT ALL SIDEWALL COLUMNS, AT ALL GIRT ELEVATIONS. REFER TO DETAILS.

SIDEWALL FRAMING: FRAME LINE K



PBR WALL PANELS  
 PANEL COVERAGE = 3'-0"  
 COLOR = STANDARD TBD

FIELD CUT PANELS AS REQUIRED

SIDEWALL SHEETING & TRIM: FRAME LINE K  
 PANELS: 26 Gauge PBR - STANDARD TBD

Rev	Date	Description
0	05/22/20	FOR ERECTOR INSTALLATION

Project Name & Location:  
 CC FIVE FORKS SC  
 CROSS DEVELOPMENT  
 1215 E BUTLER RD  
 GREENVILLE, SC 29607-9911 US

Customer:  
 CROSS DEVELOPMENT LLC  
 4386 MARSH RIDGE RD  
 CARROLLTON, TX 75010-4447 US  
 MEGAN WEREN

Drawing Status:  
 Preliminary  
 For Approval  
 For Construction

Scale: NOT TO SCALE  
 Drawn by: BNS 05/22/20  
 Checked by: PNR 05/22/20  
 Project Engineer: SH  
 Job Number: 17-B-60327  
 Sheet Number: E6

The engineer whose seal appears hereon is an employee for the manufacturer for the materials described herein. Said seal or certification is limited to the products designed and manufactured by manufacturer only. The undersigned engineer is not the overall engineer of record for this project.

Drawing has been digitally signed.

Jason Speagle  
 May 26, 2020

