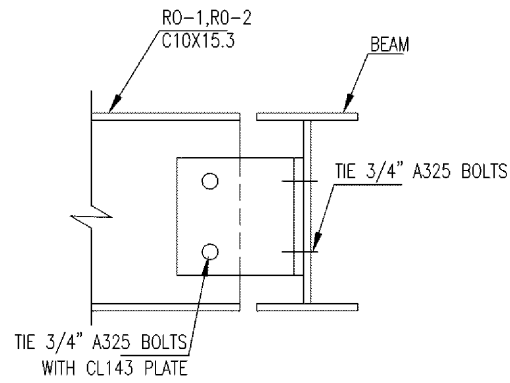
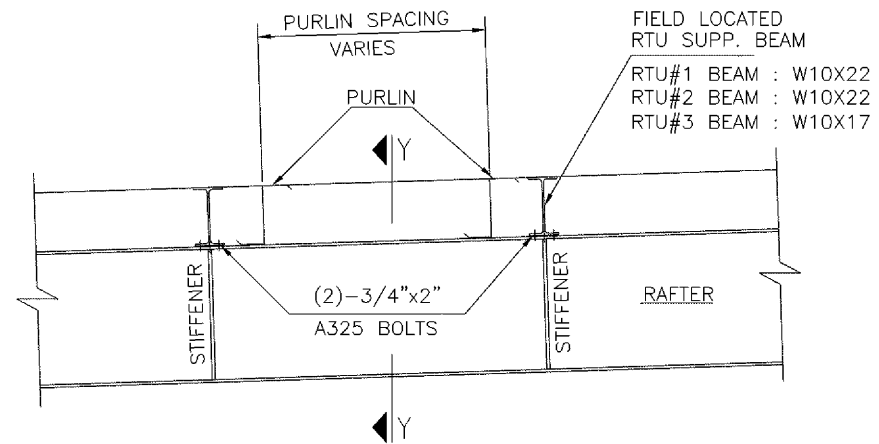


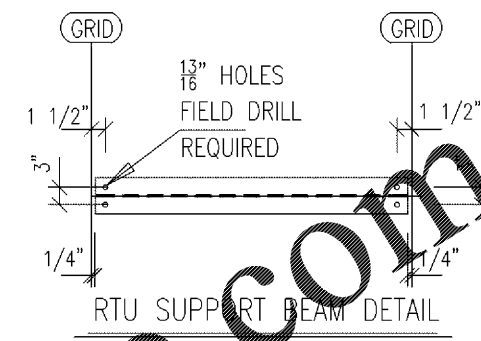
BEAM DETAIL  
SECTION Y : Y



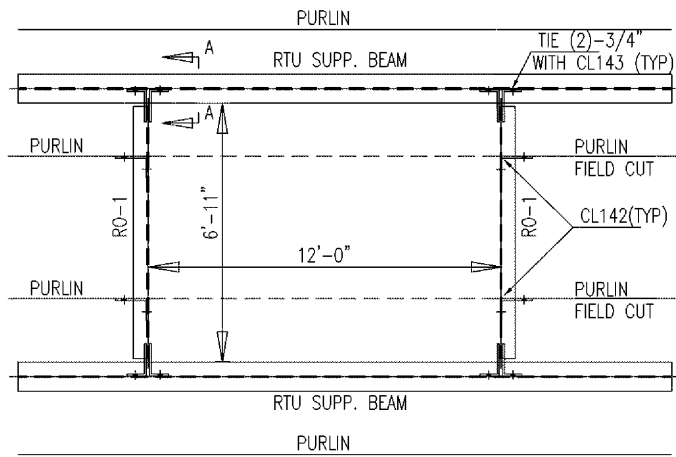
SECTION A : A



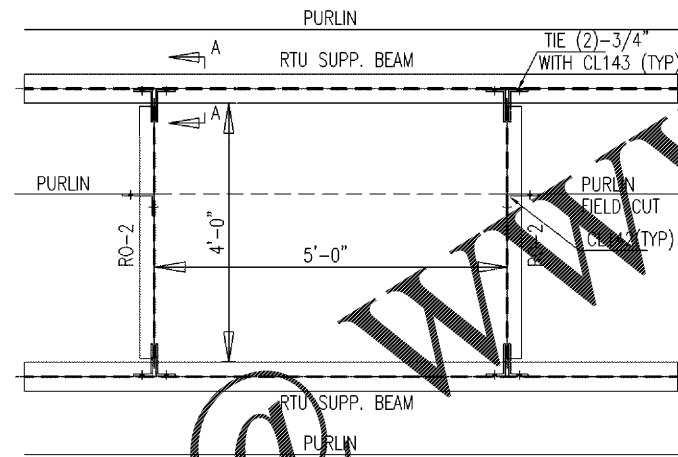
TYPICAL DETAIL -X/E1



RTU SUPPORT BEAM DETAIL



RTU-1 & RTU-2 SUPPORT BEAM CONNECTION DETAIL



RTU-3 SUPPORT BEAM CONNECTION DETAIL

Order Plans @

WWW.LDILine.com

Ch'd	PNR	BNS	Description	Date	Revision
			FOR ERECTOR INSTALLATION	05/22/20	0

**MESCO Building Solutions**  
 5244 Bear Creek Court  
 Irving, TX 75061  
 Voice 214-667-9999 Fax 214-667-9737

**Customer:**  
 CROSS DEVELOPMENT LLC  
 4336 MARSH RIDGE RD  
 CARROLLTON, TX 75010-4447 US  
 MEGAN WEREN

**Project Name & Location:**  
 CC FIVE FORKS SC  
 CROSS DEVELOPMENT  
 1215 E BUTLER RD  
 GREENVILLE, SC 29607-5911 US

**Drawing Status:**  
 Preliminary  
 For Approval  
 For Construction  
 For Erector Installation

Scale: NOT TO SCALE  
 Drawn by: BNS 05/22/20  
 Checked by: PNR 05/22/20  
 Project Engineer: SH  
 Job Number: 17-B-60327  
 Sheet Number: E2

The engineer whose seal appears hereon is an employee for the manufacturer for the materials described herein. Said seal or certification is limited to the products designed and manufactured by manufacturer only. The undersigned engineer is not the overall engineer of record for this project.

Drawing has been digitally signed.

Jason Speagle  
 May 26, 2020

