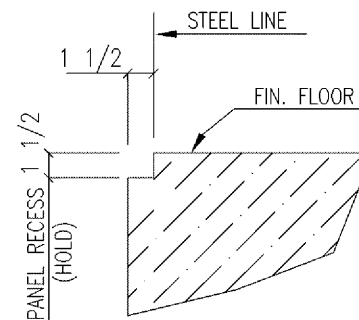


Anchor Rod Drawings

- 1) This drawing is for anchor rod placement only and is not foundation design.
- 2) Foundation must be square and level with all anchor rods true in size, location, and projection.
- 3) Projection shown must be held to keep threads clear of finished concrete.
- 4) This structural design data includes magnitude and location of design loads and support conditions, material properties, and type and size of major structural members necessary to show compliance with the Order Documents at the time of this issue. Any change to building loads or dimensions may change structural member sizes and locations shown. This structural design data will be superseded and voided by any future mailing.
- 5) Anchor rod size is determined by shear and tension at the bottom of the base plate. The length of the anchor rod and method of load transfer to the foundation are to be determined by the foundation engineer, and are not provided by the manufacturer.
- 6) Anchor rods are ASTM F1554 Gr. 36 material unless noted otherwise.

ANCHOR BOLT PLAN
NOTE: All Base Plates @ 100'-0" (U.N.)

NOTE: ALL BASE PLATES @ 100.0' (U.N.)
ASSUMED FINISH FLOOR @ 100.0' (U.N.)



CONCRETE NOTCH DETAIL

Revision	Date	Description
0	05/22/20	FOR ERECTOR INSTALLATION

MESCO Building Solutions 5244 Bear Creek Court Irving, TX 75061 Voice 214-667-9999 Fax 214-667-9737	Customer: CROSS DEVELOPMENT, LLC 4336 MARSH RIDGE RD. CARROLLTON, TX 75010-4447 US MEGAN WEREN	Project Name & Location: CC FIVE FORKS, SC CROSS DEVELOPMENT 1215 E BUTLER RD GREENVILLE, SC 29607-9911 US
<input type="checkbox"/> Preliminary <input type="checkbox"/> For Approval <input type="checkbox"/> (Not For Construction)	<input type="checkbox"/> For Construction Permit <input checked="" type="checkbox"/> For Erector Installation	

Scale:	NOT TO SCALE
Drawn by:	BNS 05/22/20
Checked by:	PNR 05/22/20
Project Engineer:	SH
Job Number:	17-B-60327
Sheet Number:	F1

The engineer whose seal appears hereon is an employee for the manufacturer for the materials described herein. Said seal or certification is limited to the products designed and manufactured by manufacturer only. The undersigned engineer is not the overall engineer of record for this project.

Drawing has been digitally signed.

Jason Spangle
May 26, 2020

