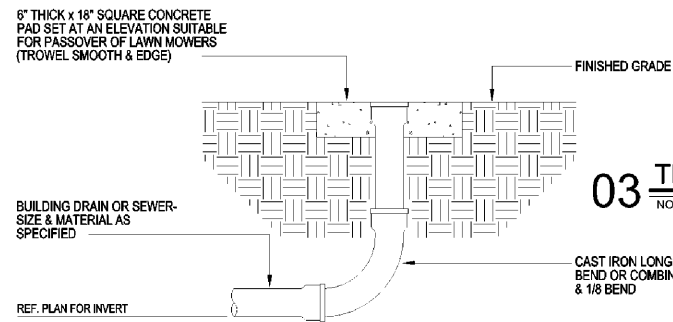
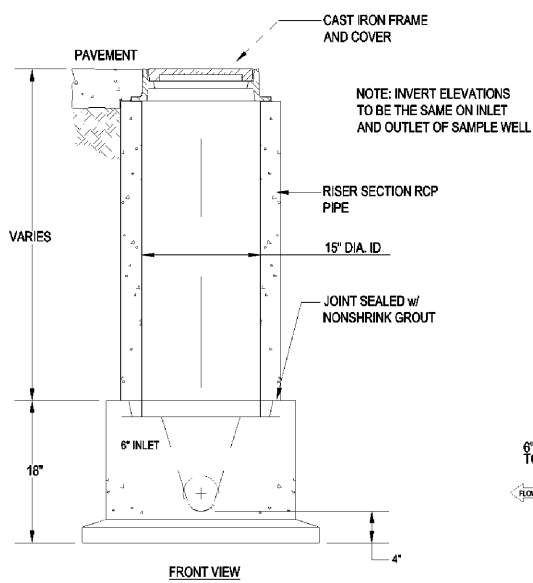


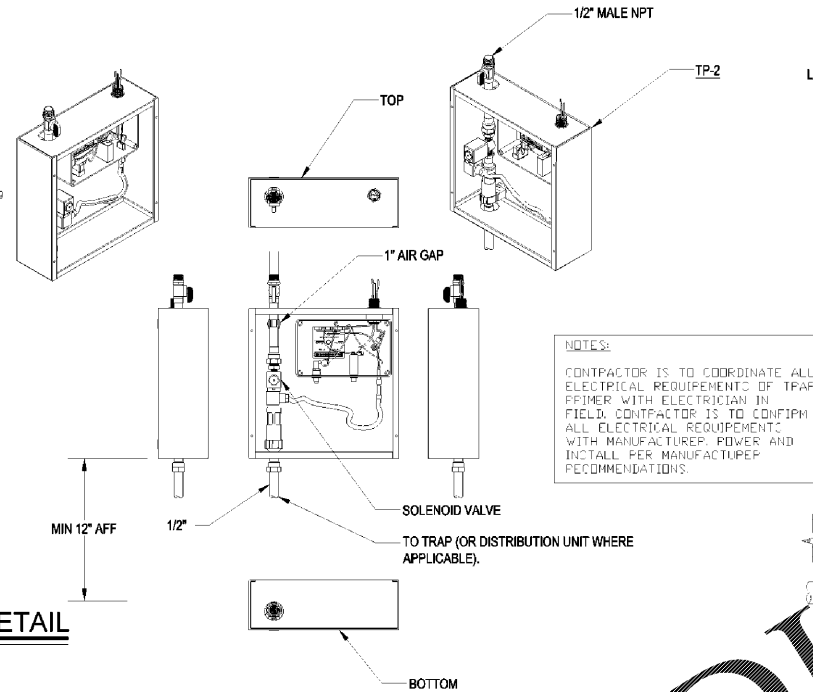
**01 GAS PRESSURE REGULATOR**  
NO SCALE



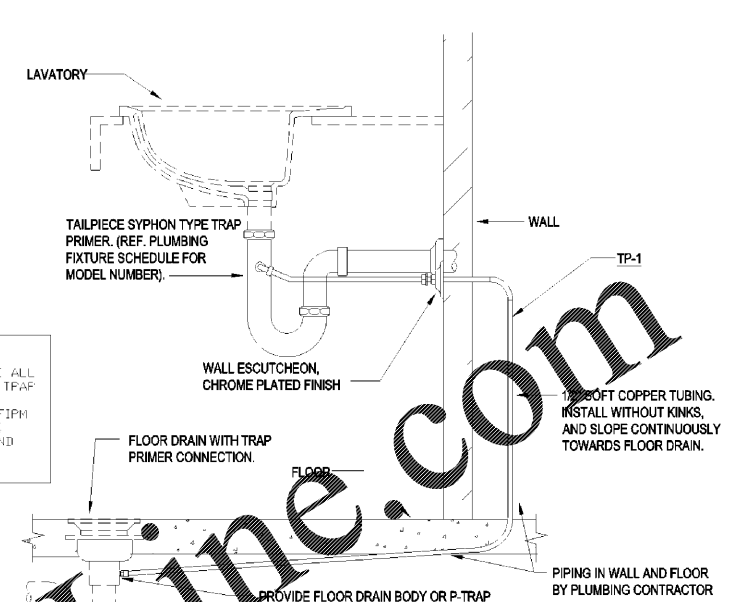
**02 GRADE CLEANOUT DETAIL**  
NO SCALE



**03 TRAP PRIMER CONNECTION DETAIL**  
NO SCALE



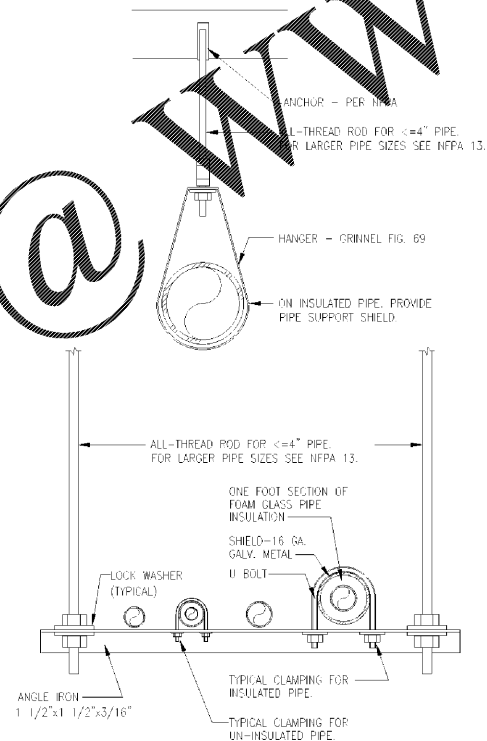
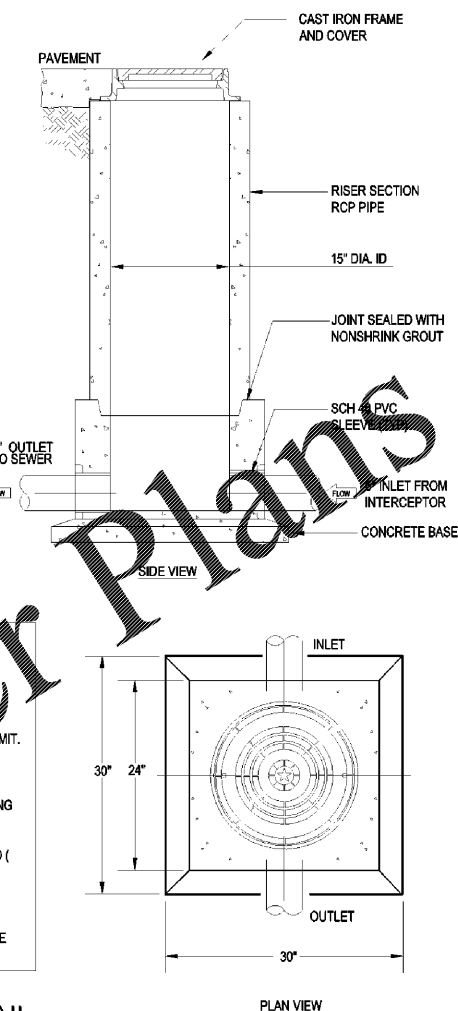
**04 ELECTRONIC TRAP PRIMER DETAIL**  
NO SCALE



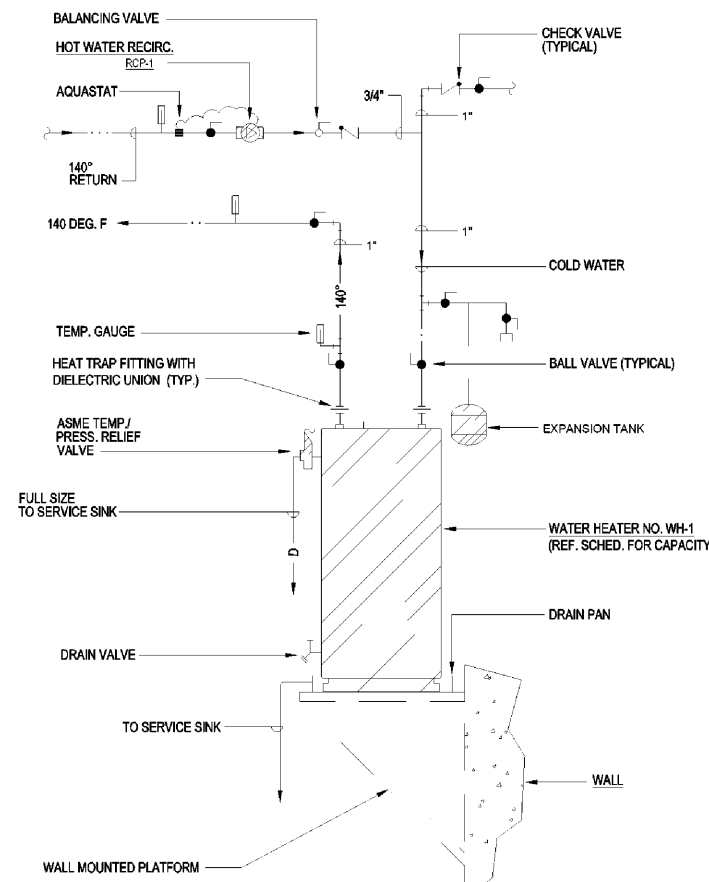
**05 GREY-WATER TRAP PRIMER DETAIL**  
NO SCALE

- GENERAL NOTES:**
1. SAMPLE WELL TO BE EQUAL TO PARK ENVIRONMENTAL MODEL SWB-166. VERIFY SAMPLE WELL REQUIREMENTS WITH INDUSTRIAL PRE-TREATMENT DEPARTMENT.
  2. SAMPLING WELL MUST BE INSTALLED UNDER A SEPARATE PERMITTING PERMIT.
  3. USE 15" T&G R.C.P. FOR INSTALLATION ON 6'-0" DEEP AND DEEPER.
  4. USE 24" T&G R.C.P. FOR INSTALLATION GREATER THAN 6'-0" DEEP. (STD RING AND M.H. COVER REQUIRED)
  5. SAMPLING WELL MUST BE SET IN A CIRCULAR OR SQUARE CONCRETE PAD (1'-0" GREATER THAN OUTSIDE DIAMETER OF PIPE.)
  6. LAWN INSTALLATION SHALL BE 4" ABOVE FINISHED GRADE.
  7. DRIVE & SIDEWALK INSTALLATION SHALL BE BROUGHT TO FINISHED GRADE

**06 SAMPLE WELL BASIN DETAIL**  
NO SCALE



**07 PIPE HANGER - DETAIL**  
NO SCALE



**08 WATER HEATER DETAIL WH-1**  
NO SCALE



**CLIENT NAME**  
Cross Development  
4336 Marsh Ridge  
Carrollton, TX 75010

**PROJECT NAME**  
Caliber Collision Five Forks (161)

**PROJECT NO.**  
220067

**DATE**  
07/08/2020

**DRAWN BY**  
BNA

**CHECKED BY**  
EAC

**SHEET TITLE**  
Plumbing Details

**07/08/2020**

**4**  
**Calderi & Peterson**  
Architects Engineers Planners  
ORLANDO • PHILADELPHIA

1925 Prospect Ave.  
Orlando, FL 32814  
P (407) 661-9100  
F (407) 661-9101  
www.c-p.com  
Florida Corporate Certificate #AA 0006336