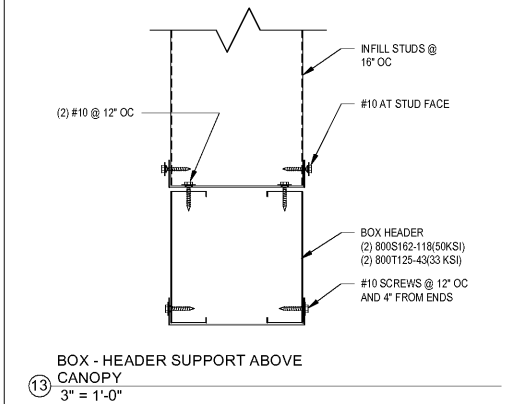
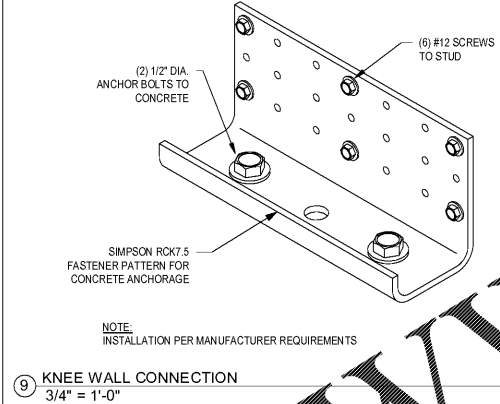


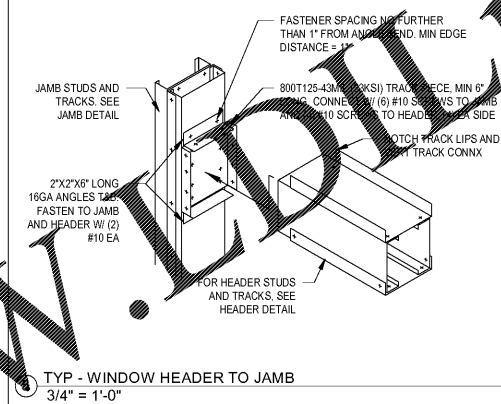
14 TYP. BUMP OUT AT CANOPY
1" = 1'-0"



10 STOREFRONT WALL OPENING BUMP OUT-ENTRANCE
1/4" = 1'-0"



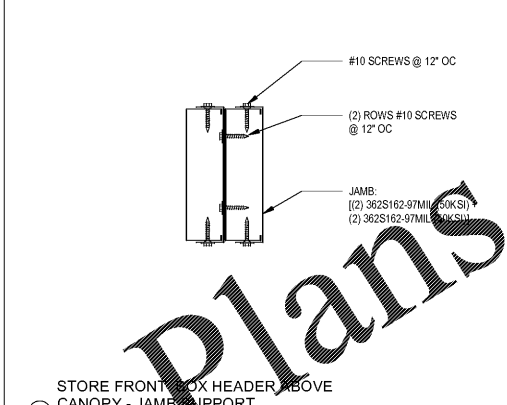
6 TYP - WINDOW SILL
3" = 1'-0"



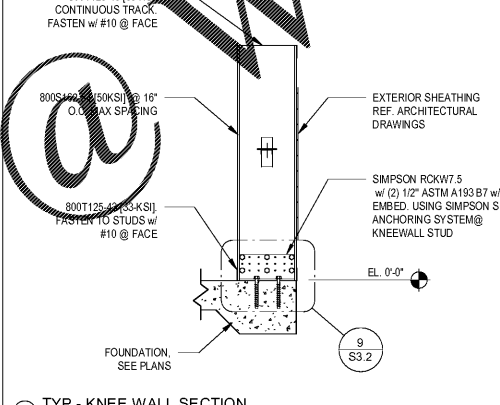
GENERAL NOTES

1. REFERENCE ARCHITECTURAL PLANS FOR FRAMING LOCATIONS AND OPENING REQUIREMENTS.
2. SEE GENERAL NOTES AND SPECIFICATIONS APPLICABLE TO THE DESIGN AND MATERIAL REQUIREMENTS OF THE DETAILED COMPONENTS.
3. DETAILS ARE GENERAL IN NATURE AND REPRESENT TYPICAL CONDITIONS THAT ARE THE SAME OR SIMILAR TO THOSE SPECIFICALLY DETAILED. DETAILS SHALL APPLY WHETHER OR NOT THEY ARE SPECIFICALLY KEYS AT EACH LOCATION. ENGINEER HAS FINAL AUTHORITY TO DETERMINE APPLICABILITY OF DETAILS.

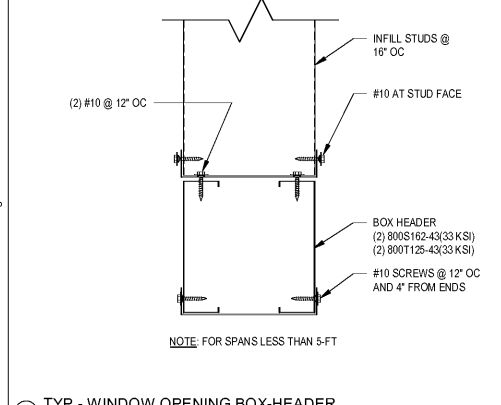
13 BOX - HEADER SUPPORT ABOVE CANOPY
3" = 1'-0"



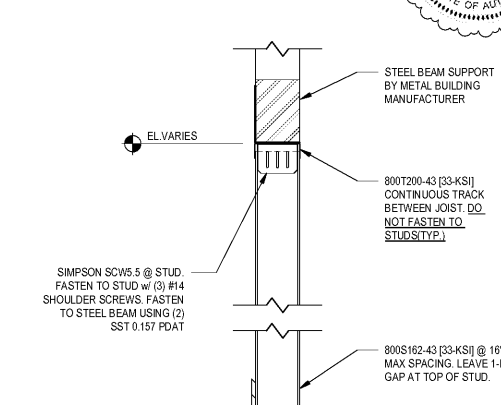
9 KNEE WALL CONNECTION
3/4" = 1'-0"



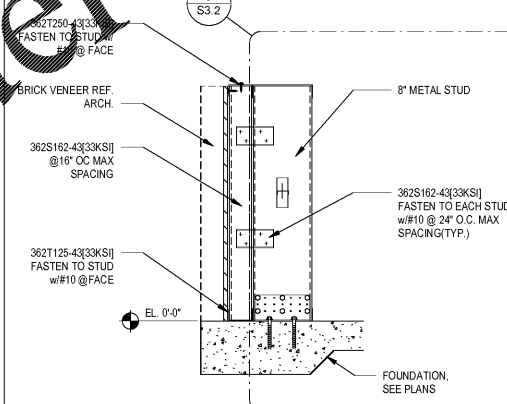
7 TYP - WINDOW HEADER TO JAMB
3/4" = 1'-0"



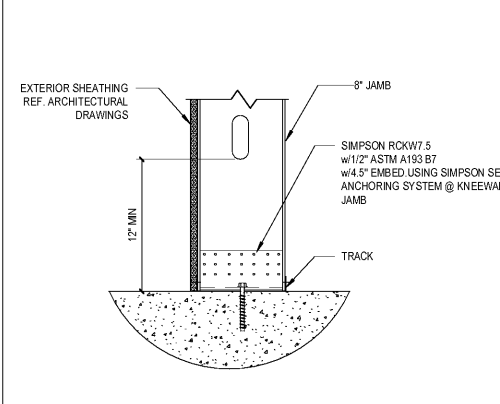
2 TYP - COLD FORM WINDOW/DOOR OPENING
1/4" = 1'-0"



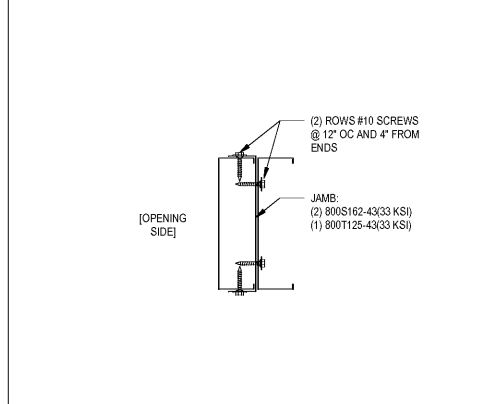
12 STORE FRONT BOX HEADER ABOVE CANOPY - JAMB SUPPORT
3" = 1'-0"



8 TYP - KNEE WALL SECTION
1" = 1'-0"



4 TYP - WINDOW OPENING BOX-HEADER
3" = 1'-0"



11 STORE FRONT KNEE WALL
1" = 1'-0"



7 TYP - CONNECTION AT DOOR JAMB
1 1/2" = 1'-0"



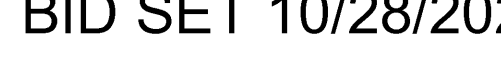
3 TYP - WINDOW/DOOR JAMB SECTION
3" = 1'-0"



15 TYP - STORE FRONT WALL BUMP-OUT ENTRANCE
1" = 1'-0"



1 TYP - INFILL WALL SECTION
1" = 1'-0"



Revision Schedule	No.	Description	Date
1	PERMIT COMMENTS RESPONSE	09-22-2020	

PROJECT NO.	DATE	DRAWN	CHECKED
2200057	07/17/2020	TM	BM

PROJECT NO. 2200057
DATE 07/17/2020
DRAWN TM
CHECKED BM

S3.2

BID SET 10/28/2020