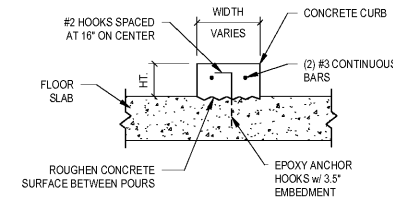


Order Plans @

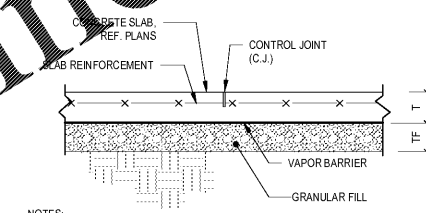
@

WWW.LDILINE.COM



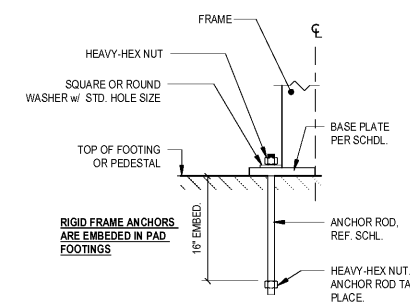
- NOTES:
- COORDINATE REQUIRED SIZE AND LOCATION OF CURB WITH ARCHITECTURAL PLANS.
  - MATCH SLAB MATERIAL REQUIREMENTS.

④ TYPICAL CONCRETE CURB DETAIL  
3/4" = 1'-0"



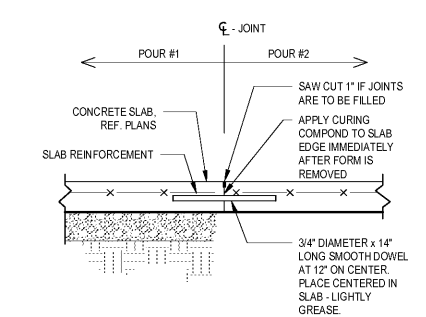
- NOTES:
- REFER TO PLANS FOR SLAB THICKNESS "T". REFER TO GEOTECHNICAL REPORT FOR GRANULAR FILL. REFERENCE SPECIFICATIONS FOR VAPOR BARRIER AND GRANULAR FILL REQUIREMENTS.
  - CONTROL JOINT SHALL BE A MINIMUM OF 1/4" WIDE AND ONE FOURTH THE SLAB DEPTH.
  - JOINTS SHOULD BE SAWS AS SOON AS THE CONCRETE IS HARD ENOUGH THAT THE SAWING DOES NOT RAVEL JOINT EDGES OR DISLODGE COARSE AGGREGATE PARTICLES.
  - CURE SLAB PER SPECIFICATION REQUIREMENTS.

③ TYPICAL SLAB / CONTROL JOINT DETAIL  
1" = 1'-0"



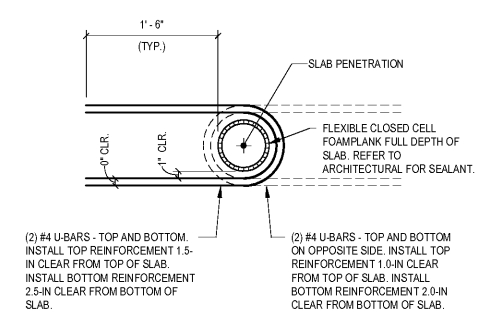
- NOTES:
- HEADED ANCHOR RODS MAY BE USED IN LIEU OF NUTTED ANCHORS AND ARE REQUIRED FOR FOOTINGS WITH LESS THAN 18" CONCRETE THICKNESS. FOR WASHER SIZE REFERENCE AISC STEEL CONSTRUCTION MANUAL, 14TH EDITION TABLE 14.2. "RECOMMENDED MAXIMUM SIZES FOR ANCHOR-ROD HOLES IN BASE PLATES".
  - SHIMS MAY BE USED IN LIEU OF SETTING NUT AND PLATE WASHERS.

⑥ ANCHOR BOLT PLACEMENT DETAIL  
1 1/2" = 1'-0"



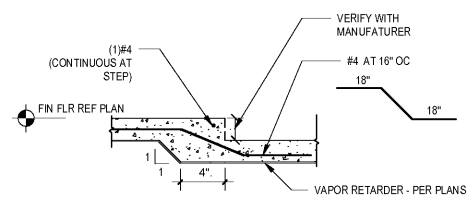
- NOTES:
- USE A DOWEL BASKET ASSEMBLY TO SUPPORT DOWELS ACROSS JOINT.
  - CONSTRUCTION JOINTS SHALL BE LOCATED AT CONTROL JOINT LOCATIONS AND NO CLOSER THAN 5-FT FROM ANY OTHER JOINT WHICH RUNS PARALLEL.

② SLAB CONSTRUCTION JOINT  
1" = 1'-0"



- NOTES:
- PENETRATION DETAIL IS FOR ROUND PENETRATIONS SUCH AS DRAINS, CLEANOUTS, PIPING, GUARD POST, CONDUIT, ETC. DETAIL IS FOR PENETRATIONS UNDER 8-IN DIAMETER.

⑤ SLAB PENETRATION DETAIL - ROUND  
1" = 1'-0"



① SLAB DEPRESSION  
3/4" = 1'-0"



1925 Prospect Ave.  
Orlando, FL 32814  
P (407) 561-9100  
F (407) 561-9101  
www.lpi.com  
Florida Chapter, License No. 12100

**Calder & Peterson**  
Architects Engineers Planners

CLIENT NAME  
**Cross Development**

PROJECT NAME  
**Caliber Collision Five Forks**  
1215 East Butler Rd.  
Greenville, SC 29607



Revision Schedule	
No.	Description
1	PERMIT COMMENTS 09-22-2020 RESPONSE

PROJECT NO. 220057	DATE 07/17/2020	DRAWN JK	CHECKED TM
-----------------------	--------------------	-------------	---------------

S3.1

SHEET TITLE  
**Foundation Details**

07/17/2020

BID SET 10/28/2020