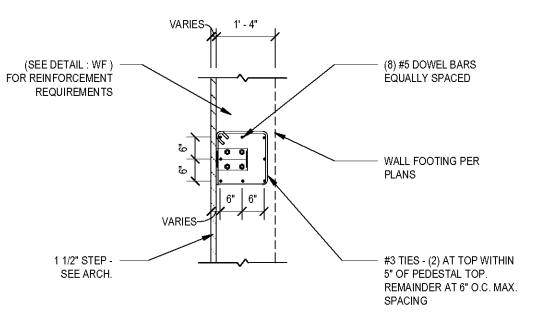
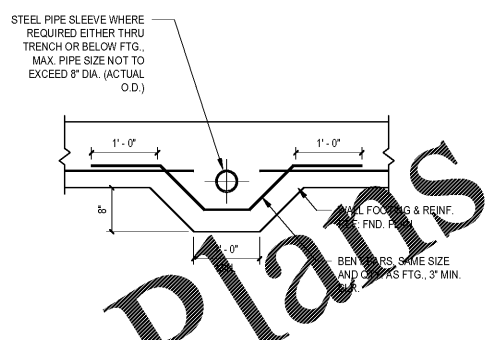


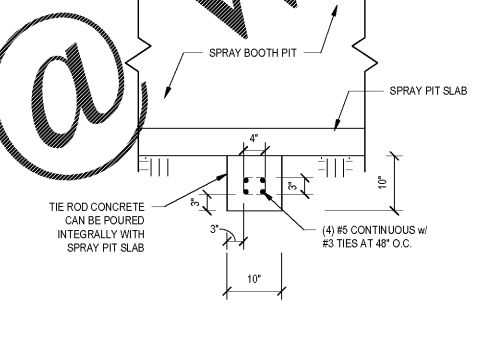
15 WF2-THICKENED EDGE COMBINED
1" = 1'-0"



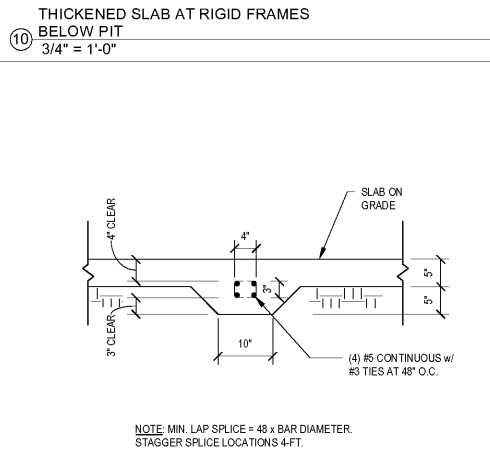
16 EXTERIOR FOUNDATION DETAIL
1/2" = 1'-0"



13 TYPICAL CONTINUITY CORNER
3/4" = 1'-0"



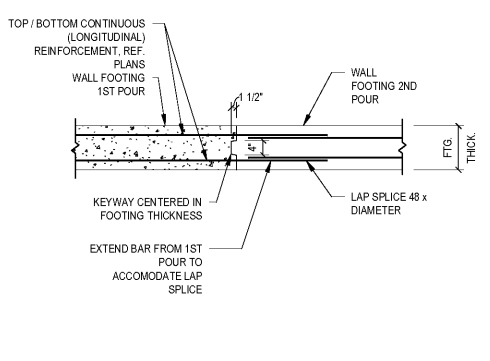
11 TYPICAL SPLICE DETAIL
3/4" = 1'-0"



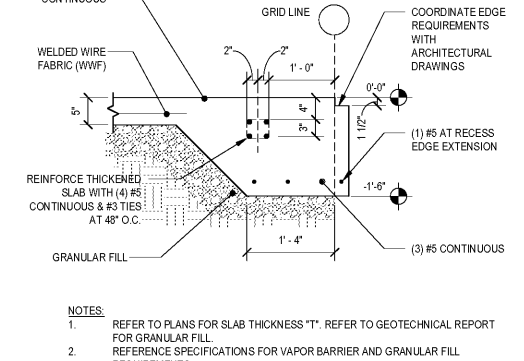
10 THICKENED SLAB AT RIGID FRAMES BELOW PIT
3/4" = 1'-0"



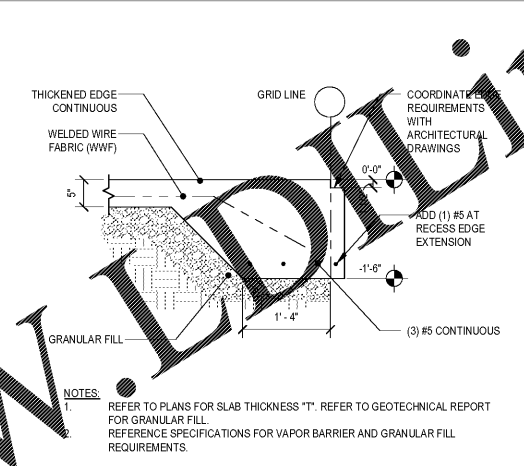
9 THICKENED SLAB AT RIGID FRAME DETAIL
3/4" = 1'-0"



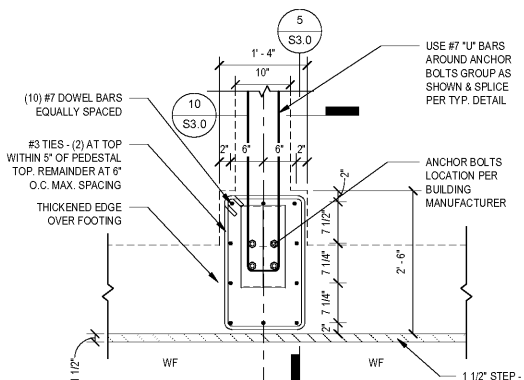
12 TYPICAL WALL FOOTING CONSTRUCTION JOINT
1/2" = 1'-0"



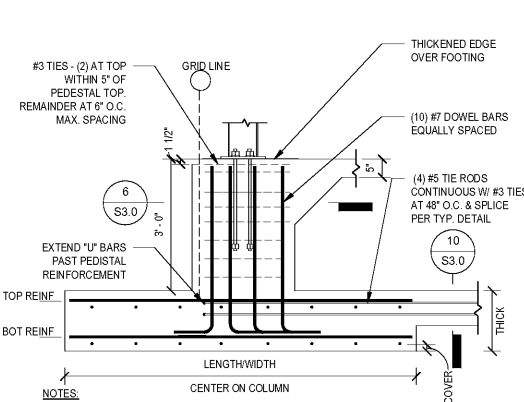
8 WF3-THICKENED EDGE FOOTING
3/4" = 1'-0"



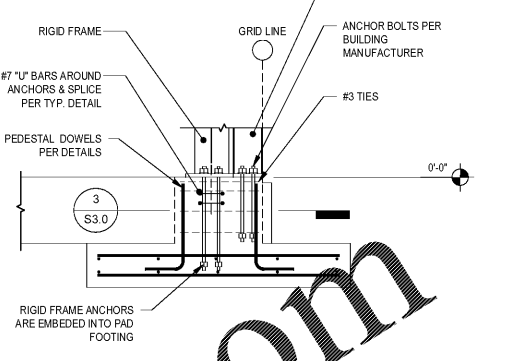
7 WF THICKENED EDGE FOOTING
3/4" = 1'-0"



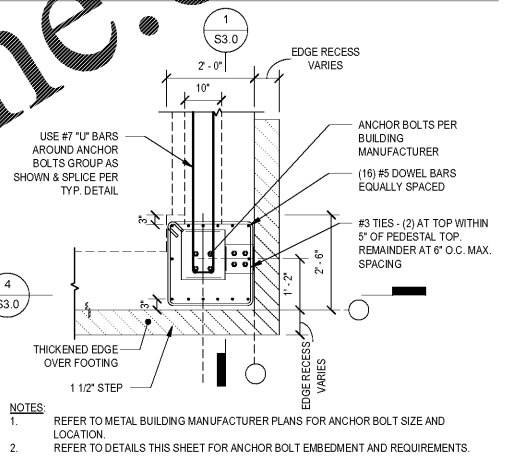
6 THICKENED EDGE FOOTING AT PAINT BOOTHS
3/4" = 1'-0"



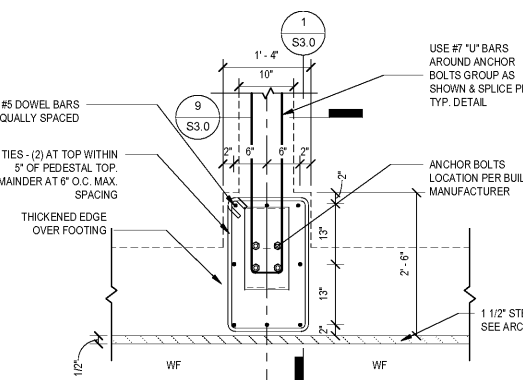
5 THICKENED EDGE FOOTING AT PAINT BOOTHS FOUNDATION
1/2" = 1'-0"



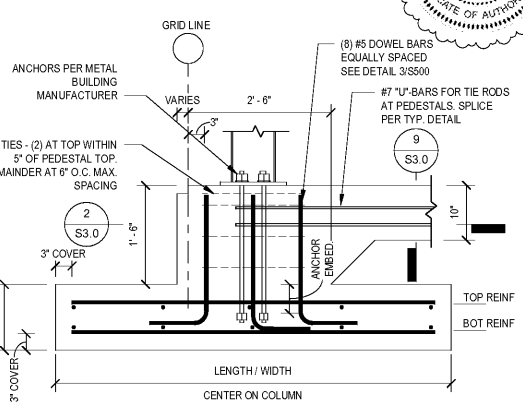
4 CORNER FOUNDATION SECTION
1/2" = 1'-0"



3 CORNER FOUNDATION DETAIL TYP.
1/2" = 1'-0"



2 RIGID FRAME FOUNDATION TYP.
3/4" = 1'-0"



1 TYP. FOOTING AT RIGID FRAMES-SECTION
3/4" = 1'-0"

Order Plans

@ WWW.LDLINE.COM

WWW.LDLINE.COM

1925 Prospect Ave.
Orlando, FL 32814
P: (407) 661-9100
F: (407) 661-9101
www.ldline.com
Florida Professional Seal No. 12789

LDLINE
Architects & Engineers

CLIENT NAME
Cross Development

PROJECT NAME
Caliber Collision Five Forks

1215 East Butler Rd.
Greenville, SC 29607

SHEET TITLE
Foundation Details

SOUTH CAROLINA
REGISTERED PROFESSIONAL ENGINEER
No. 25021
WILLIAM S. MATTHEWS

Revision Schedule	No.	Description	Date
1	PERMIT COMMENTS RESPONSE	09-22-2020	07/17/2020

PROJECT NO.	DATE	DRAWN	CHECKED
220057	07/17/2020	JK	TM

S3.0

BID SET 10/28/2020